



# A-Shape LED

## 9.5A19/AMB/827-22/DIM 120V 6/1

Philips A-shape Dimmable LED lamps are the smart LED alternative to standard incandescents. The unique lamp design provides omi-directional light with excellent dimming performance.

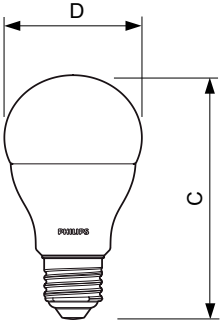
### Product data

General Information	
Base	E26 [ Single Contact Medium Screw]
Nominal Lifetime (Nom)	25000 h
Switching Cycle	50000X
Technical Type	9.5-60W
Light Technical	
Color Code	822-827 [ tunable warm white]
Initial lumen (Nom)	800 lm
Luminous Flux (Rated) (Nom)	800 lm
Color Designation	Warm Glow(WG)
Correlated Color Temperature (Nom)	2200-2700 K
Luminous Efficacy (rated) (Nom)	84.21 lm/W
Color Consistency	ANSI
Color Rendering Index (Nom)	80
LLMF At End Of Nominal Lifetime (Nom)	70 %
Operating and Electrical	
Input Frequency	60 Hz
Power (Rated) (Nom)	9.5 W
Lamp Current (Nom)	105 mA
Starting Time (Nom)	0.5 s
Warm Up Time to 60% Light (Nom)	0.5 s
Power Factor (Nom)	0.7

Voltage (Nom)	120 V
Temperature	
T-Case Maximum (Nom)	95 °C
Controls and Dimming	
Dimmable	Yes
Mechanical and Housing	
Bulb Finish	Frosted (FR)
Approval and Application	
Suitable For Accent Lighting	Yes
Product Data	
Order product name	9.5A19/AMB/822-827 DIM 120V
EAN/UPC - Product	046677455828
Order code	455824
Numerator - Quantity Per Pack	1
Numerator - Packs per outer box	6
Material Nr. (12NC)	929001184004
Net Weight (Piece)	0.084 kg

# A-Shape LED

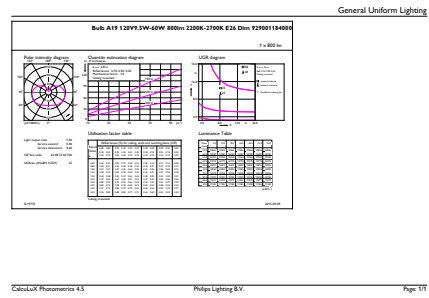
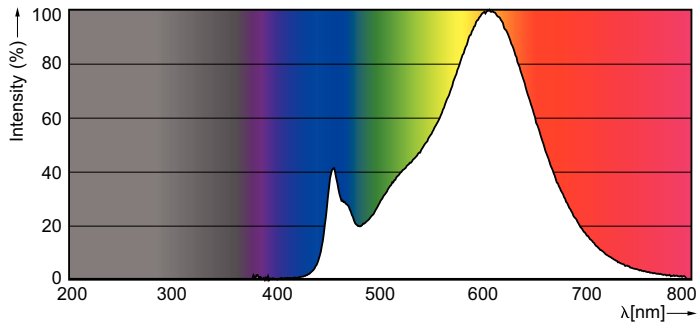
## Dimensional drawing



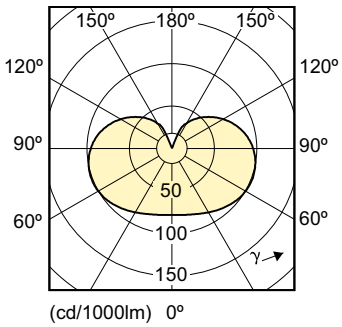
Bulb A19 120V 9.5W-60W 800lm 2700K E26 D

Product	D	C
9.5A19/AMB/822-827 DIM 120V	61.4 mm	109.8 mm

## Photometric data



LEDlamps, A19 9.5W-60W 2200-2700K 800lm



## A-Shape LED

