

INSTALLATION INSTRUCTIONS

Floor box, stamped steel and cast iron

664-SC, 664-S and 664-CI

Steel City®


Caution:

- Product should be installed by a qualified electrician in accordance with national and local electrical codes.


Warning:

- Risk of shock, disconnect power before installation.

This floor box is semi adjustable and must be adjusted prior to the concrete pour to meet final floor finish requirements. An additional 3/4" adjustment is available when installing the cover.

1. Install leveling screws supplied and place box on firm support. (Figure 1).
2. Attach conduit in appropriate K.O. or tapped holes as required to meet wiring needs.


Caution:

- When using the center K.O.'s, the device panels must be installed prior to the conduit.

3. Level floor box to desired height using leveling screws and secure to form or ground.
4. Ensure temporary concrete cover is securely in place prior to pour.



Important

Read and understand all instructions and safety information before use. Be aware of proper usage and potential hazards.

ACTIVATION:

1. Locate box in concrete and remove any concrete covering cap.
2. Remove concrete cover to expose inside of box.
3. Attach device(s) to selected panel(s), please see catalog for available panels, and install panel(s) in box.
4. Install all wiring and devices in accordance with National Electric Code and all local codes.
5. Attach 664-CST cover (ordered separately).

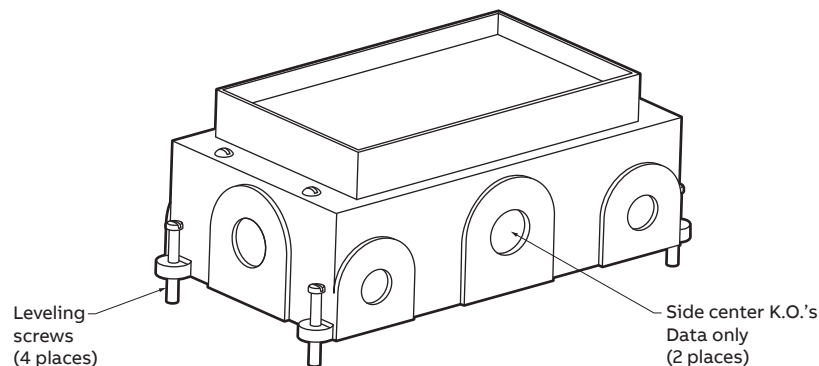


Figure 1