

A-Shape LED

10A19/LED/827-22/CL/DIM 120V

Philips A-shape Dimmable LED lamps are the smart LED alternative to standard incandescents. The unique lamp design provides omi-directional light with excellent dimming performance.

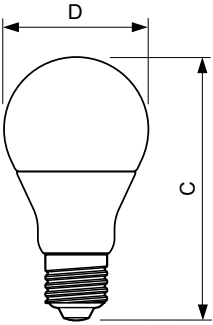
Product data

General Information		Power Factor (Nom)	
Base	E26 [Single Contact Medium Screw]		0.7
EU RoHS compliant	Yes	Voltage (Nom)	120 V
Nominal Lifetime (Nom)	25000 h	Temperature	
Switching Cycle	50000X	T-Case Maximum (Nom)	95 °C
Technical Type	10-60 W	Controls and Dimming	
Light Technical		Dimmable	Yes
Color Code	822-827 [tunable warm white]	Mechanical and Housing	
Initial lumen (Nom)	800 lm	Bulb Finish	Clear
Color Designation	Warm Glow(WG)	Approval and Application	
Correlated Color Temperature (Nom)	- K	Energy Efficiency Label (EEL)	Not applicable
Luminous Efficacy (rated) (Nom)	80.00 lm/W	Energy Saving Product	Yes
Color Consistency	ANSI 2700K	Suitable For Accent Lighting	No
Color Rendering Index (Nom)	80	Energy Consumption kWh/1000 h	10 kWh
LLMF At End Of Nominal Lifetime (Nom)	70 %	Energy Certifications	Energy Star
Operating and Electrical		Product Data	
Input Frequency	60 Hz	Order product name	10A19/LED/827-22/CL/DIM 120V
Power (Rated) (Nom)	10 W	EAN/UPC - Product	046677462536
Lamp Current (Nom)	95 mA	Order code	462531
Wattage Equivalent	60 W	Numerator - Quantity Per Pack	1
Starting Time (Nom)	0.5 s		
Warm Up Time to 60% Light (Nom)	0.5 s		

A-Shape LED

Numerator - Packs per outer box	10
Material Nr. (12NC)	929001214904
Net Weight (Piece)	0.076 kg

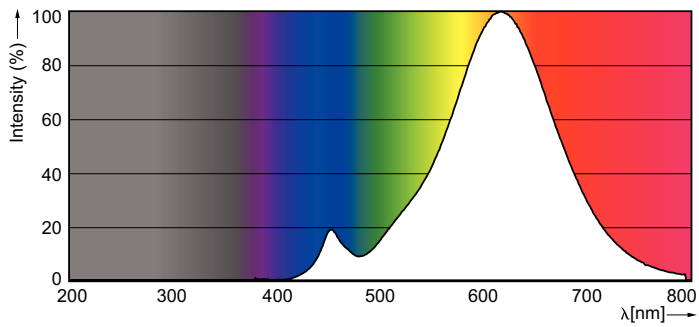
Dimensional drawing



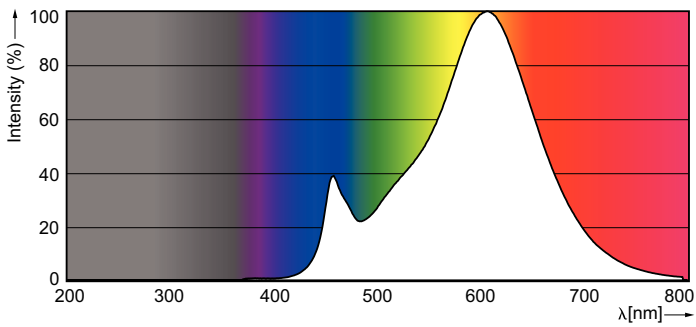
SS Clear Bulb A19 CL 9W-60W 800lm 330D E26D

Product	D	C
10A19/LED/827-22/CL/DIM 120V	62 mm	111 mm

Photometric data



Scene Switch Bulb 9.5W-60W A19 2200K 120V ND



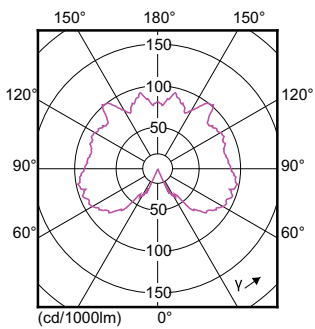
LED 827 CL

General Uniform Lighting

Bulb: 10.Dw 2700K E26A19 9290012149
1 x 800lm

This block contains detailed photometric data for the LEDBulb 9-60W A19 E26 800lm CL. It includes a beam angle diagram showing a beam diameter of 1000mm at 1500mm distance. A CRI graph shows a CRI of 90. A table lists luminous flux values for different beam angles and distances. The document footer includes 'Catalux Photonics 4.5', 'Philips Lighting B.V.', and 'Page 3/7'.

LEDBulb 9-60W A19 E26 800lm CL



LEDBulb 9-60W A19 E26 800lm CL

A-Shape LED

