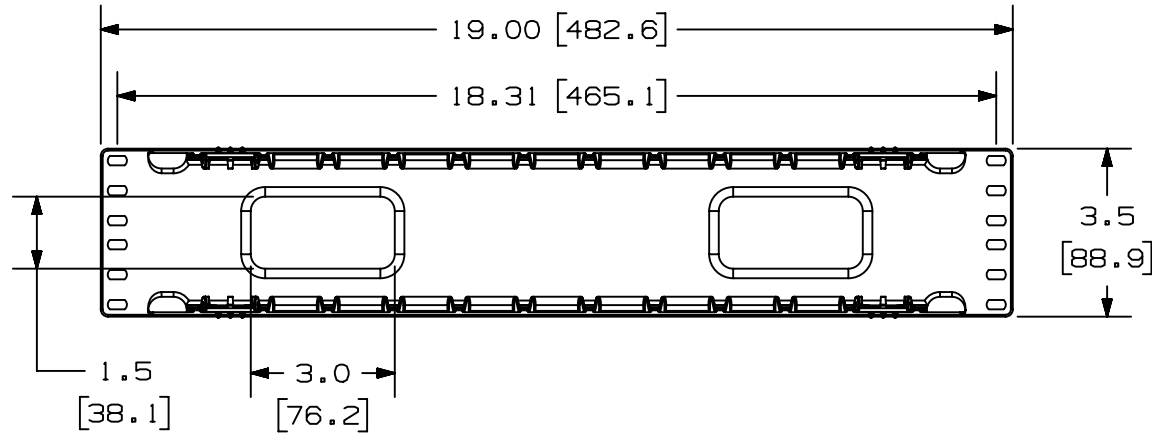


2

1

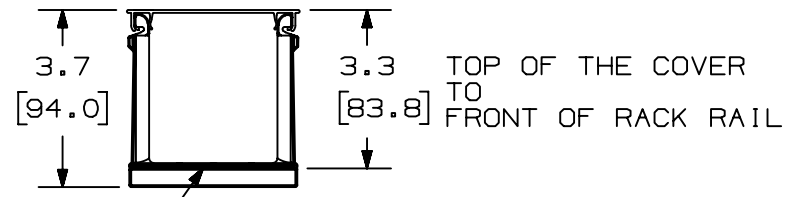
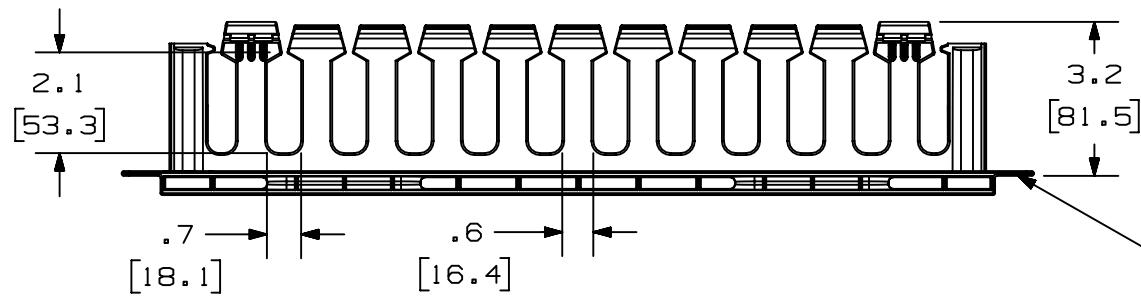
THIS COPY IS PROVIDED ON A RESTRICTED BASIS AND IS NOT TO BE USED IN ANY WAY DETRIMENTAL TO THE INTERESTS OF PANDUIT CORP.



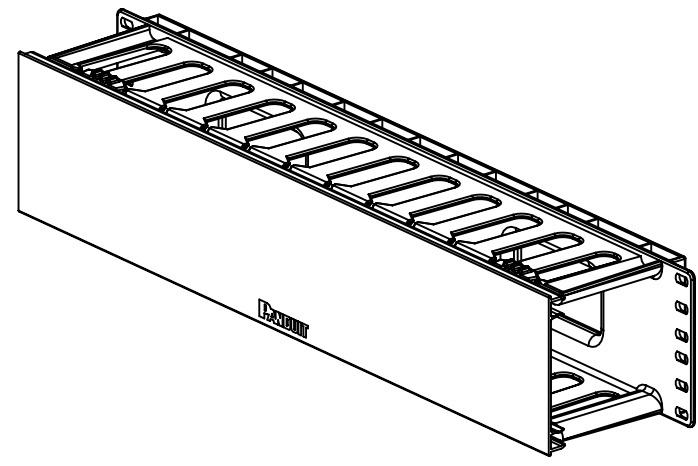
PANDUIT P/N	WEIGHT
WMPF1E	1.2 lbs/EACH 544 g/EACH

- NOTES:
- DESIGNED FOR MOUNTING ON 19" EIA RACKS.
 - COMPONENTS:
1- MANAGER
1- 17" X 3.6" DUAL HINGED COVER
4- #12-24 X 1/2" SCREWS
 - DIMENSIONS IN PARENTHESES ARE METRIC.

MAX STORAGE TEMPERATURE 65 C (149 F)
MAX OPERATING TEMPERATURE 60 C (140 F)



SURFACE IN CONTACT WITH FRONT OF THE RACK RAIL



TITLE										
WMPF1E HORIZONTAL MANAGER										
CUSTOMER DRAWING										
ITEM REVISION NAME					V10101AB/10					
DATASET FILE NAME					V10101AB_DC/10A					
					THIRD ANGLE PROJECTION					
MATERIAL					ABS					
					DRAWING NUMBER					
					V10101AB-DC					
10A	3-23-23	JBO	KRKE	KCOR	UPDATED COVER TO SHOW CURRENT LOGO	M09000SE				
REV	DATE	BY	CHK	APR	DESCRIPTION	ECN	DRAWN BY	DATE	CHK	SCALE
							JDWE	12-17-02	MECA	NONE
SHEET 1 OF 1										
A										

A-SIZE CUSTOMER

2

1