

## Individual Spec Sheet

# L3CBA GEN. 2

## LED RECESSED CENTER BASKET 3 CCT AND 3 POWER SELECTABLE

### ORDERING INFORMATION

**Order code:** 69163  
**Model number:** L3CBA-4LPS45P-Q/3C  
**UPC:** 069549025035  
**Case quantity:** 2  
**DLC unique ID:** S-3IMJBY

### PHYSICAL DATA

**Dimensions:** 2'X4'  
**Diffuser material:** PMMA  
**Housing material:** Steel  
**Mounting:** Recessed inverted T-Bar ceilings

### PERFORMANCE DATA

**Watts (W):** 34/38/45  
**Volts (VAC):** 120-347  
**Color temperature (K)<sup>1</sup>:** 3 500/4 000/5 000  
**Lumen output (lm)<sup>2</sup>:** 4 794/5 244/6 075  
**Efficiency (lm/W):** 125  
**CRI:** 80+  
**Life L70 (h)<sup>3</sup>:** 189 000  
**Dimming:** 0-10V  
**Power factor:** 0.90  
**THD (%):** 10  
**Operating temp. range:** -25 °C to 55 °C (-13 °F to 131 °F)

<sup>1</sup> Typical colour temperature range: +/- 5 %  
<sup>2</sup> Lumen values are derived from photometric testing. Initial lumens range: +/- 10 %  
<sup>3</sup> Life hours are derived from IESNA LM80-08 testing report and projected per IESNA TM-21-11 extrapolations

### LUMEN SPECIFICATION TABLE

Order code	Model number	Watts (W)	3 500 K		4 000 K		5 000 K	
			Lumen output (lm)	Efficacy (lm/W)	Lumen output (lm)	Efficacy (lm/W)	Lumen output (lm)	Efficacy (lm/W)
69163	L3CBA-4LPS45P-Q/3C	34	4 760	140	4 794	141	4 828	142
		38	5 206	137	5 244	138	5 282	139
		45	6 030	134	6 075	135	6 120	136

**DEFAULT PROGRAMMING**  
45 W / 4 000 K

This lighting equipment complies with Canadian standard ICES-005 for use in commercial applications. Data is based upon tests performed in a controlled environment. Actual performance can vary depending on operating conditions. Specifications are subject to change without notice.



3  
CCT TCC  
3 500/4 000/5 000 K

W  
power  
selectable

5  
yrs  
warranty

quick  
ship

LED  
fixture

dimmmable  
fixture

6  
damp  
location

IC  
rated

ICES  
005

DLC  
LISTED  
PREMIUM

UL  
CERTIFIED

**COMPATIBLE ACCESSORIES**

Part number	Type	Compatible with
CAS905-2X4	Surface mount kit 2'X4'	2'X4'
63491	Dry wall kit for 2'X4'	2'X4'

**COMPATIBLE DIMMERS**

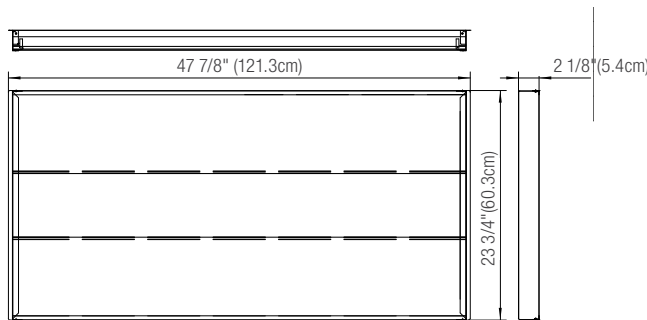
Brand	Model number
Lutron	DVTV-WH, NTSTV-DV, NFTV
Leviton	DS710, IP710
Legrand	RH4FBL3PW

Dimming range 10%-100%.

Note: The above table shows dimmers that have been tested and have demonstrated proper operation under normal conditions. Each installation being unique, various factors such as load, common neutrals or other electrical products on the circuit can, in certain instances, cause variance in system performance. Read and comply to the dimmer installation instructions. Consult dimming system manufacturer for additional support in operation. Stanpro recommends to use dimmers designed to work with LED products. Older dimmers designed for incandescent products may cause erratic operation. Some dimmers may require more than one product for stable operation. The maximum number of products is determined by the dimmer wattage rating with LEDs. Be careful, these dimmers have different ratings depending on the product type. Again, refer to the dimmer installation instructions.

**DIMENSIONS**

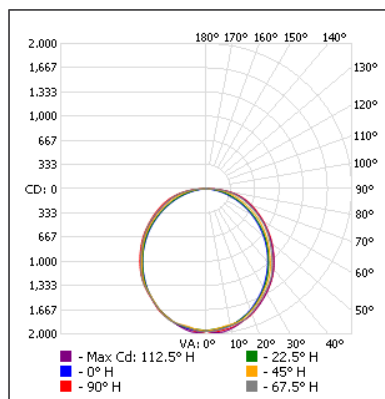
2'X4'



**PHOTOMETRIC DATA<sup>1</sup>**

69163 • L3CBA-4LPS45P-Q/3C • 45 W • 3 500 K • 5 584.1 lm

**Polar candela distribution**



**Zonal lumen summary**

Zone	Lumens	% Fixture
0-30	1 503.0	26.9
0-40	2 443.5	43.8
0-60	4 274.6	76.5
60-90	1 290.6	23.1
70-100	617.4	11.1
90-120	8.4	0.2
0-90	5 565.2	99.7
90-180	18.9	0.3
0-180	5 584.1	100

**Illuminance at a distance**

Center beam fc		Beam width	
2.0'	489.4	5.2'	6.1'
4.0'	122.4	10.3'	12.1'
6.0'	54.4	15.5'	18.2'
8.0'	30.6	20.7'	24.2'
10.0'	19.6	25.8'	30.3'

■ Vert. spread: 104.5°  
■ Horiz. spread: 113.1°

<sup>1</sup> Complete IES files available on our website.

Qty	Description	Price

I accept the specifications of the luminaire configuration mentioned above.

Name: \_\_\_\_\_  
 Company: \_\_\_\_\_  
 Signature: \_\_\_\_\_

Date: \_\_\_\_\_

Data is based upon tests performed in a controlled environment. Actual performance can vary depending on operating conditions. All products are subject to change or may be discontinued any time without notice.