



# WL-LED26

## Outdoor Wall Light



**Colour Selectable**

3K 4K 5K

**REPLACES 70W HPS**

### IDEAL APPLICATIONS

- Townhouses
- Strip Malls
- Entrances/Exits
- Building Perimeters
- Man Doors
- Loading Areas

### DESCRIPTION:

The WL-LED 26 is a compact, easy to install, and affordable wall light that is an ideal replacement for 70W HPS wall packs. This color selectable unit is a great security lighting option for building entrances and perimeters, loading areas, walkways, and exit doors.

### FEATURES:

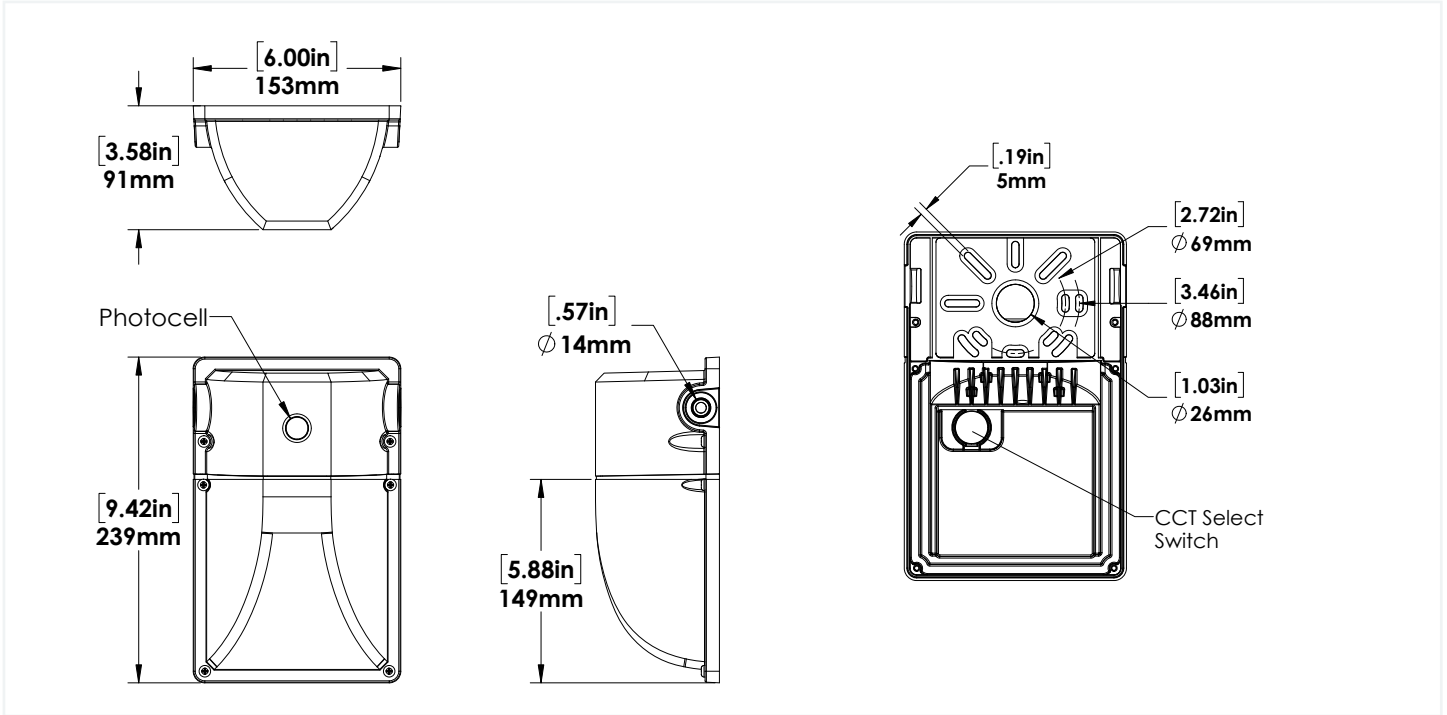
- Die cast aluminum back plate with polycarbonate front.
- Clear, ribbed polycarbonate lens that creates a bright, wide spread illumination.
- Similar footprint to a 70W HPS wall pack.
- CCT Select Unit - Choose between 3000K/4000K/5000K using a switch that is located behind a rubber plug on the back plate.
- Electronic photocell included with fixture for dusk to dawn operation. Photocell can be disconnected during installation if needed.
- Quick and easy to install – Front cover can be hung on to the back plate with an attached aircraft cable allowing Installer to use both hands for wiring.
- Two 1/2" knockouts for conduit entries (1 on each side) and one 1" knockout on the back plate facilitates daisy chaining of fixtures.

SPECIFICATIONS*	WL-LED26
Power	25.56W
Lumens	3317.93 Lm
Efficacy	129.8 Lm/W
Voltage	120-277V
CCT	Colour Selectable (3000K/4000K**/5000K
CRI	77.3
Dimming	0-10V Dim to Off
THD	9.4%
PF	0.99
LED Life (L80)	>54000 Hours
Housing Finish	Bronze
Housing Details	Die Cast Aluminum
Lens Details	Clear Ribbed Polycarbonate Lens
Mounting	Wall Mount
Number of Conduit Entries	Two 1/2" Side knockouts, One 1" Conduit on the back
B-U-G	B1-U3-G2
Surge Protection	2.5kV
Operating Temp.	-40°C to +40°C (-40°F to 104°F)
Certifications	cETLus certified per UL1598 & CSA C22.2 NO. 250.0:21, Wet Location, IP65, 5 Year Warranty, DLC 5.1

\* Specs shown are for 120V/4000K  
 \*\* Default factory setting is at 4000K

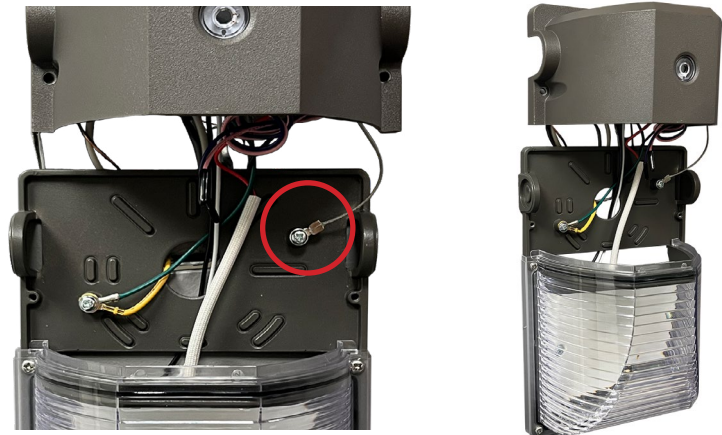


## DIMENSIONS:



## EASY INSTALLATION

Front cover can be hung on to the back plate with an attached aircraft cable allowing installer to use both hands for wiring.



**AMPERAGE DRAW & SURGE PROTECTION**

	CURRENT (A)				SURGE PROTECTION (kV)
	120V	208V	240V	277V	120-277V
WL-LED26	0.23A	0.14A	0.12A	0.10A	2.5kV

