

Project: _____ Type: _____

Drawn by: _____ Catalogue #: _____ Date: _____

Individual Spec Sheet

WJM GEN 2

LED JAM JAR

ORDERING INFORMATION

Order code: 69561
Model number: WJM-PS20A-Q-3C-GY
UPC: 069549027688
Case quantity: 1

PHYSICAL DATA

Lens Material: Glass Frosted lens
Housing Material: Aluminum Die Cast
Mounting: 3 in 1 mounting type (ceiling, wall and threaded conduit)
¹ Not provided by factory

PERFORMANCE DATA

Watts (W): 10/21
Volts (V AC): 120 - 347
Color temperature (K):¹ 3 000/4 000/5 000
Lumen output (lm):² 2 500
Efficacy (lm/W): 128
CRI: 80
Life L70 (h):³ 50 000
Tested LM-80 (h):³ 9 000
Dimming: Yes
Power factor: >0.90
THD (%): ≤20
Frequency (Hz): 50/60
Surge protection (kV): 6
Input current (A): 0.2
Operating temp. range: -40°C to 40°C (-40°F to 104°F)

¹ Typical color temperature range: +/- 5 %.

² Lumen values are based on 4 000 K default programming. Please refer to the LUMEN SPECIFICATION TABLE for more details on other color temperatures.

³ Life hours are derived from IESNA LM80-08 testing report and projected per IESNA TM-21-11 extrapolations.

LUMEN SPECIFICATION TABLE

Order code	Model number	Watts (W)	3 000 K			4 000 K			5 000 K		
			Lumen output (lm)	Efficacy (lm/W)	LED Current (mA)	Lumen output (lm)	Efficacy (lm/W)	LED Current (mA)	Lumen output (lm)	Efficacy (lm/W)	LED Current (mA)
69561	WJM-PS20A-Q-3C-GY	10	1 206	121	0.18	1 253	125	0.18	1 268	64	0.18
		21	2 393	120	0.18	2 500	125	0.18	2 464	123	0.18

DEFAULT PROGRAMMING

21 W/4 000 K



Wall Mount



This lighting equipment meets requirements of ICES-005 issue 5 class B for use in residential applications. Data is based upon tests performed in a controlled environment. Actual performance can vary depending on operating conditions. Specifications are subject to change without notice.

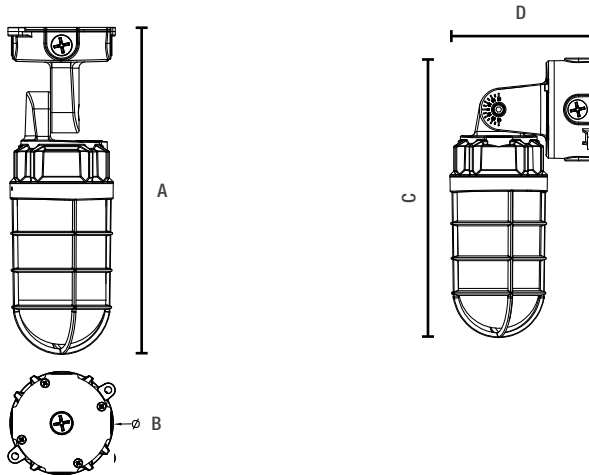
COMPATIBLE DIMMERS¹

Brand	Model number
Legrand	RH4FBL3PTC
Lutron	NTSTV-DV, DVSTV
Leviton	IP 710

Dimming range: 10%-100%

¹ This table shows dimmers that have been tested and have demonstrated proper operation under normal conditions. Each installation being unique, various factors such as load, common neutrals or other electrical products on the circuit can, in certain instances, cause variance in system performance. Read and comply to the dimmer installation instructions. Consult dimming system manufacturer for additional support in operation. Some dimmers may require more than one product for stable operation. Stanpro recommends to use dimmers designed to work with LED products. Older dimmers designed for incandescent products may cause erratic operation.

DIMENSIONS AND WEIGHTS

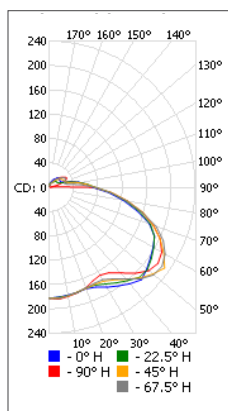


A in. (cm)	13.15 (33.4)
B in. (cm)	4.27 (10.85)
C in. (cm)	11.5 (29.2)
D in. (cm)	5.83 (14.8)
Net weight (lbs)	2.2

PHOTOMETRIC DATA¹

69561 • WJM-PS20A-Q-3C-GY • 10W • 4000 K • 1 253 lm

Polar candela distribution



Zonal lumen summary

Zone	Lumens	% Fixture
0-30	149.0	11.9
0-40	266.3	21.3
0-60	619.8	49.5
60-90	468.6	37.4
70-100	333.1	26.6
90-120	115.3	9.2
0-90	1 088.5	86.9
90-180	164.2	13.1
0-180	1 252.7	100

Illuminance at a distance

Center beam fc		Beam width	
1.7'	62.7	21.7'	18.7'
3.3'	16.6	42.1'	36.3'
5.0'	7.25	63.8'	55.1'
6.7'	4.04	85.5'	73.8'
8.3'	2.63	105.9'	91.4'
10.0'	1.81	127.6'	110.1'

■ Vert. spread: 162.2°
■ Horiz. spread: 159.4°

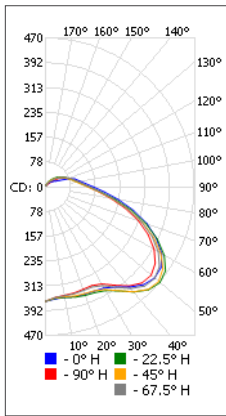
¹ Complete IES files available on our website.

Data is based upon tests performed in a controlled environment. Actual performance can vary depending on operating conditions. All products are subject to change or may be discontinued any time without notice. Please contact your Stanpro customer service representative to confirm inventory levels at time of order.

PHOTOMETRIC DATA¹

69561 • WJM-PS20A-Q-3C-GY • 21W • 4000 K • 2 500 lm

Polar candela distribution



Zonal lumen summary

Zone	Lumens	% Fixture
0-30	300.3	12
0-40	548.1	21.9
0-60	1 286.5	51.4
60-90	845.2	33.8
70-100	602.4	24.1
90-120	285.5	11.4
0-90	2 131.7	85.2
90-180	369.0	14.8
0-180	2 500.7	100

Illuminance at a distance

Center beam fc		Beam width	
1.7'	125	16.7'	10.3'
3.3'	33.1	32.4'	20.0'
5.0'	14.4	49.1'	30.3'
6.7'	8.02	65.8'	40.6'
8.3'	5.23	81.5'	50.3'
10.0'	3.60	98.2'	60.6'

■ Vert. spread: 157.0°
■ Horiz. spread: 143.5°

¹ Complete IES files available on our website.

Qty	Description	Price

I accept the specifications of the luminaire configuration mentioned above.

Name: _____

Company: _____

Signature: _____

Date: _____

Data is based upon tests performed in a controlled environment. Actual performance can vary depending on operating conditions. All products are subject to change or may be discontinued any time without notice. Please contact your Stanpro customer service representative to confirm inventory levels at time of order.