

Box terminal TS1.2 3 units 10 AWG...3/0 w. control wire volt. tap-off 3 units accessories for: 3VA6 150/250



Model	
product brand name	SENTRON
product designation	accessories
design of the product	box terminal with voltage tap 3 items
accessories	Box terminal
General technical data	
designation / of the terminal	TS1.2
type of electrical connection / with control wire tap	Yes
Connections according IEC	
connectable conductor cross-section	
<ul style="list-style-type: none"> for copper cable / stranded / minimum 	6 mm ²
<ul style="list-style-type: none"> for copper cable / stranded / maximum 	120 mm ²
stripped length	19 mm
tightening torque / when using copper cables	
<ul style="list-style-type: none"> solid 	6 - 16 mm ² : 6 Nm
<ul style="list-style-type: none"> stranded 	6 - 25 mm ² : 6Nm 35 - 120 mm ² : 10 Nm
<ul style="list-style-type: none"> finely stranded 	10 - 25 mm ² : 6 Nm 35 - 95 mm ² : 10Nm
Connections according UL	
stripped length	0.75 in
connectable conductor cross-section	
<ul style="list-style-type: none"> for copper cable / solid / minimum 	10 AWG
<ul style="list-style-type: none"> for copper cable / solid / maximum 	10 AWG
<ul style="list-style-type: none"> for copper cable / stranded / minimum 	10 AWG
<ul style="list-style-type: none"> for copper cable / stranded / maximum 	3/0 AWG
<ul style="list-style-type: none"> for copper cable / finely stranded / minimum 	10 AWG
<ul style="list-style-type: none"> for copper cable / finely stranded / maximum 	3/0 AWG
tightening torque / when using copper cables	
<ul style="list-style-type: none"> solid 	10 AWG: 105 lb-in
<ul style="list-style-type: none"> stranded 	10 - 4 AWG: 105 lb-in 3 - 3/0 AWG: 140 lb-in
<ul style="list-style-type: none"> finely stranded 	10 - 4 AWG: 105 lb-in 3 - 3/0 AWG: 140 lb-in

Further information

Siemens has decided to exit the Russian market (see here).

<https://press.siemens.com/global/en/pressrelease/siemens-wind-down-russian-business>

Siemens is working on the renewal of the current EAC certificates.

Please contact your local Siemens office on the status of validity of the EAC certification if you intend to import or offer to supply these products to an EAC relevant market (other than the sanctioned EAEU member states Russia or Belarus).

Information on the packaging

<https://support.industry.siemens.com/cs/ww/en/view/109813875>

Information- and Downloadcenter (Catalogs, Brochures,...)

<http://www.siemens.com/lowvoltage/catalogs>

Industry Mall (Online ordering system)

<https://mall.industry.siemens.com/mall/en/en/Catalog/product?mifb=3VA9143-0JH12>

Service&Support (Manuals, Certificates, Characteristics, FAQs,...)

<https://support.industry.siemens.com/cs/ww/en/ps/3VA9143-0JH12>

Image database (product images, 2D dimension drawings, 3D models, device circuit diagrams, ...)

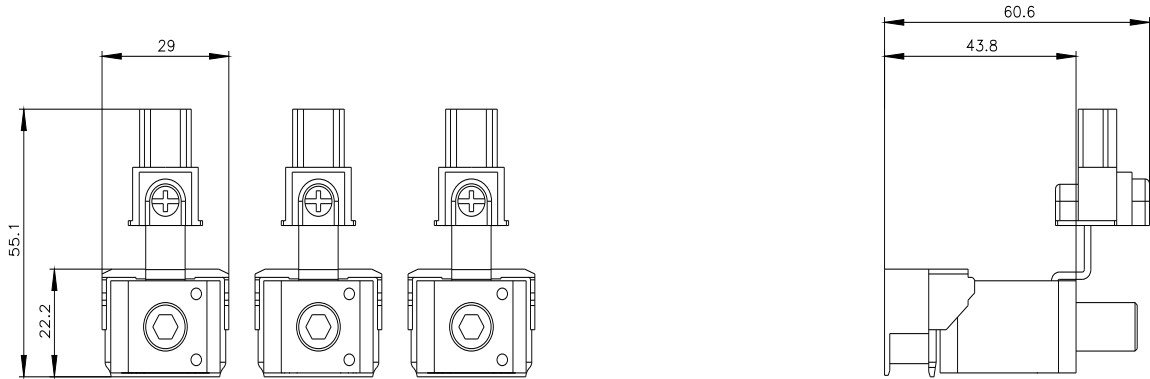
http://www.automation.siemens.com/bilddb/cax_en.aspx?mlfb=3VA9143-0JH12

CAX-Online-Generator

<http://www.siemens.com/cax>

Tender specifications

<http://www.siemens.com/specifications>



last modified:

8/19/2022 

