

rotary operator with shaft stub for 8UC retrofit accessory for: 3VA5 125

Model	
product brand name	SENTRON
product designation	Accessories
design of the product	Rotary operating mechanisms with shaft stub
accessories	Rotary operator with shaft stub
Mechanical Design	
height	70 mm
width	77 mm
Further information	

Siemens has decided to exit the Russian market (see here).  
<https://press.siemens.com/global/en/pressrelease/siemens-wind-down-russian-business>

Siemens is working on the renewal of the current EAC certificates.  
 Please contact your local Siemens office on the status of validity of the EAC certification if you intend to import or offer to supply these products to an EAC relevant market (other than the sanctioned EAEU member states Russia or Belarus).

Information on the packaging  
<https://support.industry.siemens.com/cs/ww/en/view/109813875>

Information- and Downloadcenter (Catalogs, Brochures,...)  
<http://www.siemens.com/lowvoltage/catalogs>

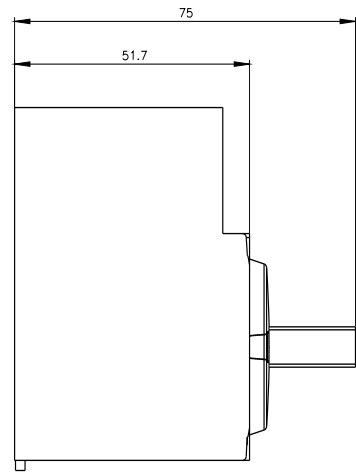
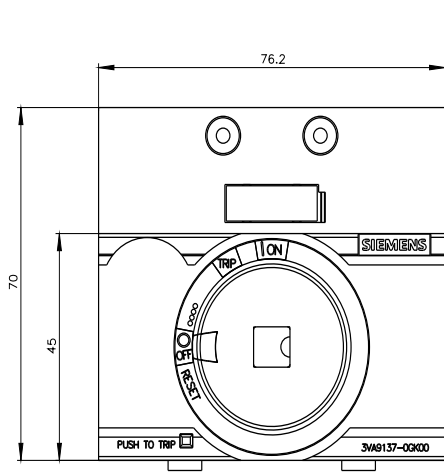
Industry Mall (Online ordering system)  
<https://mall.industry.siemens.com/mall/en/en/Catalog/product?mlfb=3VA9137-0GK00>

Service&Support (Manuals, Certificates, Characteristics, FAQs,...)  
<https://support.industry.siemens.com/cs/ww/en/ps/3VA9137-0GK00>

Image database (product images, 2D dimension drawings, 3D models, device circuit diagrams, ...)  
[http://www.automation.siemens.com/bilddb/cax\\_en.aspx?mlfb=3VA9137-0GK00](http://www.automation.siemens.com/bilddb/cax_en.aspx?mlfb=3VA9137-0GK00)

CAX-Online-Generator  
<http://www.siemens.com/cax>

Tender specifications  
<http://www.siemens.com/specifications>



last modified:

12/20/2020 

