

Project: \_\_\_\_\_ Type: \_\_\_\_\_

Drawn by: \_\_\_\_\_ Catalogue #: \_\_\_\_\_ Date: \_\_\_\_\_

## Individual Spec Sheet

# GIMBAL HIGH OUTPUT LED GIMBAL DOWNLIGHT 3.5"

### ORDERING INFORMATION

**Order code:** 67812  
**Model number:** DL/GIMBAL/RND/12W/40K/WH/STD  
**UPC:** 069549678125  
**Case quantity:** 24

### PHYSICAL DATA

**Size in (cm):** 4 1/2" x 2 1/2" (11.5 x 6.45 cm)  
**Shape:** Round  
**Finish:** White  
**Lens type:** Clear Polycarbonate  
**Mounting:** Recessed

### PERFORMANCE DATA

**Watts (W):** 12  
**Volts (VAC):** 120  
**Colour temperature (K):** 4 000  
**Lumen output (lm):** 950  
**Lumen per Watts (lm/W):** 79  
**CRI:** 90+  
**Life L70 (h):** 50 000  
**Beam angle (°):** 40  
**Environment:** Wet location  
**THD (%):** <20%  
**Power factor:** >0.9  
**Frequency (Hz):** 60  
**Operating temp. range:** - 20 °C to 45 °C (- 4 °F to 113 °F)  
**Cable rating:** FT6  
**Dimming:** Phase-Cut (ELV / Triac)

<sup>1</sup> Typical colour temperature range: +/- 5 %

<sup>2</sup> Lumen values are derived from Energy Star reported data. Initial lumens range: +/- 10 %.

<sup>3</sup> Life hours are derived from IESNA LM80-08 testing report and projected per IESNA TM-21-11 extrapolations

### LUMEN SPECIFICATION TABLE

Order code	Model number	Watts (W)	Lumen output (lm)	Efficacy (lm/W)
67812	DL/GIMBAL/RND/12W/40K/WH/STD	12	985.5	82.1

### COMPATIBLE ACCESSORIES (order separately)

Order code	Model number	Type
66049	ACC/MPLATE/3.625IN/SQR/STD	Square mounting plate
66056	ACC/MPLATE/3.625IN/ADJ/STD	Adjustable mounting plate
66142	ACC/3/VAPOR BARRIER/STD	Vapor barrier extender
66820	ACC/MPLATE/3.625IN/HANG.BARS/STD	Mounting plate with hanger bars
66964 <sup>1</sup>	LPDL/ACC/6FT/EXTCABLE/FT6/STD	6' FT6 Extension cord

<sup>1</sup> Up to 6 FT6 extension cords can be connected together.

This lighting equipment complies with Canadian standard ICES-005 for use in residential applications. Data is based upon tests performed in a controlled environment. Actual performance can vary depending on operating conditions. Specifications are subject to change without notice. Lumens values from Energy Star reported data



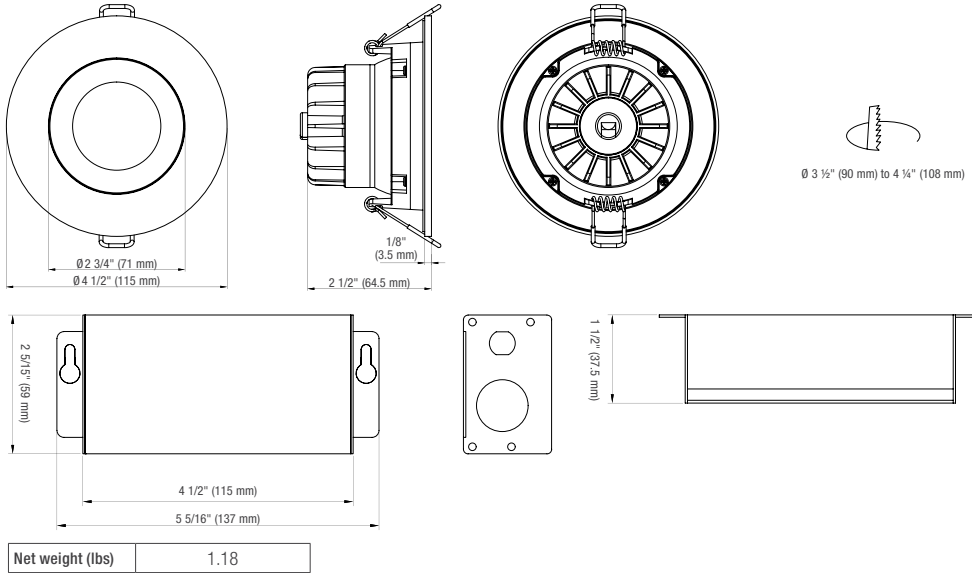
**COMPATIBLE DIMMERS**

Brand	Model
Cooper	RRD-6NA, AAL06
Leviton	IPL06, 6674, DSL06-1LZ, DDMX1
Lutron	PD-5NE <sup>1</sup> , DVCL-153P <sup>1</sup> , SELV-300P <sup>1</sup> , PD-6WCL, CTCL-153P, DVCL-253P, AYCL-253P, DVRP-253P, MACL-153P

Dimming range:5%-100%  
<sup>1</sup>Dimming range:10%-100%

This table shows dimmers that have been tested and have demonstrated proper operation under normal conditions. Each installation being unique, various factors such as load, common neutrals or other electrical products on the circuit can, in certain instances, cause variance in system performance. Read and comply to the dimmer installation instructions. Consult dimming system manufacturer for additional support in operation. Some dimmers may require more than one product for stable operation. Stanpro recommends to use dimmers designed to work with LED products. Older dimmers designed for incandescent products may cause erratic operation.

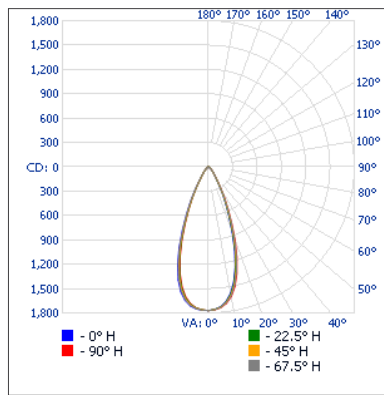
**DIMENSIONS AND WEIGHT**



**PHOTOMETRIC DATA<sup>1</sup>**

**67812 • DL/GIMBAL/RND/12W/40K/WH/STD • 985.5 lm**

**Polar candela distribution**



**Zonal lumen summary**

Zone	Lumens	% Fixture
0-30	796.1	80.8%
0-40	903.3	91.7%
0-60	972.3	98.7%
60-90	13.2	1.3%
0-90	985.5	100%

**Illuminance at a distance**

Center beam fc	Beam width
1.7'	1.3' 1.3'
3.3'	2.5' 2.5'
5.0'	3.8' 3.8'
6.7'	5.1' 5.1'
8.3'	6.3' 6.3'
10.0'	7.6' 7.6'

■ Vert. spread: 41.7°  
■ Horiz. spread: 41.8°

<sup>1</sup> Complete IES files available on our website.

Qty	Description	Price

I accept the specifications of the luminaire configuration mentioned above.

Name: \_\_\_\_\_  
 Company: \_\_\_\_\_  
 Signature: \_\_\_\_\_

Date: \_\_\_\_\_

Data is based upon tests performed in a controlled environment. Actual performance can vary depending on operating conditions. All products are subject to change or may be discontinued any time without notice.