

Project: _____ Type: _____

Drawn by: _____ Catalogue #: _____ Date: _____

Individual Spec Sheet

GIMBAL

KIT LED MODULE AND TRIM

ORDERING INFORMATION

Order code: 69019
Model number: DL/GIMBAL/4IN/RND/7W/30K/WH
UPC: 069549023437
Case quantity: 24

PHYSICAL DATA

Size in (mm): 4 3/4" x 2" (12 cm x 5 cm)
Lens Type: Clear Polycarbonate
Shape: Round
Finish: White
Mounting: Recessed

PERFORMANCE DATA

Watts (W): 7
Volts (V AC): 120
Color temperature (K)¹: 3 000
Lumen output (lm)²: 600
Efficacy (lm/W): 86
CRI: 80+
Life L70 (h)³: 36 000
Beam angle (°): 40
Environment: Damp location
THD (%): <20
Power factor: >0.9
Cable Rating: FT4
Frequency (Hz): 60
Operating temp. range: -20 °C to 45 °C (-4 °F to 113 °F)
Dimmable: Yes

¹ Typical color temperature range: +/- 5 %.

² Lumen values are derived from Energy Star reported data. Initial lumens range: +/- 10 %.

³ Life hours are derived from IESNA LM80-08 testing report and projected per IESNA TM-21-11 extrapolations.

LUMEN SPECIFICATION TABLE

Order code	Model number	Watts (W)	3 000 K	
			Lumen output (lm)	Efficacy (lm/W)
69019	DL/GIMBAL/4IN/RND/7W/30K/WH	7	687.8	98



This lighting equipment complies with Canadian standard ICES-005 for use in residential applications. Data is based upon tests performed in a controlled environment. Actual performance can vary depending on operating conditions. Specifications are subject to change without notice.

ACCESSORIES (order separately)

Order code	Model number	Type	Opening diameter (in)	Case qty (master)
66020	ACC/MPLATE/2.75IN/SQR/STD	Square and mounting plate	2 3/4	94
66021	ACC/MPLATE/2.75IN/ADJ/STD	Adjustable plate	2 3/4	24
66819 ¹	ACC/MPLATE/2.75IN/HANG.BARS/STD	Mounting plate with hanger bars	2 3/4	25
66142	ACC/3/VAPOR BARRIER/STD	Vapor barrier extender	3 5/8	50
64264	LPDL/ACC/6FT/EXTCABLE/STD	6' extension cord	-	96

¹Includes brackets and screws.



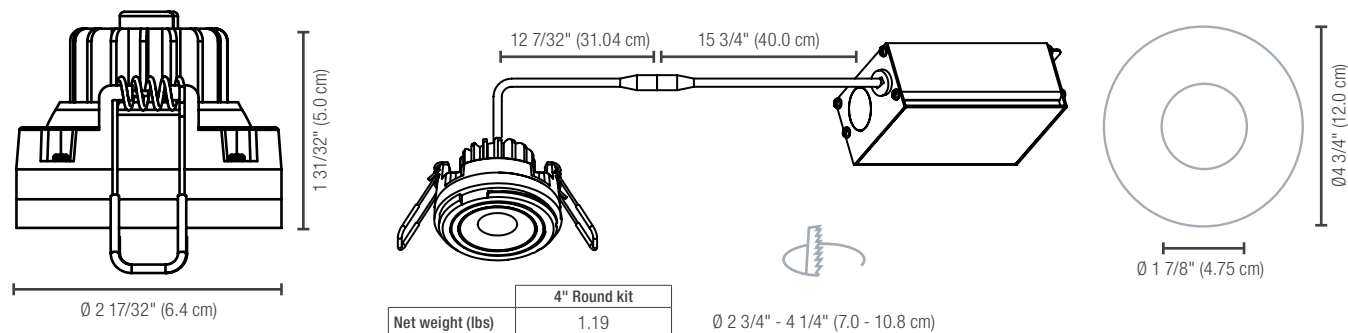
COMPATIBLE DIMMERS¹

Brand	Model number
Cooper	AAL06
Leviton	6615, 6674, DSL06-1LZ, IPE04-1LZ, IPL06
Lutron	AYCL-253P, CTCL-153P, DVCL-153P, DVCL-253P, DVCLV-300P, SELV-300P

Dimming range : 10%-100%

¹ This table shows dimmers that have been tested and have demonstrated proper operation under normal conditions. Each installation being unique, various factors such as load, common neutrals or other electrical products on the circuit can, in certain instances, cause variance in system performance. Read and comply to the dimmer installation instructions. Consult dimming system manufacturer for additional support in operation. Some dimmers may require more than one product for stable operation. Stanpro recommends to use dimmers designed to work with LED products. Older dimmers designed for incandescent products may cause erratic operation.

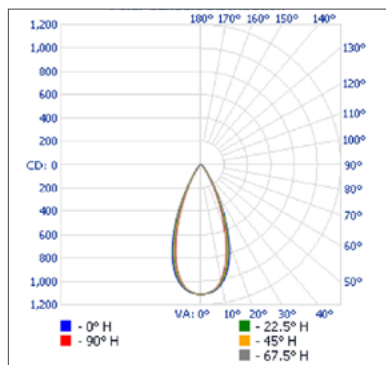
DIMENSIONS AND WEIGHT



PHOTOMETRIC DATA¹

69019 • DL/GIMBAL/4IN/RND/7W/30K/WH • 687.8 lm

Polar candela distribution



Zonal lumen summary

Zone	Lumens	% Fixture
0-30	529.9	77
0-40	610.4	88.7
0-60	665.5	96.8
60-90	21.2	3.1
70-100	7.9	1.2
90-120	0.0	0
0-90	686.8	99.8
90-180	1.1	0.2
0-180	687.8	100

Illuminance at a distance

Center beam fc	Beam width
1.7'	384
3.3'	102
5.0'	44.4
6.7'	24.7
8.3'	16.1
10.0'	11.1

■ Vert. spread: 46.3°
 ■ Horiz. spread: 41.9°

¹ Complete IES files available on our website.

Qty	Description	Price

I accept the specifications of the luminaire configuration mentioned above.

Name: _____
 Company: _____
 Signature: _____

Date: _____

Data is based upon tests performed in a controlled environment. Actual performance can vary depending on operating conditions. All products are subject to change or may be discontinued any time without notice. Please contact your Stanpro customer service representative to confirm inventory levels at time of order.