

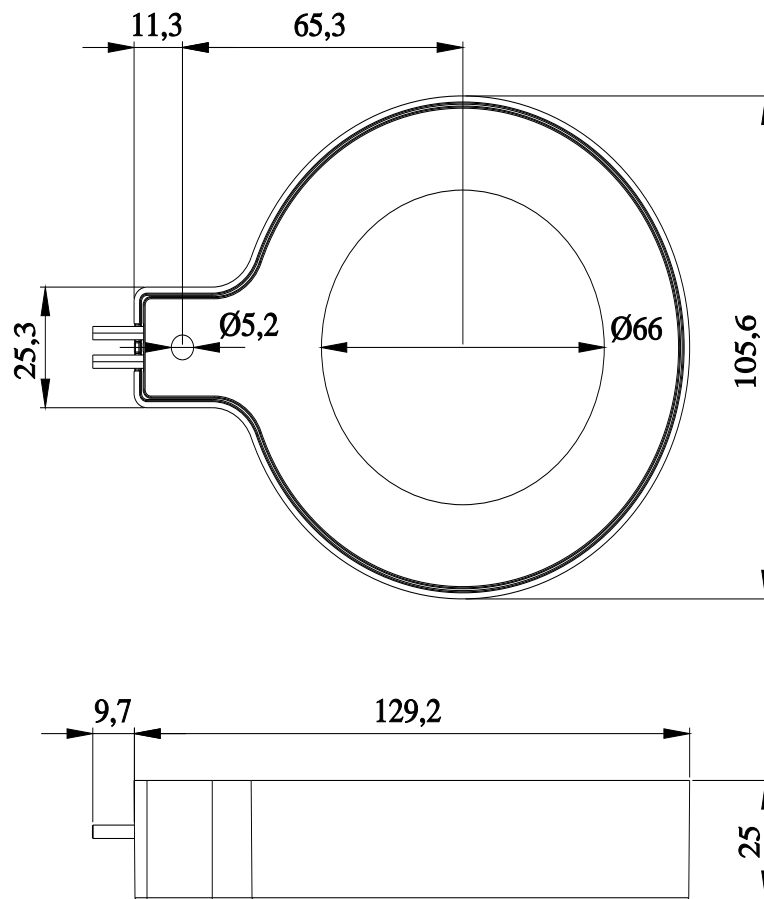
SOLID CORE CT 800:0.1



General technical data	
accuracy class of the current transformer	1.0 S
phase number	3
suitability for operation	SEM3 REPLACEMENT PARTS
Model	
product brand name	SIEMENS
product sub brand name	SEM3
product type designation	SOLIDCORE
General product approval	
certificate of suitability	UL916
Declaration of Conformity	other



[Miscellaneous](#)



last modified:

4/27/2021 

