

Series Spec Sheet

WCY

LED CYLINDER WALL MOUNT UPLIGHT, DOWNLIGHT OR BIDIRECTIONAL 3 CCT Selectable and Integrated Photocell

The WCY is a highly efficient and versatile decorative LED wall cylinder designed to provide any commercial building with security and accent lighting. This fixture allows the direction of the light to be field adjustable to offer uplight, downlight or bidirectional lighting. It comes with a 20 degree beam angle and can be easily changed to a 40 degree or 80 degree angle with the optics included with the fixture. Additionally these luminaires offer the ability to adjust the color temperature and control the functionality of the photocell that comes standard in all fixtures making it a great all-in-one solution.

FEATURES AND SPECIFICATIONS

• Construction

Physical Characteristics

- This luminaire is made out of aluminum die cast and comes in a black or bronze powder coat finish
- Two housing sizes: 4" and 6"
- Includes an integrated 120-347 V photocell that can be easily disabled
- Easy access to color temperature, photocell and light direction switch

Mounting

- Wall and surface mount to a junction box

Optic

- The standard beam angle is 20 degrees and can be easily interchanged to a 40 degrees and/or 80 degrees with the additional optics included.
- 40 degree frosted and 80 degree optics included for wider distribution needs.

Lens

- Glass lens

• Performance data

- Selectable color temperature 3 000/4 000/5 000 K, default programming at 4 000 K
- 80+ CRI
- Electrical ratings: 120-347 V
- Estimated life of over 50 000 hours to L70
- Dimmable 0-10V
- 4 kV surge protection
- Operating temperature: -40 °C to 40 °C (-40 °F to 104 °F)

• Compliances

- cETLus, Wet Location
- Meets requirements of ICES-005 issue 5 class B for use in residential applications
- IP65
- IK06

OVERVIEW

Light source	LED
Watts (W)	20, 36
Lumen output (lm)	825-4 340
Efficacy (lm/W)	80-131
Color temperature (K)	3 000/4 000/5 000
CRI	80+



IK06

ICES 005



QUICK SHIP AND TECHNICAL SPECIFICATION TABLE

Order code	Model number	Watts	Volts	Color temp.	Lumen output	Efficacy	CRI	Life L70	Beam angle	Finish	Photocell	Dimming	Power factor	THD	Traditional equivalent		Master case qty
		(W)	(VAC)	(K) ¹	(lm) ^{2,3}	(lm/W)		(hrs) ⁴	(°)	(Yes/No)	(Yes/No)	(%)	(W)	(W)			
CCT Selectable with Integrated Photocell⁵																	
4"																	
69150	WCY-4LS1-Q-3C-BK-P	20	120-347	3 000/4 000/5 000	2 445	122	80+	50 000	20	Black	Yes	Yes	≥0.90	≤20	70	70	5
69432	WCY-4LS1-Q-3C-BR-P	20	120-347	3 000/4 000/5 000	2 445	122	80+	50 000	20	Bronze	Yes	Yes	≥0.90	≤20	70	70	5
6"																	
69151	WCY-6LS2-Q-3C-BK-P	36	120-347	3 000/4 000/5 000	4 254	118	80+	50 000	20	Black	Yes	Yes	≥0.90	≤20	150	100-150	4
69433	WCY-6LS2-Q-3C-BR-P	36	120-347	3 000/4 000/5 000	4 254	118	80+	50 000	20	Bronze	Yes	Yes	≥0.90	≤20	150	100-150	4

¹ Typical color temperature range: +/- 5 %.

² Lumen values are derived from photometric testing. Initial lumens range: +/- 10 %.

³ Lumen values are based on 4 000 K default programming. Please refer to the LUMEN SPECIFICATION TABLE for more details on other color temperatures.

⁴ Life hours are derived from IESNA LM-80-08 testing report and projected per IESNA TM-21-11 extrapolations

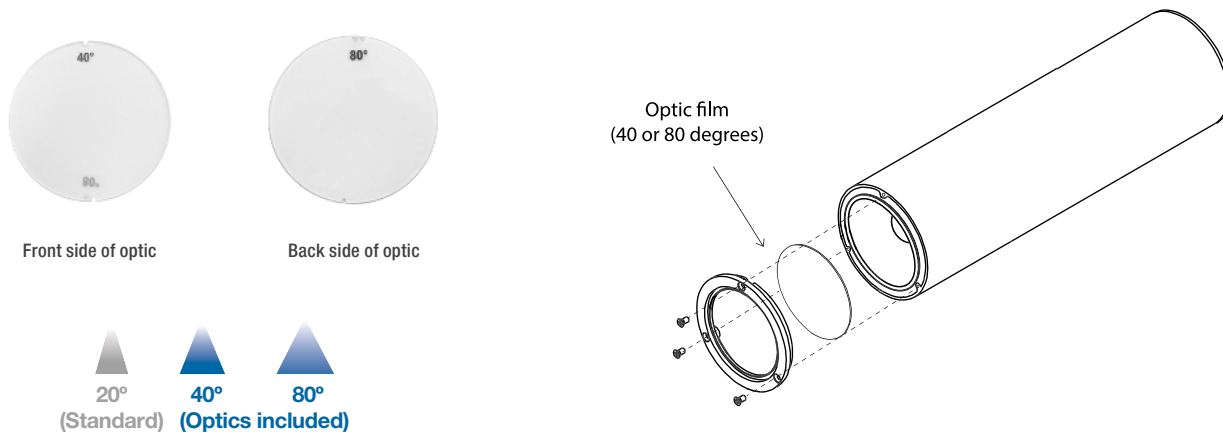
⁵ Integrated ON/OFF photocell that can be easily disabled.

LUMEN SPECIFICATION TABLE

MAX Watts (W)	Watts (W)	Beam angle (°)	Volts (V)	Fixture Current (A)	3 000 K		4 000 K		5 000 K	
					Lumen output (lm)	Efficacy (lm/W)	Lumen output (lm)	Efficacy (lm/W)	Lumen output (lm)	Efficacy (lm/W)
4"										
20	10	20	120-347	0.095 - 0.046	1 230	123	1 313	131	1 223	122
	20			0.18 - 0.07	2 252	113	2 445	122	2 341	117
	10	40	120-347	0.095 - 0.046	825	83	940	94	849	85
	20			0.18 - 0.07	1 594	80	1 817	91	1 642	82
	10	80	120-347	0.095 - 0.046	1 013	101	1 154	115	1 043	104
	20			0.18 - 0.07	2 118	106	2 415	121	2 182	109
6"										
36	18	20	120-347	0.168 - 0.083	2 190	122	2 364	131	2 319	129
	36			0.33 - 0.12	4 039	112	4 254	118	4 117	114
	18	40	120-347	0.168 - 0.083	1 627	90	1 676	93	1 855	103
	36			0.33 - 0.12	3 225	90	3 676	102	3 321	92
	18	80	120-347	0.168 - 0.083	1 952	108	2 225	124	2 011	112
	36			0.33 - 0.12	3 807	106	4 340	121	3 921	109

INCLUDED IN THE BOX

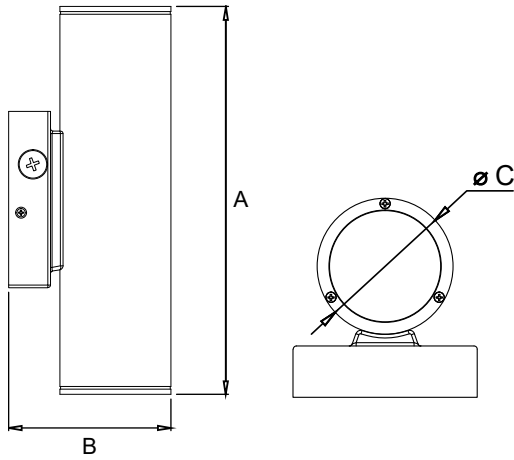
Optics (two per box)



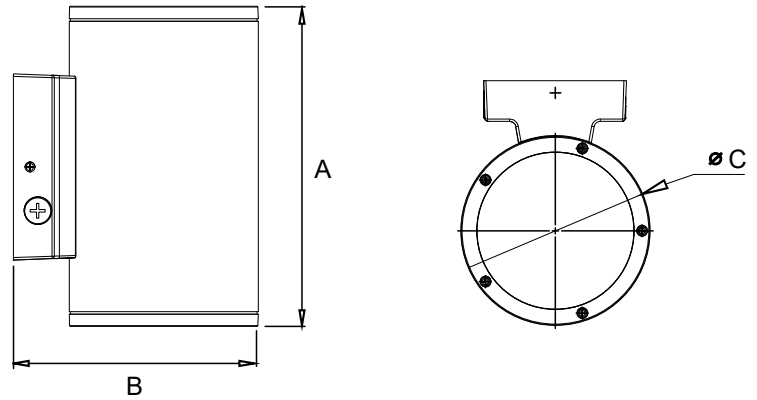
Data is based upon tests performed in a controlled environment. Actual performance can vary depending on operating conditions. All products are subject to change or may be discontinued any time without notice. Please contact your Stanpro customer service representative to confirm inventory levels at time of order.

DIMENSIONS AND WEIGHTS

4"



6"



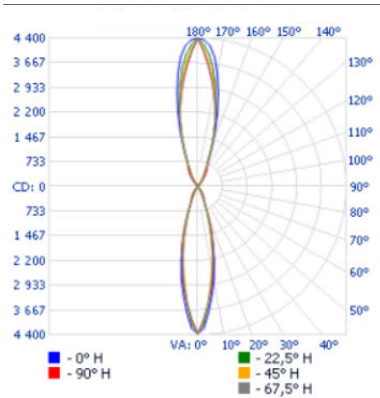
	20 W	36 W
A in. (cm)	11 3/4 (29.7)	10.20 (25)
B in. (cm)	4 7/8 (12.5)	7.80 (19.8)
C in. (cm)	3 3/8 (8.5)	6 (15.3)
Net weight (lbs)	2.9	5.3

Data is based upon tests performed in a controlled environment. Actual performance can vary depending on operating conditions. All products are subject to change or may be discontinued any time without notice. Please contact your Stanpro customer service representative to confirm inventory levels at time of order.

PHOTOMETRIC DATA¹

69150_69432 • WCY-4LS1-Q-3C-XX-P • 20 W • 4 000 K • 20d • 2 445 lm

Polar candela distribution



Zonal lumen summary

Zone	Lumens	% Fixture
0-30	938.2	38.4
0-40	1 013.1	41.4
0-60	1 053.6	43.1
60-90	14.7	0.6
70-100	7.3	0.3
90-120	18.6	0.8
0-90	1 068.2	43.7
90-180	1 376.5	56.3
0-180	2 444.7	100

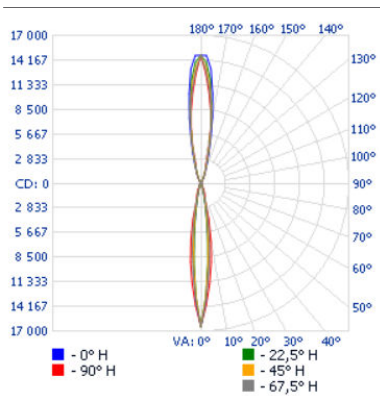
Illuminance at a distance

Center beam fc		Beam width	
17.0'	15.1	8.2'	
34.0'	3.78	16.5'	
51.0'	1.68	24.7'	
68.0'	0.95	33.0'	
85.0'	0.60	41.2'	
102.0'	0.42	49.5'	

■ Horiz. spread : 27.3°

69151_69433 • WCY-6LS2-Q-3C-XX-P • 36 W • 4 000 K • 20d • 4 254 lm

Polar candela distribution



Zonal lumen summary

Zone	Lumens	% Fixture
0-30	1 468.5	34.5
0-40	1 611.6	37.9
0-60	1 784.7	42
60-90	73.1	1.7
70-100	28.5	0.7
90-120	48.0	1.1
0-90	1 857.8	43.7
90-180	2 395.9	56.3
0-180	4 253.7	100

Illuminance at a distance

Center beam fc		Beam width	
17.0'	57.1	3.6'	5.0'
34.0'	14.3	7.2'	10.0'
51.0'	6.35	10.8'	15.0'
68.0'	3.57	14.4'	20.1'
85.0'	2.28	18.0'	25.1'
102.0'	1.59	21.6'	30.1'

■ Vert. spread : 12.1°
■ Horiz. spread : 16.8°

¹ Complete IES files available on our website.

Data is based upon tests performed in a controlled environment. Actual performance can vary depending on operating conditions. All products are subject to change or may be discontinued any time without notice. Please contact your Stanpro customer service representative to confirm inventory levels at time of order.