

OB414-CCT27

High performance 27K-3K-4K selectable color temperature baffled recessed downlight



NAME:	
TYPE:	
DATE:	
NOTES:	

OB414-CCT27

High performance 27K-3K-4K selectable color temperature baffled recessed downlight

SPECIFICATIONS

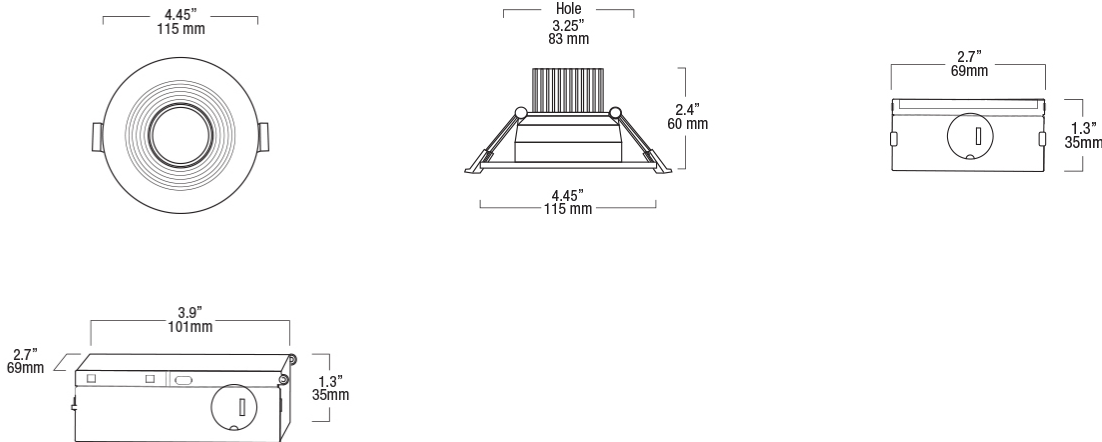
LIGHT UNIT:	Aluminum Die cast with powder paint coat preventing discoloring and rusting.
WIRING:	Plenum rated cable used to connect light unit and junction box.
JUNCTION BOX:	Aluminum extrusion, with knockouts located at each end. Wiring compartment allows for (6) 14 gauge (AWG) insulated conductors. Connection to one (1) downstream unit is permitted within the junction box compartment. The compartment satisfies junction box volume requirements of CSA C22.2 No. 250.0/UL 1598
INSTALLATION:	Ideal for ceiling installations with no housing required. Steel spring clip for easy installation. Suitable for installation in t-grid and drop ceiling applications.
OPTICS:	COB (Chip on Board) LED technology uses light guided reflector to distribute light and optimize high level of delivered lumens. The deep regressed baffle design offers an anti-glare feature.
ELECTRICAL & PHASE CONTROL:	Easily connected to a 120V power supply via provided UL recognized driver. Optional 120-277V, 0-10V dimming driver available. Dimming down to 10% with most standard LED dimmers (see list of approved dimmers). Ambient operating temperature: -40°C (-40°F) to +40°C (+104°F). IC, WET Location and AIR-TIGHT rated. Phase Control: Forward Phase. Certifications: This product is ETL listed in USA & Canada, certified to UL standard 1598 and CSA standard C22.2 No. 250.0-08

CUTTING HOLE:	3.25" (83mm)
MOUNTING PLATE:	MP300 / AMP300 / MPHB250-450
BEAM ANGLE:	36°
GIMBAL ANGLE / HEAD ROTATION:	27° / 360°
COLOR TEMPERATURE:	27K-3K-4K
SELECTABLE COLOR TEMPERATURE:	Yes
CRI*:	90
LUMEN OUTPUT:	800 lumens
DIMMABLE:	Yes
WATTS:	11 watts
LED LIFE:	50,000 hours
WARRANTY:	5 years
WIRE CABLE:	FT4
DRIVER (SPECIAL ORDER):	120-277V, 0-10V Dimming
STEPPED BAFFLE DEPTH:	1.2" (30mm)

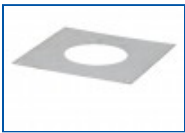
APPLICATIONS

The ORBIT•B deep baffle offers a high-performance LED (COB) recessed downlight with a pressure-fit spring clip application for an easy install. Whether it is a Remodel or New Construction installation, this unit is well suited for indoor / outdoor residential, hospitality, commercial and multifamily applications. It does not require a recessed housing for installation.

DIMENSIONS



ACCESSORIES



MOUNTING PLATE

Versatile square mounting plate allows for installation of all models of ndr lighting recessed lighting products. refer to our mounting plate compatibility chart to ensure the proper mounting plate is selected.



REMODEL VAPOUR BARRIER

The remodel vapour barrier unit may be used with all ndr lighting remodel housings. it is designed to prevent air leakage from your living space into the attic, or any insulated spaces.



ADJUSTABLE MOUNTING PLATE

Versatile adjustable mounting plate allows for installation of all models of ndr lighting recessed lighting products. refer to our mounting plate compatibility chart to ensure the proper mounting plate is selected.



GOOF RINGS

This goof ring is used when the ceiling hole is wider than the retrofit light unit being installed. refer to our goof ring compatibility chart to ensure the proper goof ring is selected.



UNIVERSAL MOUNTING PLATE WITH ADJUSTABLE HANGER BARS

This multi-size adjustable mounting plate allows for installation of all models of ndr lighting recessed lighting products. refer to our mounting plate compatibility chart to ensure the proper mounting plate is selected.

OB414-CCT27

High performance 27K-3K-4K selectable color temperature baffled recessed downlight

RATINGS

AIRTIGHT
RATED



IC
RATED



ORDERING GUIDE

ORBIT 414 CCT27 Series

Series	Color Temperature	Finish
OB414-CCT27	CCT27 27K-3K-4K/90CRI/11W	WH White
	CCT27 27K-3K-4K/90CRI/11W	BK Black

Notes: Configure product using **BOLD** options: Ex: **OB414-CCT27-WH**