

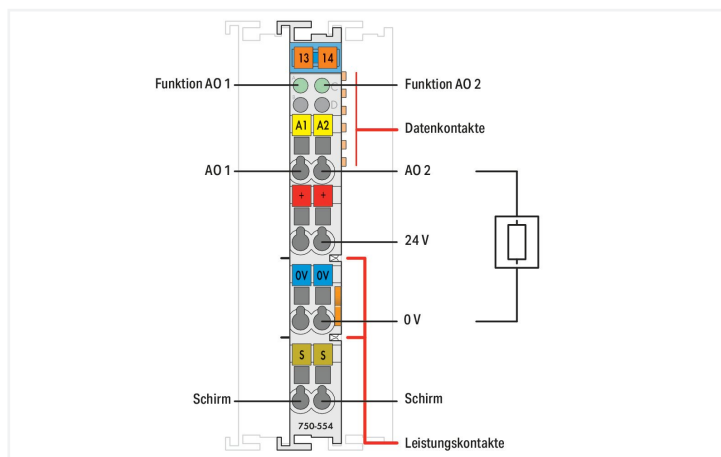
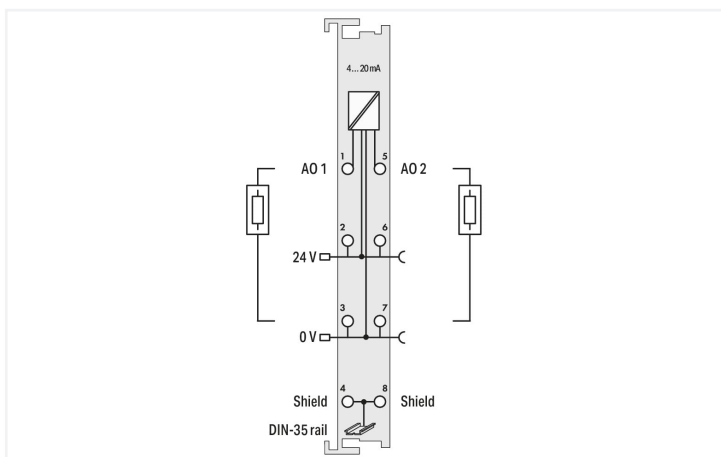
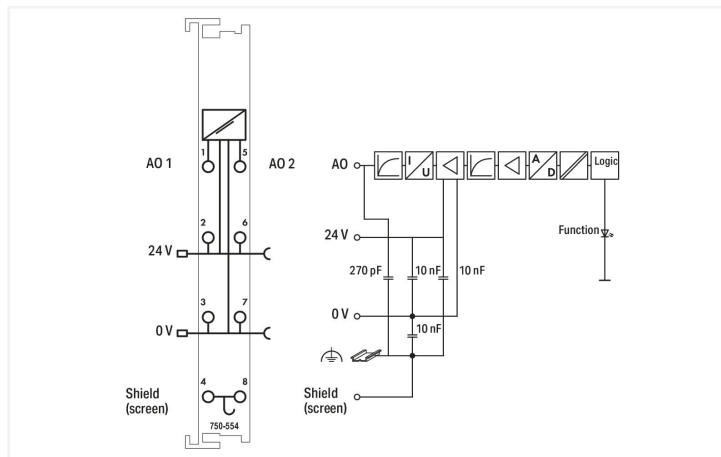
Data Sheet | Item Number: 750-554

2-channel analog output; 4 ... 20 mA

<https://www.wago.com/750-554>



Color: ■ light gray



This analog output module generates standard 4–20 mA signals. The output signal is electrically isolated and transmitted with a resolution of 12 bits. Power is derived from the field side.

| Technical data | |
|---|---|
| Number of analog outputs | 2 |
| Total number of channels (module) | 2 |
| Signal type | Current |
| Signal type (current) | 4 ... 20 mADC |
| Actuator connection | 2 x (2-wire) |
| Resolution [bit] | 12 bits |
| Data width | 2 x 16-bit data; 2 x 8-bit control/status (optional) |
| Load impedance (current output) | ≤ 600 Ω |
| Conversion time (typ.) | 2 ms |
| Output error, reference temperature | 25 °C |
| Output error, deviation (max.) of the upper-range value | 0.1 % |
| Temperature error (max.) of the output range value | 0.015 %/K |
| Linearity | ±10 μA |
| Supply voltage (system) | 5 VDC; via data contacts |
| Current consumption (5 V system supply) | 70 mA |
| Supply voltage (field) | 24 VDC (-25 ... +30 %); via power jumper contacts (power supply via blade contact; transmission via spring contact) |
| Isolation | 500 V system/field |
| Indicators | LED (A, C) green: Function AO 1, AO 2 |
| Number of incoming power jumper contacts | 2 |

Technical data

| | |
|--|---|
| Number of outgoing power jumper contacts | 2 |
|--|---|

Connection data

| | |
|---------------------------------------|--|
| Connection technology: inputs/outputs | 8 x CAGE CLAMP® |
| Connection type 1 | Inputs/outputs |
| Solid conductor | 0.08 ... 2.5 mm ² / 28 ... 14 AWG |
| Fine-stranded conductor | 0.08 ... 2.5 mm ² / 28 ... 14 AWG |
| Strip length | 8 ... 9 mm / 0.31 ... 0.35 inches |

Physical data

| | |
|-----------------------------------|------------------------|
| Width | 12 mm / 0.472 inches |
| Height | 100 mm / 3.937 inches |
| Depth | 69.8 mm / 2.748 inches |
| Depth from upper-edge of DIN-rail | 62.6 mm / 2.465 inches |

Mechanical data

| | |
|---------------|-------------|
| Mounting type | DIN-35 rail |
|---------------|-------------|

Material data

| | |
|--------------------|------------------------------|
| Color | light gray |
| Housing material | Polycarbonate; polyamide 6.6 |
| Fire load | 1.028 MJ |
| Weight | 50 g |
| Conformity marking | CE |

Environmental requirements

| | |
|--|---------------------------------------|
| Ambient temperature (operation) | 0 ... +55 °C |
| Ambient temperature (storage) | -25 ... +85 °C |
| Protection type | IP20 |
| Pollution degree | 2 per IEC 61131-2 |
| Operating altitude | 0 ... 2000 m / 0 ... 6562 ft |
| Mounting position | horizontal (standing/lying); vertical |
| Relative humidity (without condensation) | 95 % |
| Vibration resistance | 4g per IEC 60068-2-6 |
| Shock resistance | 15g per IEC 60068-2-27 |
| EMC immunity to interference | per EN 61000-6-2, marine applications |
| EMC emission of interference | per EN 61000-6-4, marine applications |
| Exposure to pollutants | per IEC 60068-2-42 and IEC 60068-2-43 |
| Permissible H ₂ S contaminant concentration at a relative humidity 75 % | 10 ppm |
| Permissible SO ₂ contaminant concentration at a relative humidity 75 % | 25 ppm |

Commercial data

| | |
|-----------------------|-----------------|
| Product Group | 15 (I/O System) |
| eCl@ss 10.0 | 27-24-26-01 |
| eCl@ss 9.0 | 27-24-26-01 |
| ETIM 8.0 | EC001596 |
| ETIM 7.0 | EC001596 |
| PU (SPU) | 1 pcs |
| Packaging type | Box |
| Country of origin | DE |
| GTIN | 4045454393663 |
| Customs tariff number | 85389099990 |

Environmental Product Compliance

| | |
|---|--------------------------------------|
| CAS-No. | 1317-36-8 7439-92-1 |
| REACH Candidate List Substance | Lead Lead monoxide |
| RoHS Compliance Status | Compliant,With Exemption |
| RoHS Exemption | 7(a) 7(c)-I 7(c)-II |
| SCIP notification number (Austria) | 35f566e8-d312-42ff-b4a6-1f8c2b60751e |
| SCIP notification number (Belgium) | a404b2ad-7af1-40f9-b56a-8718cc931dbf |
| SCIP notification number (Bulgaria) | cecdce1f-f941-4c5a-9bc0-cfb02191a273 |
| SCIP notification number (Czech Republic) | 85d34d70-6be0-4fa3-96a3-3e33f73aed8d |
| SCIP notification number (Denmark) | 37d773df-f136-4b2f-b0ce-1767ce3b1d51 |
| SCIP notification number (Finland) | 13cf3d49-621f-4999-a455-f0d2089b0c35 |
| SCIP notification number (France) | 568a51b4-c456-4a1f-89d6-505b002b39ec |
| SCIP notification number (Germany) | 7d041857-376b-439f-bb98-9198fedcd5e4 |
| SCIP notification number (Hungary) | d9b0ce0c-3638-4ec6-8755-3ac5976027eb |
| SCIP notification number (Italy) | a374cd64-575d-40d9-9489-21872f8a9141 |
| SCIP notification number (Netherlands) | 4bc0c674-9882-41a6-b2a6-36059cdd07ed |
| SCIP notification number (Poland) | c5d33d70-50a4-4c03-8a60-f63738426648 |
| SCIP notification number (Romania) | 4502bac5-72d4-477b-b3cd-dc95431aefcc |
| SCIP notification number (Sweden) | c4d07446-a92f-44ee-9391-1702f52b6c79 |

Approvals / Certificates

General approvals



| Approval | Standard | Certificate Name |
|---|------------------------|---------------------------------|
| EAC Brjansker Zertifizierungs- stelle | TP TC 020/2011 | EAC RU C-DE.AM02. B.00087/19 |
| KC National Radio Research Agency | Article 58-2, Clause 3 | MSIP-REM-W43-AOM750 |
| UL Underwriters Laboratories Inc. (ORDINARY LOCATI- ONS) | UL 508 | E175199 Sec.1 |

Declarations of conformity and manufacturer's declarations

| Approval | Standard | Certificate Name |
|---|----------|------------------|
| EU-Declaration of Confor- mity WAGO GmbH & Co. KG | - | - |
| UK-Declaration of Confor- mity WAGO GmbH & Co. KG | - | - |

Approvals for marine applications



| Approval | Standard | Certificate Name |
|---|------------------------|-------------------|
| ABS American Bureau of Shipping | - | 22-2219060 |
| BSH Bundesamt fuer Seeschifffahrt und Hydrographie | - | 1104 |
| BV Bureau Veritas S.A. | - | 13453/E0 BV |
| DNV DNV GL SE | DNV-CG-0339, Aug. 2021 | TAA0000194 |
| KR Korean Register of Shipping | - | KR HMB05880-AC001 |
| LR Lloyds Register EMEA | - | LR22180952TA |
| PRS Polski Rejestr Statków | - | TE/2236/880590/19 |
| RINA RINA Germany GmbH | - | ELE343521XG001 |

Approvals for hazardous areas





| Approval | Standard | Certificate Name |
|--|----------------|--|
| ATEX TUEV Nord Cert GmbH | EN 60079-0 | TUEV14ATEX148929X (II 3 G Ex ec IIC T4 Gc) |
| CCCEX CQST/CNEx | CNCA-C23-01 | 2020312310000213 (Ex ec IIC T4 Gc) |
| EAC Brjansker Zertifizierungsstelle | TP TC 012/2011 | EAC RU C-DE.AM02.B.00163/19 (2Ex nA IIC T4 Gc X) |
| IECEX TUEV Nord Cert GmbH | IEC 60079-0 | IECEX TUN 14.0035 X (Ex ec IIC T4 Gc) |
| INMETRO TÜV Rheinland do Brasil Ltda. | IEC 60079-0 | BR-Ex_TÜV 12.1297 X |
| UKEx WAGO GmbH & Co. KG | EN 60079-0 | UKCA_WA GO22UKEX003X_ec |
| UL Underwriters Laboratories Inc. (HAZARDOUS LOCATIONS) | UL 121201 | E198726 Sec.1 |