

## Data Sheet | Item Number: 216-243

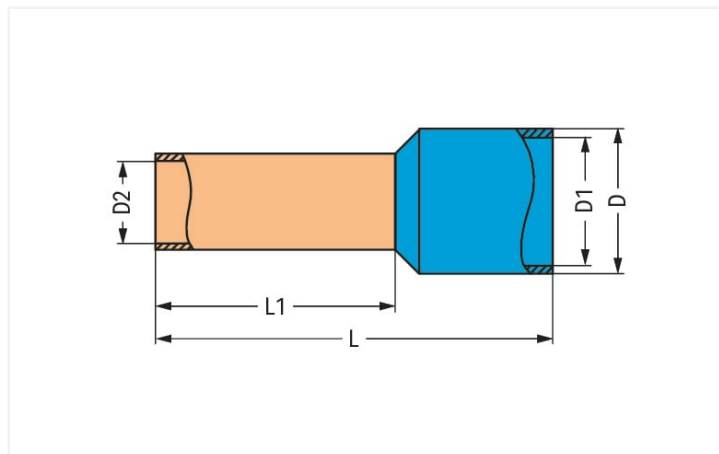
Ferrule; Sleeve for 1 mm<sup>2</sup> / AWG 18; insulated; electro-tin plated; electrolytic copper; gastight crimped; acc. to DIN 46228, Part 4/09.90; red

<https://www.wago.com/216-243>



Color: ■ red

Similar to illustration



Dimensions in mm

### Technical data

Main product function	Ferrule
Sleeve cross-section (AWG)	18 AWG
Sleeve for	1 mm <sup>2</sup>

### Connection data

Strip length	12 mm / 0.47 inches
--------------	---------------------

### Physical data

Length	16 mm
Crimp length (length of sleeve)	10 mm
Diameter	3.5 mm
Inner Diameter plastic collar	3 mm
Diameter crimp sleeve inside	1.4 mm

### Mechanical data

Suitable	2001 – 2002 Series
----------	--------------------

### Material data

Color	red
Fire load	0 MJ
Weight	0.1 g

Commercial data	
Product Group	2 (Terminal Block Accessories)
eCl@ss 10.0	27-40-02-01
eCl@ss 9.0	27-40-02-01
ETIM 8.0	EC000005
ETIM 7.0	EC000005
PU (SPU)	1000 pcs
Packaging type	Box
Country of origin	DE
GTIN	4044918016339
Customs tariff number	85369010000

Environmental Product Compliance	
RoHS Compliance Status	Compliant, No Exemption

**Downloads**

**Environmental Product Compliance**

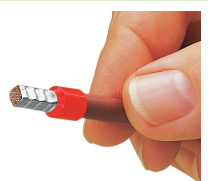
Compliance Search

Environmental Product Compliance 216-243 [↓](#)

**Documentation**

Bid Text			
216-243	19.02.2019	xml 2.80 KB	<a href="#">↓</a>
216-243	11.09.2017	doc 23.50 KB	<a href="#">↓</a>

**Installation Notes**



A perfect gas-tight crimp – both electrical-ly and mechanically reliable

Subject to changes. Please also observe the further product documentation!

Current addresses can be found at: [www.wago.com](http://www.wago.com)