



Adjustable-length Twist lever for position switch 3SE51/52 Metal lever 100 mm long Positive fit (grid hole) Rubber roller 50 mm

<b>product brand name</b>	SIRIUS
<b>product designation</b>	actuator for part-turn actuator
<b>product type designation</b>	3SE5
<b>manufacturer's article number</b>	
• of the supplied operating lever	<a href="#">3SE5000-0AA68</a>
<b>General technical data</b>	
<b>product function positive opening</b>	Yes
<b>shock resistance</b>	
• according to IEC 60068-2-27	30g / 11 ms
<b>vibration resistance</b>	
• according to IEC 60068-2-6	0.35 mm/5g
<b>mechanical service life (operating cycles) typical</b>	15 000 000
<b>reference code according to IEC 81346-2</b>	T
<b>active principle</b>	mechanical
<b>Substance Prohibition (Date)</b>	07/01/2006
<b>Ambient conditions</b>	
<b>ambient temperature</b>	
• during operation	-25 ... +85 °C
• during storage	-40 ... +90 °C
<b>explosion protection category for dust</b>	none
<b>Enclosure</b>	
<b>coating of the enclosure</b>	Other types
<b>Drive Head</b>	
<b>design of the actuating element</b>	Adjustable twist lever, adjustable-length metal lever with latching, rubber roller 50 mm
<b>shape of the switch head</b>	roller
<b>outer diameter of the switch head</b>	50 mm
<b>Installation/ mounting/ dimensions</b>	
<b>mounting position</b>	any
<b>fastening method</b>	screw fixing
<b>design of the interface for safety-related communication</b>	without
<b>Communication/ Protocol</b>	
<b>design of the interface</b>	without
<b>Certificates/ approvals</b>	
General Product Approval	Functional Safety/Safety of Machinery



[Confirmation](#)



[KC](#)



[Type Examination Certificate](#)

Declaration of Conformity

Test Certificates

other



[Type Test Certificates/Test Report](#)

[Confirmation](#)

**Further information**

Siemens has decided to exit the Russian market (see here).

<https://press.siemens.com/global/en/pressrelease/siemens-wind-down-russian-business>

Siemens is working on the renewal of the current EAC certificates.

Please contact your local Siemens office on the status of validity of the EAC certification if you intend to import or offer to supply these products to an EAC relevant market (other than the sanctioned EAEU member states Russia or Belarus).

Information on the packaging

<https://support.industry.siemens.com/cs/ww/en/view/109813875>

Information- and Downloadcenter (Catalogs, Brochures,...)

<https://www.siemens.com/ic10>

Industry Mall (Online ordering system)

<https://mall.industry.siemens.com/mall/en/en/Catalog/product?mlfb=3SE5000-0AA68>

Cax online generator

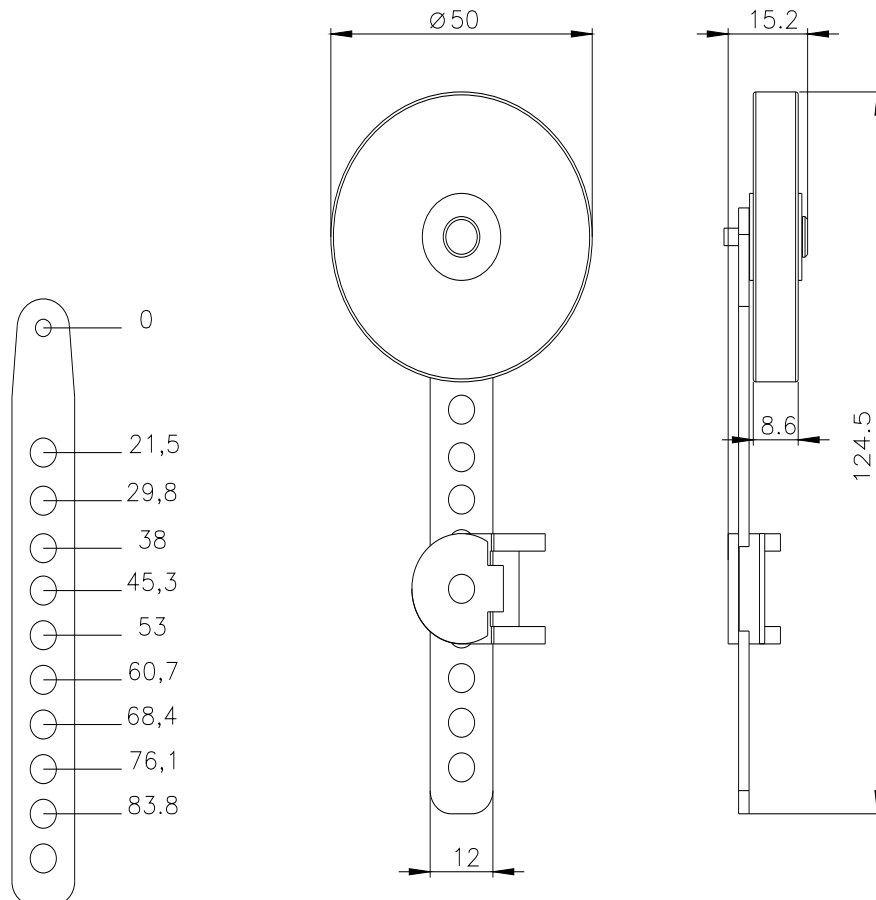
<http://support.automation.siemens.com/WW/CAXorder/default.aspx?lang=en&mlfb=3SE5000-0AA68>

Service&Support (Manuals, Certificates, Characteristics, FAQs,...)

<https://support.industry.siemens.com/cs/ww/en/ps/3SE5000-0AA68>

Image database (product images, 2D dimension drawings, 3D models, device circuit diagrams, EPLAN macros, ...)

[http://www.automation.siemens.com/bilddb/cax\\_de.aspx?mlfb=3SE5000-0AA68&lang=en](http://www.automation.siemens.com/bilddb/cax_de.aspx?mlfb=3SE5000-0AA68&lang=en)



last modified:

12/21/2020

