

## Data Sheet | Item Number: 216-241

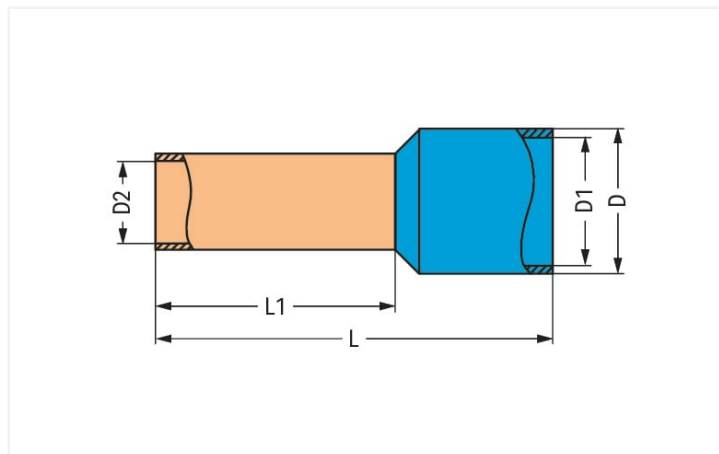
Ferrule; Sleeve for 0.5 mm<sup>2</sup> / 20 AWG; insulated; electro-tin plated; electrolytic copper; gastight crimped; acc. to DIN 46228, Part 4/09.90; white

<https://www.wago.com/216-241>



Color: ■ white

Similar to illustration



Dimensions in mm

### Technical data

Main product function	Ferrule
Sleeve cross-section (AWG)	20 AWG
Sleeve for	0.5 mm <sup>2</sup>

### Connection data

Strip length	12 mm / 0.47 inches
--------------	---------------------

### Physical data

Length	16 mm
Crimp length (length of sleeve)	10 mm
Diameter	3.1 mm
Inner Diameter plastic collar	2.6 mm
Diameter crimp sleeve inside	1 mm

### Mechanical data

Suitable	2001 – 2002 Series
----------	--------------------

### Material data

Color	white
Fire load	0.001 MJ
Weight	0.1 g

### Commercial data

Product Group	2 (Terminal Block Accessories)
eCl@ss 10.0	27-40-02-01
eCl@ss 9.0	27-40-02-01
ETIM 8.0	EC000005
ETIM 7.0	EC000005
PU (SPU)	1000 pcs
Packaging type	Box
Country of origin	DE
GTIN	4044918016315
Customs tariff number	85369010000

### Environmental Product Compliance

RoHS Compliance Status	Compliant, No Exemption
------------------------	-------------------------

### Downloads

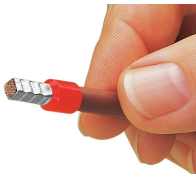
#### Environmental Product Compliance

Compliance Search	
Environmental Product Compliance 216-241	↓

### Documentation

Bid Text			
216-241	19.02.2019	xml 2.80 KB	↓
216-241	11.09.2017	doc 23.50 KB	↓

### Installation Notes



A perfect gas-tight crimp – both electrical-ly and mechanically reliable

Subject to changes. Please also observe the further product documentation!

Current addresses can be found at: [www.wago.com](http://www.wago.com)