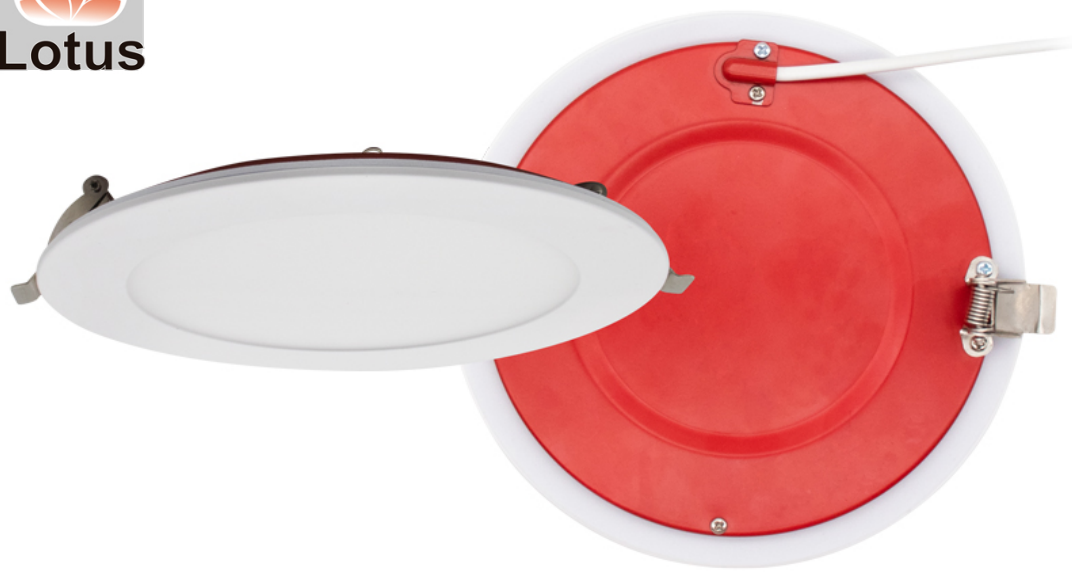




# FR-LED-6-S15W-5CCT-PL

## 6" Round Fire Rated Ultra Slim Recessed LED 5CCT 15W



Project: \_\_\_\_\_

Location: \_\_\_\_\_

Qty: \_\_\_\_\_

Notes: \_\_\_\_\_

### DESCRIPTION

6" Round Fire Rated Ultra Slim Recessed LED 5CCT 15W  
With Integral Driver In Connection Box



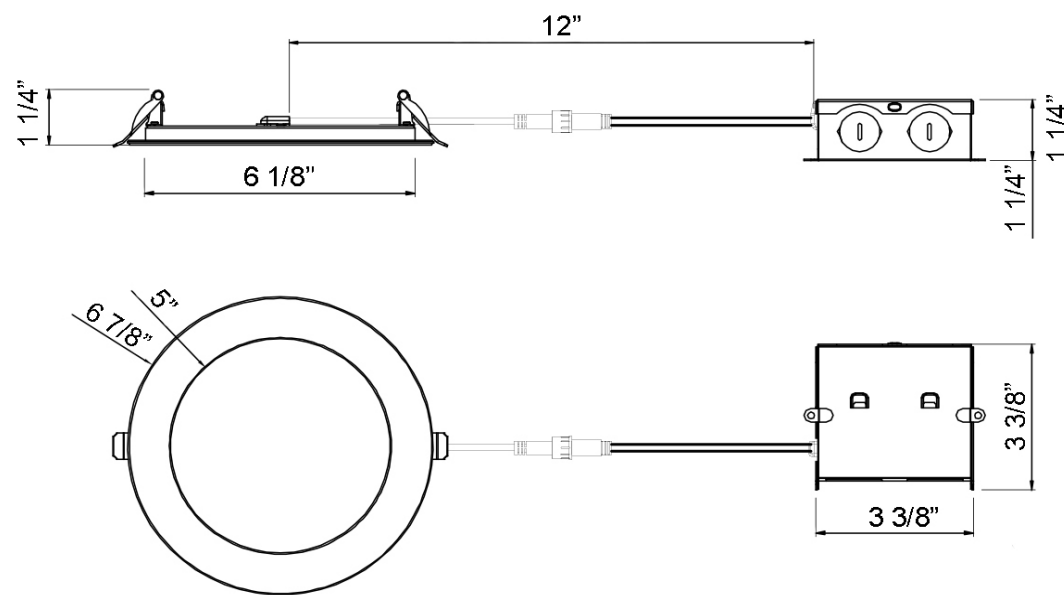
### FEATURES & BENEFITS

- 2 Hour Fire Rated** without additional housing or hardware
- Type IC & Air-Tight Rated** - No Housing Required
- Heat Resistant Steel Casing** provides up to 2 Hour Fire Protection
- Heavy Duty Steel Spring Clips** for easy installation
- 1 1/4" Spring Height** for installations on 2 x 5/8" drywall
- Plenum Rated Cable** for Commercial Installations
- 1/2" Thin** - Install Directly Under Ceiling Joists
- Driver Inside Connection Box** - No Junction Box Needed
- 5 CCT** User Selectable Light Colors
- CRI 90+** for True Color Rendering

SPECIFICATION	
Applications	Multi-Family Residential, Basements & Commercial
Energy Used	15 W
Color Temperature (K)	2700 - 3000 - 3500 - 4000 - 5000
Light Output (lm)	960 - 1030 - 1080 - 1100 - 1050
Halogen Equivalent	90 W
Beam Angle	110°
CRI	90+
Driver Input	120V AC 50/60 Hz
Dimming	TRIAC Dimmers 10% - 100%
Junction Box Volume	9.69 cubic inches / Max 5 No 12 AWG or 8 No 14 AWG
Approved Location	Insulated Ceiling & Damp Locations
Cable	FT6 / CMP Plenum Rated
Air Tight & Type IC	Yes
Ambient Temperature	-4°F (-20°C) to +104°F (+40°C)
Projected Life	70% Light Output at 50,000 Hours
Certification	cETLus
Fire Rating	UL 263-2011(R2022), STM E119-20 & CAN/ULC-S101-14
Warranty	3 Year

**DIMENSIONS** ID 6 1/8" OD 6 7/8" **Cut Out 6 1/4"**  
Fixture Thickness: 1/2"

120V Triac Dimmable Driver Included



### ORDERING GUIDE

	CCT	Trim
<b>FR-LED-6-S15W-5CCT-PL-WH</b>	5CCT	White
5CCT: 2700 - 3000 - 3500 - 4000 - 5000K		



Stock trim - White. Other Trim Colors Available By Custom Order

### ACCESSORIES

Sold Separately

- [13" Mounting Plate Flat model # MP6-2](#)
- [26" Flat Rough-In Plates model # RIP6](#)
- [Flanged Plate with Hanger Bars - model # FRP6](#)
- [Jumper Cable 10 ft. 5 CCT Model # FR-JC-5CCT-10](#)
- [Goof Ring White OD 7 5/8" model # GR6](#)

<b>Lotus LED Lights USA</b> 250 H Street # 301, Blaine WA 98230 tel 360-200-5500 Hainesport NJ, Naples FL, Vancouver WA	<a href="http://www.LotusLEDLights.com">www.LotusLEDLights.com</a> mailing addresses warehouses	<b>Lotus LED Lights CANADA</b> 702 Chester Rd, Delta BC V3M 6J1 tel 604-538-3090 Delta BC, Mississauga ON
---	---	---