

motor operator 110-230V AC/110-250V DC accessory for: 3VA6 150/250 3VA5 250



Model	
product brand name	SENTRON
product designation	Accessories
design of the product	Motorized operating mechanism (MO)
General technical data	
make time / typical	1 s
break time / typical	1 s
Voltage	
type of voltage / of the operating voltage / for actuation	AC/DC
Rated control supply voltage $U_s$ at AC 50 Hz	
• minimum	110 V
• maximum	230 V
• Rated control supply voltage $U_s$ at AC 60 Hz / minimum	110 V
• Rated control supply voltage $U_s$ at AC 60 Hz / maximum	230 V
Rated control supply voltage $U_s$ with DC	
• minimum	110 V
• maximal	250 V
operating apparent power	250 VA
Mechanical Design	
height	75 mm
width	105 mm
depth	132 mm
connectable conductor cross-section / solid	
• minimum	1.5 mm <sup>2</sup>
• maximum	2.5 mm <sup>2</sup>
connectable conductor cross-section / finely stranded / with core end processing	
• minimum	1.5 mm <sup>2</sup>
• maximum	2.5 mm <sup>2</sup>
connectable conductor cross-section / stranded	
• minimum	1.5 mm <sup>2</sup>
• maximum	2.5 mm <sup>2</sup>
ambient temperature / during operation	
• minimum	-25 °C
• maximum	70 °C
tightening torque	
• minimum	0.36 N·m
• maximum	0.44 N·m
ambient temperature / during storage	

- minimum
- maximum

-40 °C  
80 °C

#### Connections according IEC

stripped length 7 mm

#### Further information

Siemens has decided to exit the Russian market (see here).

<https://press.siemens.com/global/en/pressrelease/siemens-wind-down-russian-business>

Siemens is working on the renewal of the current EAC certificates.

Please contact your local Siemens office on the status of validity of the EAC certification if you intend to import or offer to supply these products to an EAC relevant market (other than the sanctioned EAEU member states Russia or Belarus).

Information on the packaging

<https://support.industry.siemens.com/cs/ww/en/view/109813875>

Information- and Downloadcenter (Catalogs, Brochures,...)

<http://www.siemens.com/lowvoltage/catalogs>

Industry Mall (Online ordering system)

<https://mall.industry.siemens.com/mall/en/en/Catalog/product?mlfb=3VA9277-0HA20>

Service&Support (Manuals, Certificates, Characteristics, FAQs,...)

<https://support.industry.siemens.com/cs/ww/en/ps/3VA9277-0HA20>

Image database (product images, 2D dimension drawings, 3D models, device circuit diagrams, ...)

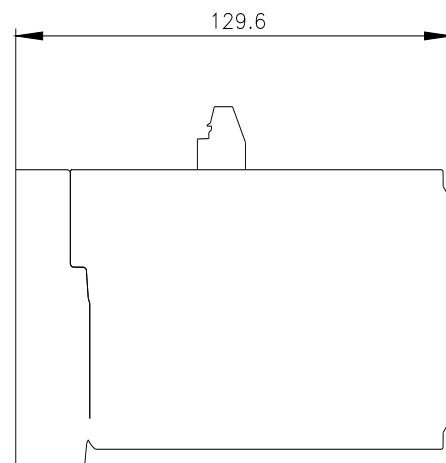
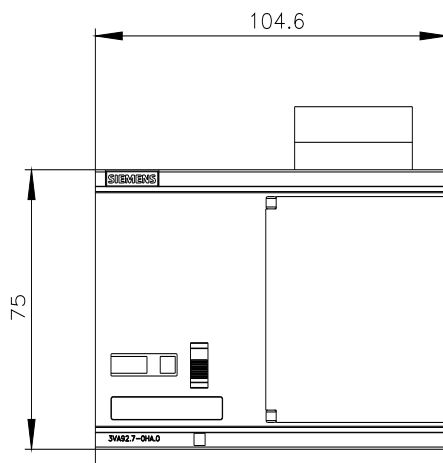
[http://www.automation.siemens.com/bilddb/cax\\_en.aspx?mlfb=3VA9277-0HA20](http://www.automation.siemens.com/bilddb/cax_en.aspx?mlfb=3VA9277-0HA20)

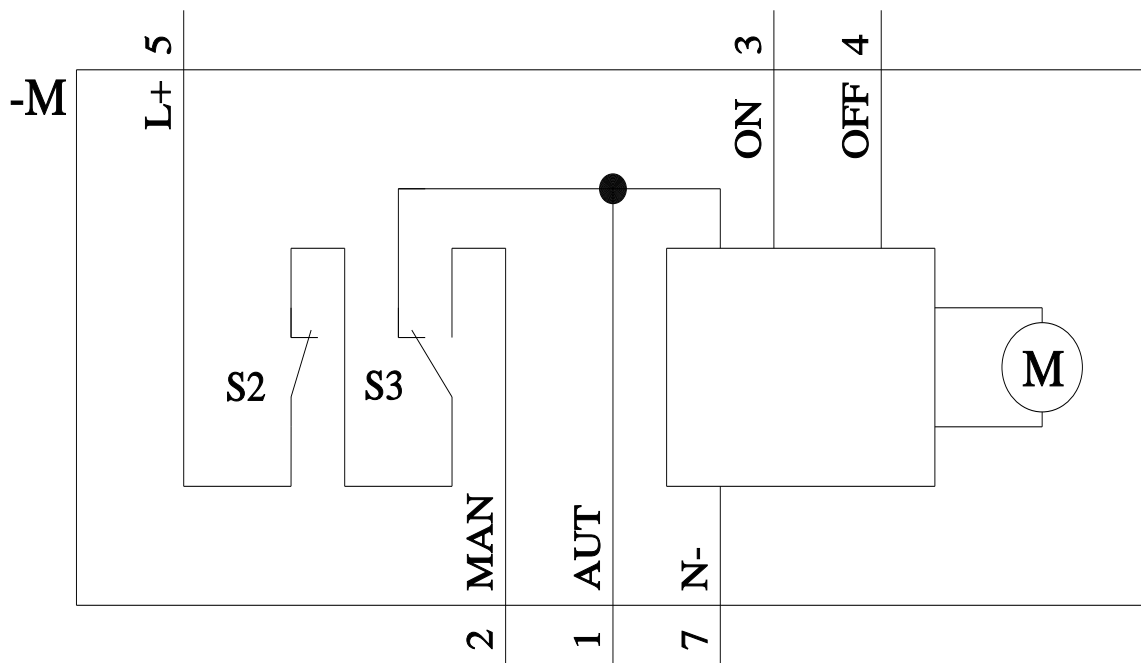
CAX-Online-Generator

<http://www.siemens.com/cax>

Tender specifications

<http://www.siemens.com/specifications>





last modified:

8/15/2023 

