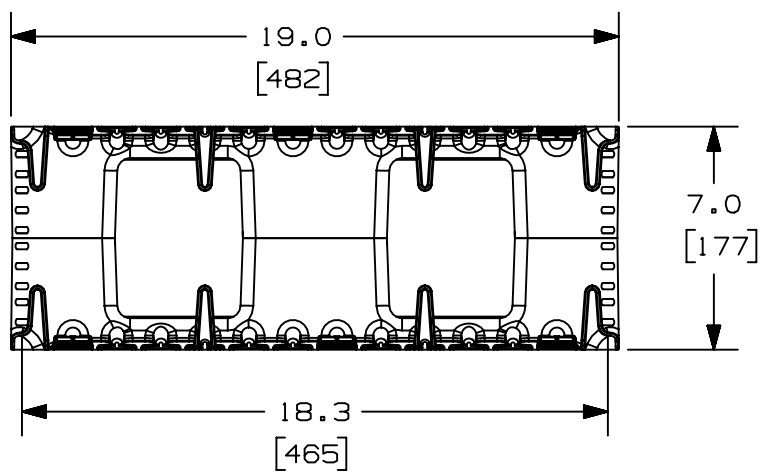


2

1

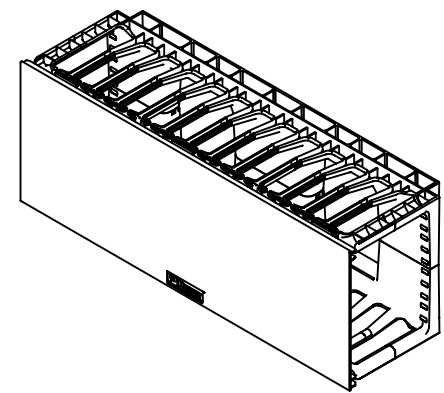
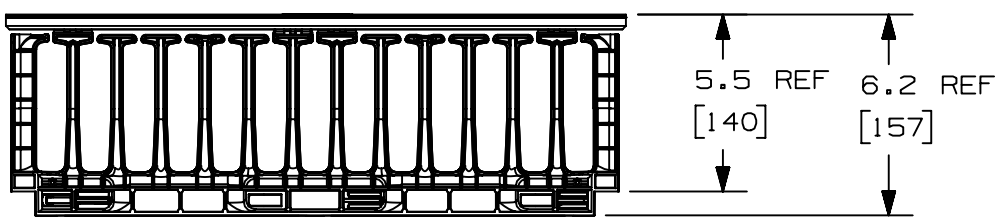
THIS COPY IS PROVIDED ON A RESTRICTED BASIS AND IS NOT TO BE USED IN ANY WAY DETRIMENTAL TO THE INTERESTS OF PANDUIT CORP.

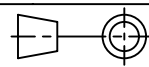


PANDUIT P/N	WEIGHT
NMF4 NMF4WH	2.6 LBS/EACH 1179 g/EACH

- NOTES:
- VISIT OUR ON-LINE CATALOG AT WWW.PANDUIT.COM FOR A CURRENT LIST OF PRODUCTS APPLICABLE FOR USE WITH THIS PART.
 - COMPONENTS:
1- 4RU MANAGER (FRONT ONLY)
1- 4RU 19" COVER
 - DIMENSIONS IN PARENTHESIS ARE METRIC.

MAX STORAGE TEMPERATURE 65° C (149° F)
MAX OPERATING TEMPERATURE 60° C (140° F)



TITLE		NMF4 CABLE MANAGER		
		CUSTOMER DRAWING		
ITEM REVISION NAME		V10404AJ/03		
DATASET FILE NAME		V10404AJ_DC/03B		
		THIRD ANGLE PROJECTION		
MATERIAL		MANAGER: ABS 4RU COVER: PVC		DRAWING NUMBER
				10404-18
DRAWN BY	DATE	CHK	SCALE	SIZE
BAME	3-5-07	TCK	NONE	A

A-SIZE CUSTOMER

03B	4-29-20	JBO	JCO	JEFK	ADDED TEMPERATURE NOTE	M09000LT
REV	DATE	BY	CHK	APR	DESCRIPTION	ECN

2

1