



WL-LED26

Outdoor Wall Light



Colour Selectable

3K 4K 5K

REPLACES 70W HPS

IDEAL APPLICATIONS

- Townhouses
- Strip Malls
- Entrances/Exits
- Building Perimeters
- Man Doors
- Loading Areas

DESCRIPTION:

The WL-LED 26 is a compact, easy to install, and affordable wall light that is an ideal replacement for 70W HPS wall packs. This color selectable unit is a great security lighting option for building entrances and perimeters, loading areas, walkways, and exit doors.

FEATURES:

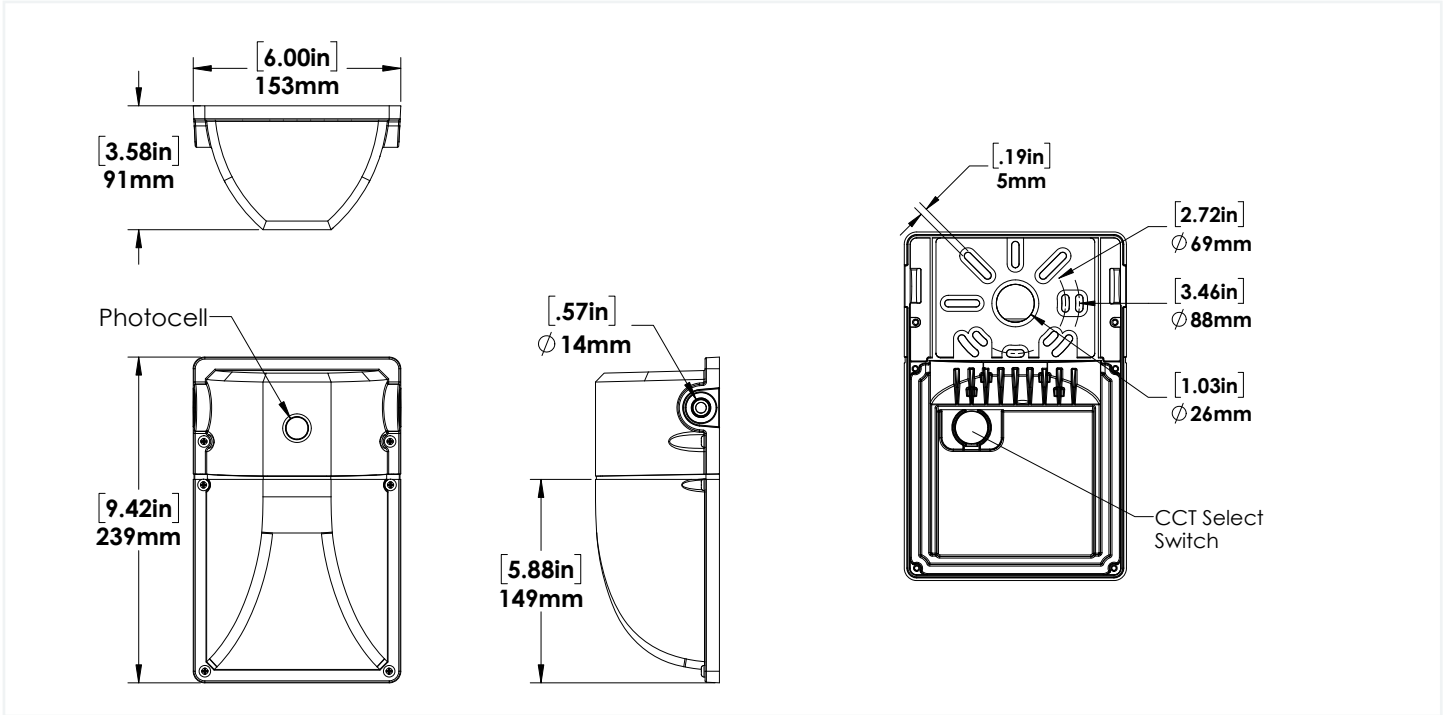
- Die cast aluminum back plate with polycarbonate front.
- Clear, ribbed polycarbonate lens that creates a bright, wide spread illumination.
- Similar footprint to a 70W HPS wall pack.
- CCT Select Unit - Choose between 3000K/4000K/5000K using a switch that is located behind a rubber plug on the back plate.
- Electronic photocell included with fixture for dusk to dawn operation. Photocell can be disconnected during installation if needed.
- Quick and easy to install – Front cover can be hung on to the back plate with an attached aircraft cable allowing Installer to use both hands for wiring.
- Two 1/2" knockouts for conduit entries (1 on each side) and one 1" knockout on the back plate facilitates daisy chaining of fixtures.

SPECIFICATIONS*	WL-LED26
Power	25.56W
Lumens	3317.93 Lm
Efficacy	129.8 Lm/W
Voltage	120-277V
CCT	Colour Selectable (3000K/4000K**/5000K
CRI	77.3
Dimming	0-10V Dim to Off
THD	9.4%
PF	0.99
LED Life (L80)	>54000 Hours
Housing Finish	Bronze
Housing Details	Die Cast Aluminum
Lens Details	Clear Ribbed Polycarbonate Lens
Mounting	Wall Mount
Number of Conduit Entries	Two 1/2" Side knockouts, One 1" Conduit on the back
B-U-G	B1-U3-G2
Surge Protection	2.5kV
Operating Temp.	-40°C to +40°C (-40°F to 104°F)
Certifications	cETLus certified per UL1598 & CSA C22.2 NO. 250.0:21, Wet Location, IP65, 5 Year Warranty, DLC 5.1

* Specs shown are for 120V/4000K
 ** Default factory setting is at 4000K

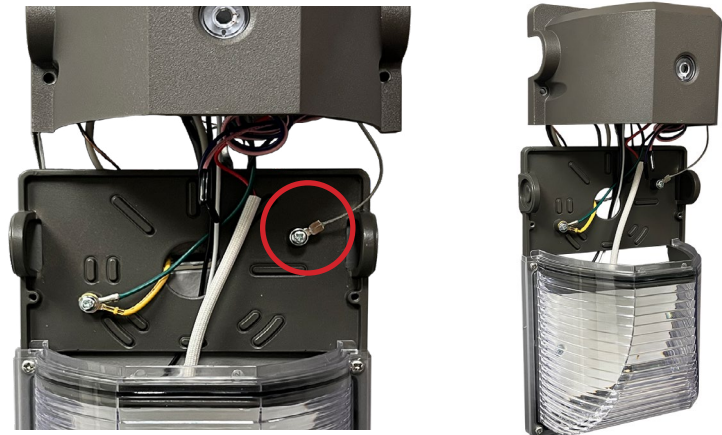


DIMENSIONS:



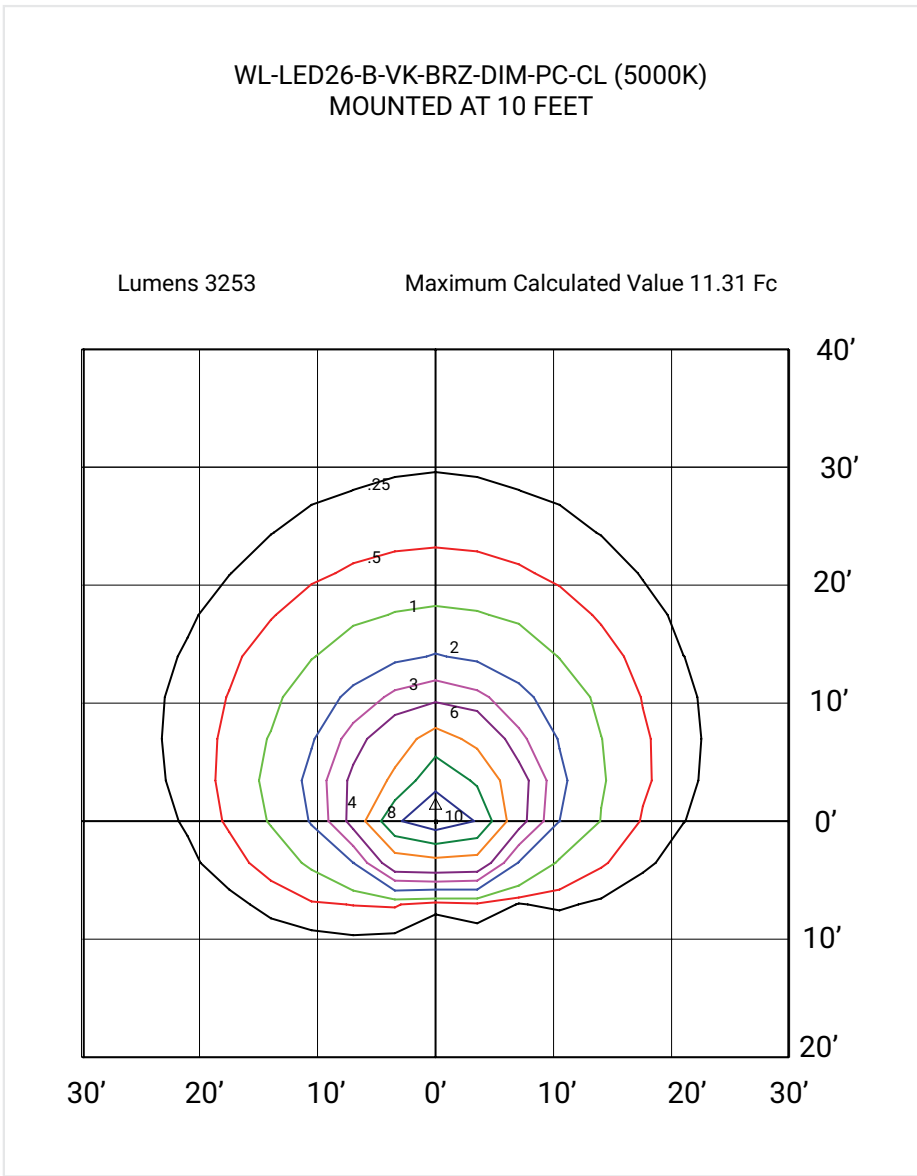
EASY INSTALLATION

Front cover can be hung on to the back plate with an attached aircraft cable allowing installer to use both hands for wiring.



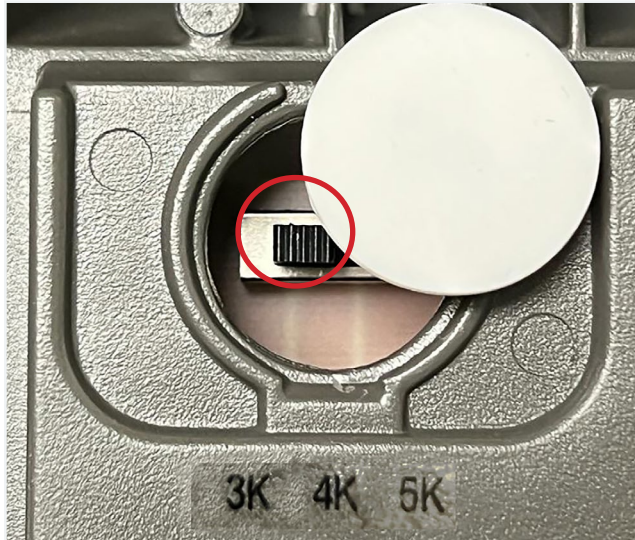
AMPERAGE DRAW & SURGE PROTECTION

	CURRENT (A)				SURGE PROTECTION (kV)
	120V	208V	240V	277V	120-277V
WL-LED26	0.23A	0.14A	0.12A	0.10A	2.5kV



COLOUR TEMPERATURE SELECTABLE SWITCH

Choose between 3000K/4000K/5000K using a switch that is located behind a rubber plug on the back plate.
(Default factory setting is at 4000K).



ORDERING GUIDE:

WL	LED26	B	VK	BRZ	DIM	PC	CL
Fixture	Wattage	Voltage	Colour Temp.	Finish	Dimming	Controls	Lens
	LED26	B - 120-277V	VK - Colour Selectable (3000K/4000K/5000K)	BRZ - Bronze	DIM - 0 -10V Dimming	PC - Photocell	CL - Clear Lens

STOCK CODE	DESCRIPTION
093806	WL-LED26-B-VK-BRZ-DIM-PC-CL

Note: Photocell can be disabled by unplugging the driver wires from it.

ORDERING GUIDE FOR ACCESSORIES

Options Sold Separately

Check the items that you wish to order:

- 098016 - WIRE CAGE ZINC PLATED STEEL F/W