

Individual Spec Sheet

VTL4-L GEN 2

3 CCT AND 3 POWER SELECT, NEMA 4X, NSF VAPOR TIGHT

ORDERING INFORMATION

Order code: 69566
Model number: VTL4-PS42B-Q-3C
UPC: 069549027732
Case quantity: 1
DLC unique ID: S-48IUZM (DLC Premium) / S-QKODFL (DLC Standard)

PHYSICAL DATA

Length in. (cm): 47.04 x 4.33 x 4.92" (119.5 x 11 x 12.5 cm)
Lens material: Frosted PC
Latch material: Stainless Steel
Housing material: Polycarbonate
Mounting: Surface, suspended

PERFORMANCE DATA

Watts (W): 30/35/42
Volts (V AC): 120-347
Color temperature (K): 3 CCT (3 500/4 000/5 000 K)
Lumen output (lm): 5 880
Efficacy (lm/W): 140
CRI: 80+
Life L70 (h): > 54 000
Tested LM-80 (h): 9 000
Dimming: 0-10 V
Power factor: >0.90
THD (%): <20
Frequency (Hz): 50/60
Operating temp. range: -40°C to +40°C (-40°F to +104°F)

¹ Typical color temperature range: +/- 5 %.

² Lumen values are derived from photometric testing. Initial lumens range: +/- 10 %.

³ Life hours are derived from IESNA LM80-08 testing report and projected per IESNA TM-21-11 extrapolations.

LUMEN SPECIFICATION TABLE

Watts (W)	3 500 K		4 000 K		5 000 K	
	Lumen output (lm)	Efficacy (lm/W)	Lumen output (lm)	Efficacy (lm/W)	Lumen output (lm)	Efficacy (lm/W)
30	4 351	135	4 523	140	4 443	137
35	4 860	133	5 052	139	4 963	136
42	5 647	132	5 870	137	5 766	135

DEFAULT PROGRAMMING

42 W / 4 000 K



IK10



ICES 005



Not all products are qualified on the DLC QPL. To view our DLC qualified products, please consult the DLC Qualified Products List at www.designlights.org/search.

ACCESSORIES (order separately)

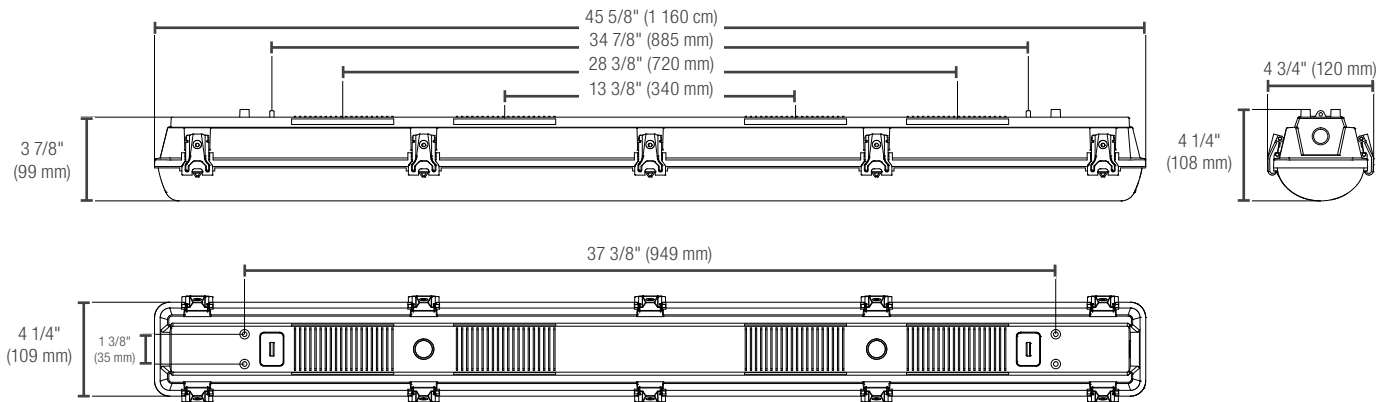
Order code	Type
69588	Surface Mounting Brackets and V-Hooks (set of 2pcs)
69589	90° Angle Brackets (set of 2pcs)
69590	Tamper Proof Brackets (set of 2pcs)
69668	Junction Box Bracket (set of 1pc)

COMPATIBLE DIMMERS¹

Brand	Model
LUTRON	DVSTV-453P, MAESTRO MS-Z101
LEVITON	DS710-10Z, DD710-BDZ, IP710-LFZ

Dimming range: 10 %-100 %
¹ This table shows dimmers that have been tested and have demonstrated proper operation under normal conditions. Each installation being unique, various factors such as load, common neutrals or other electrical products on the circuit can, in certain instances, cause variance in system performance. Read and comply to the dimmer installation instructions. Consult dimming system manufacturer for additional support in operation. Some dimmers may require more than one product for stable operation. Stanpro recommends to use dimmers designed to work with LED products. Older dimmers designed for incandescent products may cause erratic operation.

DIMENSIONS

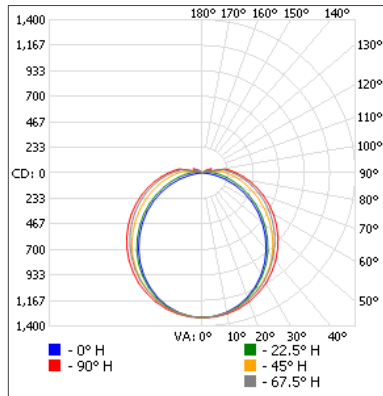


Data is based upon tests performed in a controlled environment. Actual performance can vary depending on operating conditions. All products are subject to change or may be discontinued any time without notice. Please contact your Stanpro customer service representative to confirm inventory levels at time of order.

PHOTOMETRIC DATA¹

69566 • VTL4-PS42B-Q-3C • 30 W • 4 000 K • 4 545 lm

Polar candela distribution



Zonal lumen summary

Zone	Lumens	% Fixture
0-30	1 025.3	22.6
0-40	1 682.6	37
0-60	3 024.8	66.6
60-90	1 236.2	27.2
70-100	856.9	18.9
90-120	256.5	5.6
0-90	4 261.0	93.7
90-180	284.2	6.3
0-180	4 545.2	100

Illuminance at a distance

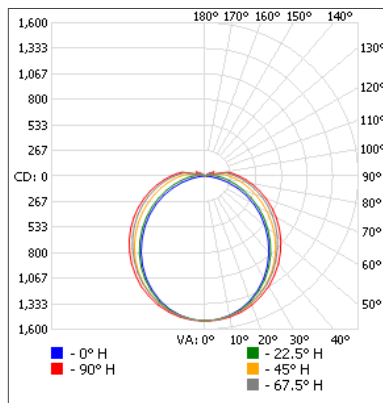
Center beam fc	Beam width
1.7'	457
3.3'	121
5.0'	52.9
6.7'	29.5
8.3'	19.2
10.0'	13.2

Beam width	4.5'	7.5'
1.7'	8.7'	14.6'
3.3'	13.2'	22.1'
5.0'	17.7'	29.6'
6.7'	22.0'	36.6'
8.3'	26.5'	44.1'

Vert. spread: 105.9°
Horiz. spread: 131.2°

69566 • VTL4-PS42B-Q-3C • 35 W • 4 000 K • 5 193 lm

Polar candela distribution



Zonal lumen summary

Zone	Lumens	% Fixture
0-30	1 171.4	22.6
0-40	1 922.4	37
0-60	3 456.0	66.5
60-90	1 412.4	27.2
70-100	979.1	18.9
90-120	293.1	5.6
0-90	4 868.3	93.7
90-180	324.7	6.3
0-180	5 193.0	100

Illuminance at a distance

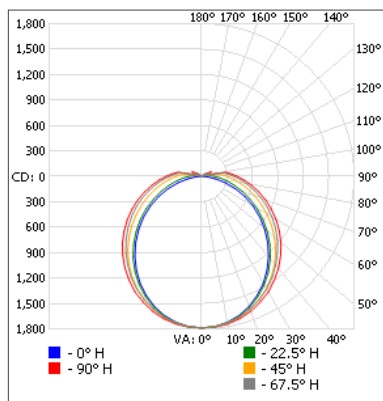
Center beam fc	Beam width
1.7'	523
3.3'	139
5.0'	60.4
6.7'	33.7
8.3'	21.9
10.0'	15.1

Beam width	4.5'	7.5'
1.7'	8.7'	14.6'
3.3'	13.2'	22.1'
5.0'	17.7'	29.6'
6.7'	22.0'	36.6'
8.3'	26.5'	44.1'

Vert. spread: 105.9°
Horiz. spread: 131.2°

69566 • VTL4-PS42B-Q-3C • 42 W • 4 000 K • 6 144 lm

Polar candela distribution



Zonal lumen summary

Zone	Lumens	% Fixture
0-30	1 385.9	22.6
0-40	2 274.4	37
0-60	4 088.8	66.5
60-90	1 671.0	27.2
70-100	1 158.3	18.9
90-120	346.7	5.6
0-90	5 759.7	93.7
90-180	384.1	6.3
0-180	6 143.9	100

Illuminance at a distance

Center beam fc	Beam width
1.7'	618
3.3'	164
5.0'	71.5
6.7'	39.8
8.3'	25.9
10.0'	17.9

Beam width	4.5'	7.5'
1.7'	8.7'	14.6'
3.3'	13.2'	22.1'
5.0'	17.7'	29.6'
6.7'	22.0'	36.6'
8.3'	26.5'	44.1'

Vert. spread: 105.9°
Horiz. spread: 131.2°

¹ Complete IES files available on our website.

Data is based upon tests performed in a controlled environment. Actual performance can vary depending on operating conditions. All products are subject to change or may be discontinued any time without notice. Please contact your Stanpro customer service representative to confirm inventory levels at time of order.