

Individual Spec Sheet

VTL4-L GEN 2

3 CCT AND 3 POWER SELECT, NEMA 4X, NSF VAPOR TIGHT

ORDERING INFORMATION

Order code: 69567
Model number: VTL4-PS65B-Q-3C
UPC: 069549027749
Case quantity: 1
DLC unique ID: S-8E752G (DLC Premium) / S-B69105 (DLC Standard)

PHYSICAL DATA

Length in. (cm): 47.04 x 4.33 x 4.92" (119.5 x 11 x 12.5 cm)
Lens material: Frosted PC
Latch material: Stainless Steel
Housing material: Polycarbonate
Mounting: Surface, suspended

PERFORMANCE DATA

Watts (W): 30/45/65
Volts (V AC): 120-347
Color temperature (K):¹ 3 CCT (3 500/4 000/5 000 K)
Lumen output (lm):² 9 100
Efficacy (lm/W): 140
CRI: 80+
Life L70 (h):³ > 54 000
Tested LM-80 (h):³ 9 000
Dimming: 0-10 V
Power factor: >0.90
THD (%): <20
Frequency (Hz): 50/60
Operating temp. range: -40°C to +40°C (-40°F to +104°F)

¹ Typical color temperature range: +/- 5 %.

² Lumen values are derived from photometric testing. Initial lumens range: +/- 10 %.

³ Life hours are derived from IESNA LM80-08 testing report and projected per IESNA TM-21-11 extrapolations.

LUMEN SPECIFICATION TABLE

| Watts (W) | 3 500 K | | 4 000 K | | 5 000 K | |
|-----------|-------------------|-----------------|-------------------|-----------------|-------------------|-----------------|
| | Lumen output (lm) | Efficacy (lm/W) | Lumen output (lm) | Efficacy (lm/W) | Lumen output (lm) | Efficacy (lm/W) |
| 30 | 4 278 | 142 | 4 439 | 147 | 4 288 | 142 |
| 45 | 6 154 | 136 | 6 385 | 142 | 6 169 | 137 |
| 65 | 8 675 | 133 | 9 001 | 138 | 8 696 | 133 |

DEFAULT PROGRAMMING

65 W / 4 000 K



IK10



Not all products are qualified on the DLC QPL. To view our DLC qualified products, please consult the DLC Qualified Products List at www.designlights.org/search.

ACCESSORIES (order separately)

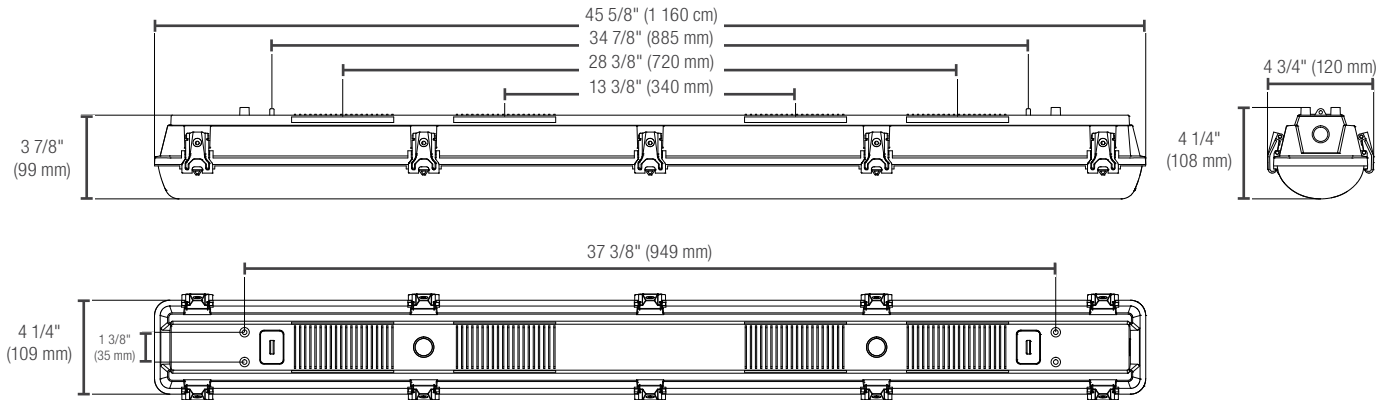
| Order code | Type |
|------------|---|
| 69588 | Surface Mounting Brackets and V-Hooks (set of 2pcs) |
| 69589 | 90° Angle Brackets (set of 2pcs) |
| 69590 | Tamper Proof Brackets (set of 2pcs) |
| 69668 | Junction Box Bracket (set of 1pc) |

COMPATIBLE DIMMERS¹

| Brand | Model |
|---------|---------------------------------|
| LUTRON | DVSTV-453P, MAESTRO MS-Z101 |
| LEVITON | DS710-10Z, DD710-BDZ, IP710-LFZ |

Dimming range: 10 %-100 %
¹ This table shows dimmers that have been tested and have demonstrated proper operation under normal conditions. Each installation being unique, various factors such as load, common neutrals or other electrical products on the circuit can, in certain instances, cause variance in system performance. Read and comply to the dimmer installation instructions. Consult dimming system manufacturer for additional support in operation. Some dimmers may require more than one product for stable operation. Stanpro recommends to use dimmers designed to work with LED products. Older dimmers designed for incandescent products may cause erratic operation.

DIMENSIONS

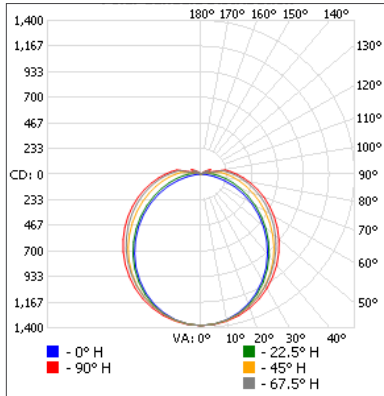


Data is based upon tests performed in a controlled environment. Actual performance can vary depending on operating conditions. All products are subject to change or may be discontinued any time without notice. Please contact your Stanpro customer service representative to confirm inventory levels at time of order.

PHOTOMETRIC DATA¹

69567 • VTL4-PS65B-Q-3C • 30 W • 4 000 K • 4 702 lm

Polar candela distribution



Zonal lumen summary

| Zone | Lumens | % Fixture |
|--------|---------|-----------|
| 0-30 | 1 065.4 | 22.7 |
| 0-40 | 1 745.7 | 37.1 |
| 0-60 | 3 127.9 | 66.5 |
| 60-90 | 1 273.7 | 27.1 |
| 70-100 | 888.3 | 18.9 |
| 90-120 | 269.8 | 5.7 |
| 0-90 | 4 401.6 | 93.6 |
| 90-180 | 300.4 | 6.4 |
| 0-180 | 4 702.0 | 100 |

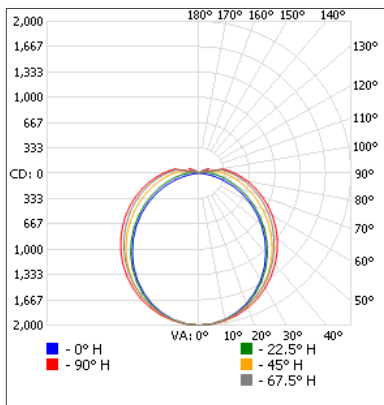
Illuminance at a distance

| Center beam fc | Beam width |
|----------------|-------------|
| 1.7' | 4.5' 7.3' |
| 3.3' | 8.7' 14.2' |
| 5.0' | 13.1' 21.4' |
| 6.7' | 17.6' 28.7' |
| 8.3' | 21.8' 35.6' |
| 10.0' | 26.2' 42.9' |

■ Vert. spread: 105.3°
■ Horiz. spread: 130.0°

69567 • VTL4-PS65B-Q-3C • 45 W • 4 000 K • 6 818 lm

Polar candela distribution



Zonal lumen summary

| Zone | Lumens | % Fixture |
|--------|---------|-----------|
| 0-30 | 1 544.8 | 22.7 |
| 0-40 | 2 531.2 | 37.1 |
| 0-60 | 4 535.5 | 66.5 |
| 60-90 | 1 846.9 | 27.1 |
| 70-100 | 1 288.1 | 18.9 |
| 90-120 | 391.2 | 5.7 |
| 0-90 | 6 382.3 | 93.6 |
| 90-180 | 435.5 | 6.4 |
| 0-180 | 6 817.9 | 100 |

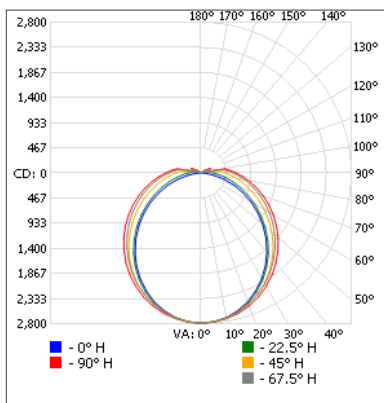
Illuminance at a distance

| Center beam fc | Beam width |
|----------------|-------------|
| 1.7' | 4.5' 7.3' |
| 3.3' | 8.7' 14.2' |
| 5.0' | 13.1' 21.4' |
| 6.7' | 17.6' 28.7' |
| 8.3' | 21.8' 35.6' |
| 10.0' | 26.2' 42.9' |

■ Vert. spread: 105.3°
■ Horiz. spread: 130.0°

69567 • VTL4-PS65B-Q-3C • 65 W • 4 000 K • 9 509 lm

Polar candela distribution



Zonal lumen summary

| Zone | Lumens | % Fixture |
|--------|---------|-----------|
| 0-30 | 2 154.4 | 22.7 |
| 0-40 | 3 530.2 | 31.7 |
| 0-60 | 6 325.3 | 66.5 |
| 60-90 | 2 575.7 | 27.1 |
| 70-100 | 1 796.4 | 18.9 |
| 90-120 | 545.5 | 5.7 |
| 0-90 | 8 901.0 | 93.6 |
| 90-180 | 607.4 | 6.4 |
| 0-180 | 9 508.5 | 100 |

Illuminance at a distance

| Center beam fc | Beam width |
|----------------|-------------|
| 1.7' | 4.5' 7.3' |
| 3.3' | 8.7' 14.2' |
| 5.0' | 13.1' 21.4' |
| 6.7' | 17.6' 28.7' |
| 8.3' | 21.8' 35.6' |
| 10.0' | 26.2' 42.9' |

■ Vert. spread: 105.3°
■ Horiz. spread: 130.0°

¹ Complete IES files available on our website.

Data is based upon tests performed in a controlled environment. Actual performance can vary depending on operating conditions. All products are subject to change or may be discontinued any time without notice. Please contact your Stanpro customer service representative to confirm inventory levels at time of order.