



Operating Unit with Rod Variable Depth Flange Mounted operator kit, consisting of: handle steel chrome plated NEMA 4/4X black=OFF, black=ON Switching mechanism Mounting depth 8" to 16" Accessory for: 3VA5 400, 3VA5 600 3VA6 400, 3VA6 600

Model	
product brand name	SENTRON
product designation	Accessories
design of the product	Operating unit with rod
accessories	Variable depth flange mounted operator

General technical data	
degree of protection NEMA rating	4/4X

Certificates		
General Product Approval	EMC	Declaration of Conformity



[Miscellaneous](#)



Marine / Shipping	other	Environment
-------------------	-------	-------------



LRS

[Confirmation](#)

[Miscellaneous](#)

[Miscellaneous](#)

[Environmental Confirmations](#)

Further information

Siemens has decided to exit the Russian market (see here).

<https://press.siemens.com/global/en/pressrelease/siemens-wind-down-russian-business>

Siemens is working on the renewal of the current EAC certificates.

Please contact your local Siemens office on the status of validity of the EAC certification if you intend to import or offer to supply these products to an EAC relevant market (other than the sanctioned EAEU member states Russia or Belarus).

Information on the packaging

<https://support.industry.siemens.com/cs/ww/en/view/109813875>

Information- and Downloadcenter (Catalogs, Brochures,...)

<http://www.siemens.com/lowvoltage/catalogs>

Industry Mall (Online ordering system)

<https://mall.industry.siemens.com/mall/en/en/Catalog/product?mlfb=3VA9478-0DK84>

Service&Support (Manuals, Certificates, Characteristics, FAQs,...)

<https://support.industry.siemens.com/cs/ww/en/ps/3VA9478-0DK84>

Image database (product images, 2D dimension drawings, 3D models, device circuit diagrams, ...)

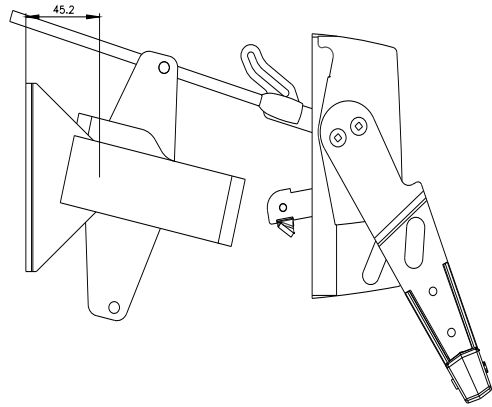
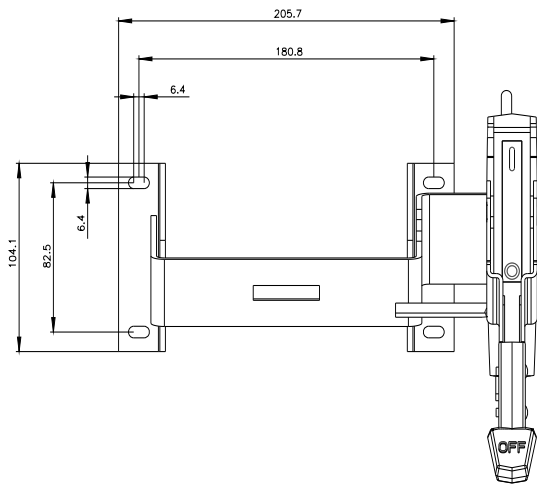
http://www.automation.siemens.com/bilddb/cax_en.aspx?mlfb=3VA9478-0DK84

CAX-Online-Generator

<http://www.siemens.com/cax>

Tender specifications

<http://www.siemens.com/specifications>



last modified:

4/20/2023 

