



circuit breaker 3VA6 UL frame 1000 breaking capacity class C 100kA @ 480 V 3-pole, line protection ETU320, LI, In=1000A overload protection Ir=400A ...1000A short circuit protection Ii=1,5...12 x In

| Model | |
|--|-----------------------------|
| product brand name | SENTRON |
| product designation | Molded-case circuit breaker |
| product designation / according to UL file | CMNAE |
| design of the product | System protection |
| design of the load switch / according to UL 489 / Heating, Air Conditioning, and Refrigeration circuit breaker (HACR Type) | Yes |
| design of the overcurrent release | ETU320 |
| protection function of the overcurrent release | LI |
| number of poles | 3 |
| General technical data | |
| insulation voltage / rated value | 800 V |
| operating voltage / at AC / rated value | 690 V |
| power loss [W] / maximum | 330 W |
| power loss [W] / for rated value of the current / at AC / in hot operating state / per pole | 110 W |
| mechanical service life (operating cycles) / typical | 10 000 |
| electrical endurance (operating cycles) / at AC-1 / at 380/415 V | 4 900 |
| electrical endurance (operating cycles) / at AC-1 / at 690 V | 3 400 |
| electrical endurance (operating cycles) / at 480 V | 4 900 |
| electrical endurance (operating cycles) / at 600 V | 3 400 |
| product feature / for neutral conductors / upgradable/retrofitable / short-circuit and overload proof | No |
| ground-fault monitoring version | without |
| product function | |
| • communication function | No |
| • other measurement function | No |
| Net Weight | 17.155 kg |
| Current | |
| marking / according to UL 489 / 100%-rated breaker | No |
| operational current | |
| • at 40 °C | 1 000 A |
| • at 45 °C | 940 A |
| • at 50 °C | 880 A |
| • at 55 °C | 840 A |
| • at 60 °C | 800 A |
| • at 65 °C | 750 A |
| • at 70 °C | 700 A |
| Switching capacity according to IEC 60947 | |
| switching capacity class of the circuit breaker | C |
| maximum short-circuit current breaking capacity (Icu) | |

| | |
|---|---|
| <ul style="list-style-type: none"> • at 240 V • at 415 V • at 690 V | 200 kA 110 kA 35 kA |
| operating short-circuit current breaking capacity (Ics) | |
| <ul style="list-style-type: none"> • at 240 V • at 415 V • at 690 V | 150 kA 85 kA 19 kA |
| short-circuit current making capacity (Icm) | |
| <ul style="list-style-type: none"> • at 240 V • at 415 V • at 690 V | 440 kA 242 kA 74 kA |
| Switching capacity according to UL 489 | |
| current breaking capacity | |
| <ul style="list-style-type: none"> • at 240 V • at 480 V • at 600 V | 200 kA 100 kA 50 kA |
| Adjustable parameters | |
| adjustable response value setting current (I _r) / of the L-trip / with I _{2t} characteristic | |
| <ul style="list-style-type: none"> • minimum • maximum | 400 A 1 000 A |
| adjustable response value delay time (t _r) / for L-tripping / with I _{2t} characteristic | |
| <ul style="list-style-type: none"> • minimum • maximum | 0.5 s 17 s |
| adjustable response value setting current (I _i) / for I-tripping | |
| <ul style="list-style-type: none"> • minimum • maximum | 1 500 A 10 000 A |
| adjustable setting current (I _{nN}) / for N-tripping | |
| <ul style="list-style-type: none"> • minimum • maximum | 0 A 0 A |
| adjustable current response value current / of instantaneous short-circuit trip unit | |
| <ul style="list-style-type: none"> • minimum • maximum | 1 500 A 10 000 A |
| product function / grounding protection | No |
| Mechanical Design | |
| product component | |
| <ul style="list-style-type: none"> • undervoltage release • voltage trigger • trip indicator | No No No |
| height [in] | 12.91 in |
| height | 328 mm |
| width [in] | 8.27 in |
| type of connectable conductor cross-sections / of the round conductor terminal / stranded | 4 x (4/0 - 500 kcmil) |
| width | 210 mm |
| depth [in] | 4.72 in |
| depth | 120 mm |
| Connections | |
| arrangement of electrical connectors / for main current circuit | Front connection |
| type of electrical connection / for main current circuit | circular conductor terminal on both sides |
| Auxiliary circuit | |
| number of CO contacts / for auxiliary contacts | 0 |
| Accessories | |
| product extension / optional / motor drive | No |
| Environmental conditions | |
| protection class IP / on the front | IP40 |
| ambient temperature | |
| <ul style="list-style-type: none"> • during operation / minimum • during operation / maximum | -25 °C 70 °C |

- during storage / minimum
- during storage / maximum

-40 °C
80 °C

Certificates

| | |
|--|-----|
| reference code / according to IEC 81346-2 | Q |
| certificate of suitability / as approval for NAVAL (no combat vessels) / supplement SB | Yes |

General Product Approval

[Confirmation](#)



[Miscellaneous](#)



EMC Declaration of Conformity Test Certificates Marine / Shipping



EG-Konf.

[Type Test Certificates/Test Report](#)



Marine / Shipping other



[Confirmation](#)

[Miscellaneous](#)

[Miscellaneous](#)

Dangerous Good

[Transport Information](#)

Further information

Siemens has decided to exit the Russian market (see here).

<https://press.siemens.com/global/en/pressrelease/siemens-wind-down-russian-business>

Siemens is working on the renewal of the current EAC certificates.

Please contact your local Siemens office on the status of validity of the EAC certification if you intend to import or offer to supply these products to an EAC relevant market (other than the sanctioned EAEU member states Russia or Belarus).

Information on the packaging

<https://support.industry.siemens.com/cs/ww/en/view/109813875>

Information- and Downloadcenter (Catalogs, Brochures,...)

<http://www.siemens.com/lowvoltage/catalogs>

Industry Mall (Online ordering system)

<https://mall.industry.siemens.com/mall/en/en/Catalog/product?mlfb=3VA6610-7HL36-0AA0>

Service&Support (Manuals, Certificates, Characteristics, FAQs,...)

<https://support.industry.siemens.com/cs/ww/en/ps/3VA6610-7HL36-0AA0>

Image database (product images, 2D dimension drawings, 3D models, device circuit diagrams, ...)

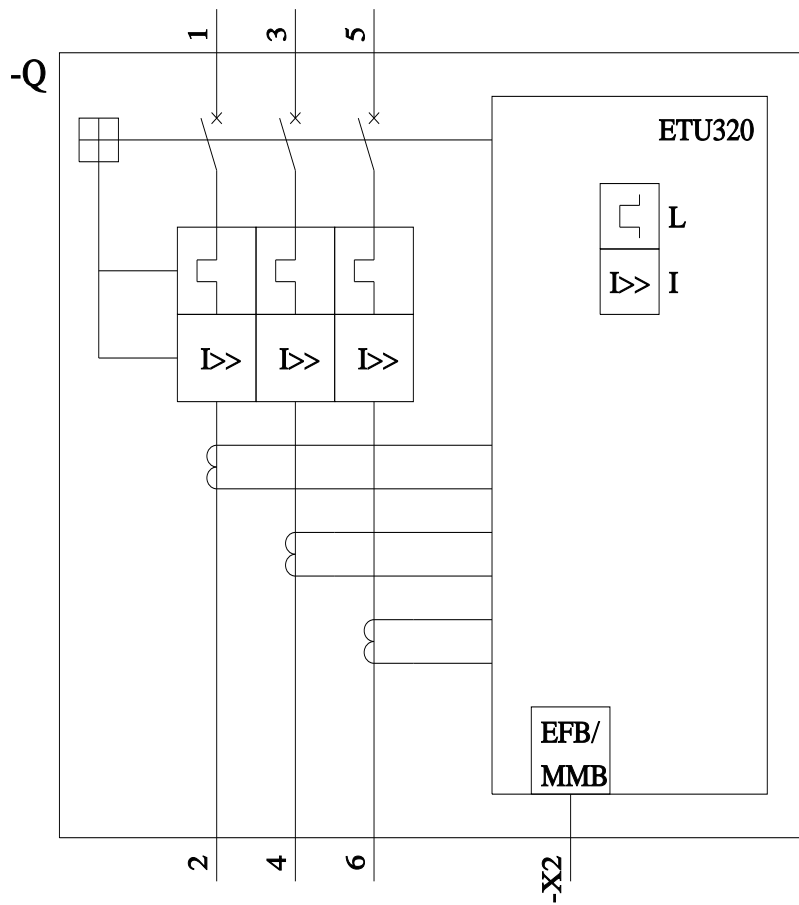
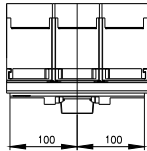
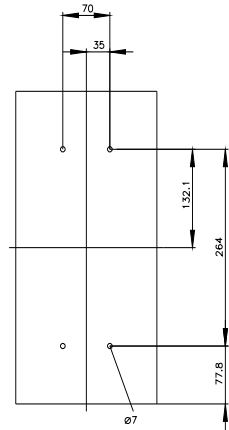
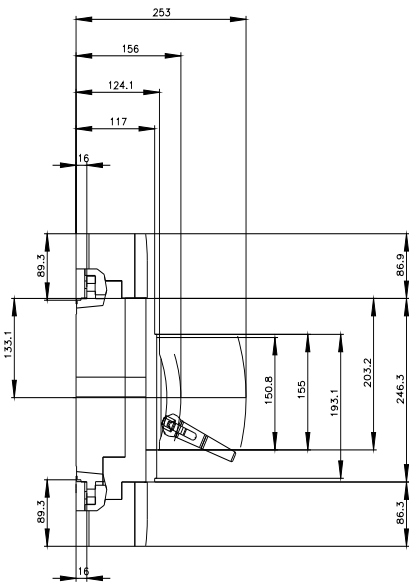
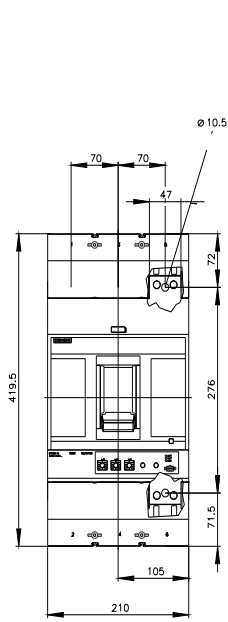
http://www.automation.siemens.com/bilddb/cax_en.aspx?mlfb=3VA6610-7HL36-0AA0

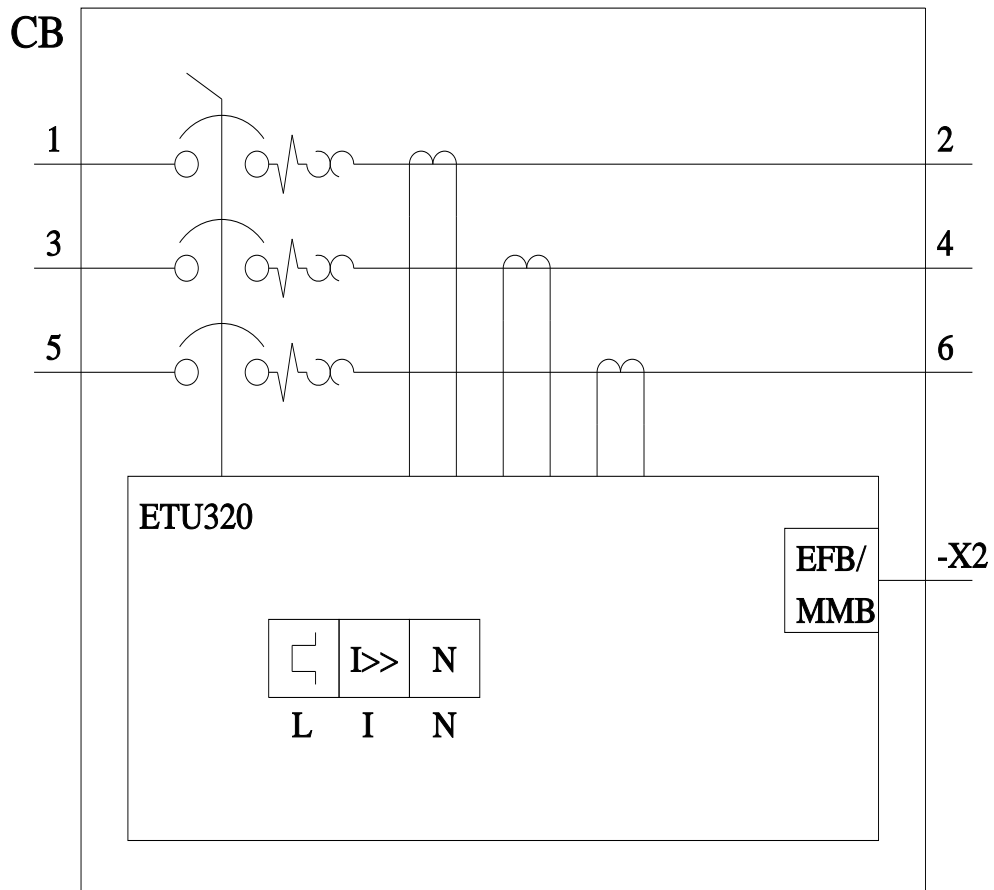
CAX-Online-Generator

<http://www.siemens.com/cax>

Tender specifications

<http://www.siemens.com/specifications>





last modified:

8/14/2023

