



Ø4"

Project:	Type:	QTY:
Product Code:		



Product Code

IP53 - ADJ4SD - FINISH	INTENSITY DATA	VOLTAGE	ACCESSORIES
W=White	6W927 =2700K 90CRI 560lm	120=120V	TP =mounting plate
B =Black	6W830 =3000K 80CRI 700lm		ATB=IC/AT housing
A =Aluminum	6W9DTW319=90 CRI 650lm dim to warm from 3000K to 1900K		

Features + Specifications

Intended Use:

- Building interior
- Directional 4in recessed mount
- Tilt 78°, rotates 350°
- IC rated without housing
- Damp location listed

Construction:

- Die-cast aluminum trim ring
- Die-cast aluminum heat sink body
- Die-cast aluminum rotating plate

Finish:

- White and Black are powder coat paint finish
- Aluminum is anodized/plating finish

Optical System:

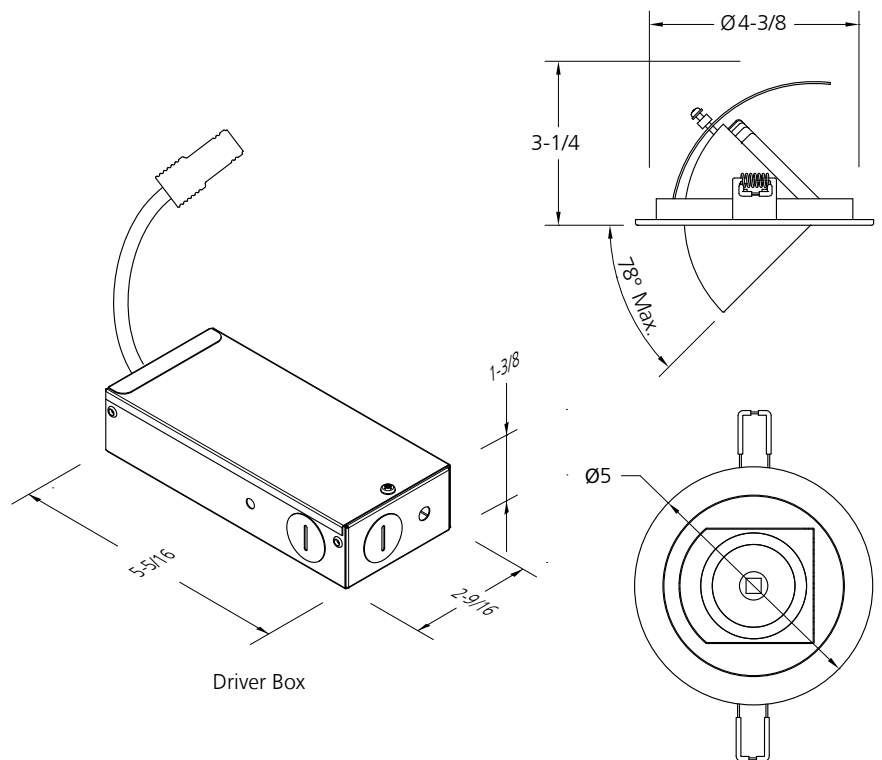
- 6W COB light engine with 30° reflector cone
- 2700K CCT 90 CRI & 3000K CCT 80 CRI
- Dim to warm COB 90CRI 3000K to 1900K
- Clear lens to protect COB and reflector cone
- 50000+ hours life rating

Electrical System:

- Constant current plug and play driver box
- HPF low THD, high efficiency design
- Short circuit and overheat protected
- RoHS compliant

Accessories: (optional)

- Mounting plate
- Air tight IC box



Certified to CSA C22.2 No.250.0 Conformed to UL 1598

Certification Marks (where applicable) will be found on our luminaires and its components



www.iplighting.com

