

BA | BELLA™

HIGH-END BASEBOARD



LA DOLCE VITA WITH BELLA

The high-end Bella baseboard is undoubtedly the most beautiful offered on the market. Its breathtaking design and sturdy aluminum-extruded facade make it the ideal choice for residential and commercial locations. The Bella is available in two densities: 150 W or 250 W per linear foot.

- **CLEAN AND HIGH-END FINISH**
- **EXTREMELY SOLID, IMPACT AND RUST RESISTANT**
MADE OF EXTRUDED ALUMINUM
- **FIT FOR RESIDENTIAL AND COMMERCIAL ENVIRONMENTS**
- **TOTALLY QUIET**

COLOURS

- **standard:** white
- **Orora (optional):** refer to www.stelpro.com/en-CA/Orora

FINISH

- epoxy-polyester powdercoat

MANUFACTURING

- 22-gauge steel cabinet
- 11-gauge equivalent extruded aluminum with molded and curved end-caps
- discreet air inlet: air enters through the front of the unit and exits from the top
- thermal protection with automatic reset
- full-length wireway

ELEMENT

- single tubular, stainless steel sheathed element with boxed aluminum fins for improved heat dissipation; the element is securely fastened at its centre, floating in nylon sleeves at each end, eliminating expansion and contraction noises

CONTROL

- wall thermostat (not included) – the use of an electronic thermostat is strongly recommended
- built-in mechanical single pole or double pole thermostat, installed in the left or right junction box (optional)
- low voltage relay kit installed in the left or right junction box (optional)
- disconnect switch (optional)

INSTALLATION

- surface mounted
- wiring compartment at both ends of unit

WARRANTY

- five years, *lifetime warranty on the heating element (for original owner)

IDEAL FOR:

kitchen, living room, bedroom, basement, commercial space, office

°STELPRO

Stelpro reserves the right to modify descriptions, manufacturing specifications or prices without prior notice. **No returns accepted on optional-colour products.**
For all the latest models and prices, please refer to our website at www.stelpro.com.



TECHNICAL SPECIFICATIONS

DENSITY OF 250 W PER LINEAR FOOT		DENSITY OF 150 W PER LINEAR FOOT		VOLTAGE	TOTAL LENGTH		WALL LENGTH		WEIGHT	
CODE	WATTS	CODE	WATTS	VOLTS	MM	IN.	MM	IN.	KG	LB
BA03019	300	---	---	120	597	23 1/2	584	23	2.5	5.5
BA03089	300	---	---	208	597	23 1/2	584	23	2.5	5.5
BA03029	300/225	---	---	240/208	597	23 1/2	584	23	2.5	5.5
---	300	---	---	347	597	23 1/2	584	23	2.5	5.5
---	300	---	---	600	597	23 1/2	584	23	2.5	5.5
BA0501	500	BAL0301	300	120	732	28 13/16	719	28 5/16	3.0	6.5
BA0508	500	BAL0308	300	208	732	28 13/16	719	28 5/16	3.0	6.5
BA0502	500/375	BAL0302	300/225	240/208	732	28 13/16	719	28 5/16	3.0	6.5
BA0503	500	---	300	347	732	28 13/16	719	28 5/16	3.0	6.5
---	500	---	300	600	732	28 13/16	719	28 5/16	3.0	6.5
BA0751	750	BAL0451	450	120	978	38 1/2	965	38	3.6	8.0
BA0758	750	BAL0458	450	208	978	38 1/2	965	38	3.6	8.0
BA0752	750/560	BAL0452	450/340	240/208	978	38 1/2	965	38	3.6	8.0
BA0753	750	BAL0453	450	347	978	38 1/2	965	38	3.6	8.0
BA0756	750	---	450	600	978	38 1/2	965	38	3.6	8.0
BA1001	1000	BAL0601	600	120	1229	48 3/8	1216	47 7/8	4.4	9.7
BA1008	1000	BAL0608	600	208	1229	48 3/8	1216	47 7/8	4.4	9.7
BA1002	1000/750	BAL0602	600/450	240/208	1229	48 3/8	1216	47 7/8	4.4	9.7
BA1003	1000	BAL0603	600	347	1229	48 3/8	1216	47 7/8	4.4	9.7
BA1006	1000	---	600	600	1229	48 3/8	1216	47 7/8	4.4	9.7
BA1251	1250	BAL0751	750	120	1478	58 3/16	1465	57 11/16	5.2	11.4
BA1258	1250	BAL0758	750	208	1478	58 3/16	1465	57 11/16	5.2	11.4
BA1252	1250/940	BAL0752	750/560	240/208	1478	58 3/16	1465	57 11/16	5.2	11.4
BA1253	1250	BAL0753	750	347	1478	58 3/16	1465	57 11/16	5.2	11.4
BA1256	1250	BAL0756	750	600	1478	58 3/16	1465	57 11/16	5.2	11.4
BA1501	1500	BAL0901	900	120	1707	67 3/16	1694	66 11/16	6.0	13.2
BA1508	1500	BAL0908	900	208	1707	67 3/16	1694	66 11/16	6.0	13.2
BA1502	1500/1125	BAL0902	900/675	240/208	1707	67 3/16	1694	66 11/16	6.0	13.2
BA1503	1500	BAL0903	900	347	1707	67 3/16	1694	66 11/16	6.0	13.2
BA1506	1500	BAL0906	900	600	1707	67 3/16	1694	66 11/16	6.0	13.2
---	1750	BAL1051	1050	120	1953	76 7/8	1940	76 3/8	6.8	15.0
BA1758	1750	BAL1058	1050	208	1953	76 7/8	1940	76 3/8	6.8	15.0
BA1752	1750/1310	BAL1052	1050/790	240/208	1953	76 7/8	1940	76 3/8	6.8	15.0
BA1753	1750	BAL1053	1050	347	1953	76 7/8	1940	76 3/8	6.8	15.0
BA1756	1750	BAL1056	1050	600	1953	76 7/8	1940	76 3/8	6.8	15.0
---	2000	BAL1201	1200	120	2154	84 13/16	2141	84 5/16	7.7	16.9
BA2008	2000	BAL1208	1200	208	2154	84 13/16	2141	84 5/16	7.7	16.9
BA2002	2000/1500	BAL1202	1200/900	240/208	2154	84 13/16	2141	84 5/16	7.7	16.9
BA2003	2000	BAL1203	1200	347	2154	84 13/16	2141	84 5/16	7.7	16.9
BA2006	2000	BAL1206	1200	600	2154	84 13/16	2141	84 5/16	7.7	16.9
---	2250	---	1350	120	2405	94 11/16	2392	94 3/16	8.6	18.8
BA2258	2250	BAL1358	1350	208	2405	94 11/16	2392	94 3/16	8.6	18.8
BA2252	2250/1690	BAL1352	1350/1010	240/208	2405	94 11/16	2392	94 3/16	8.6	18.8
BA2253	2250	BAL1353	1350	347	2405	94 11/16	2392	94 3/16	8.6	18.8
BA2256	2250	BAL1356	1350	600	2405	94 11/16	2392	94 3/16	8.6	18.8
---	2500	---	1500	120	2629	103 1/2	2616	103	9.4	20.7
BA2508	2500	BAL1508	1500	208	2629	103 1/2	2616	103	9.4	20.7
BA2502	2500/1875	BAL1502	1500/1125	240/208	2629	103 1/2	2616	103	9.4	20.7
BA2503	2500	BAL1503	1500	347	2629	103 1/2	2616	103	9.4	20.7
BA2506	2500	BAL1506	1500	600	2629	103 1/2	2616	103	9.4	20.7

Add W for white (consult the optional colours chart or contact your Stelpro representative for all other colours).
 Models also available in 277 V and 480 V.
 --- not available

ACCESSORIES

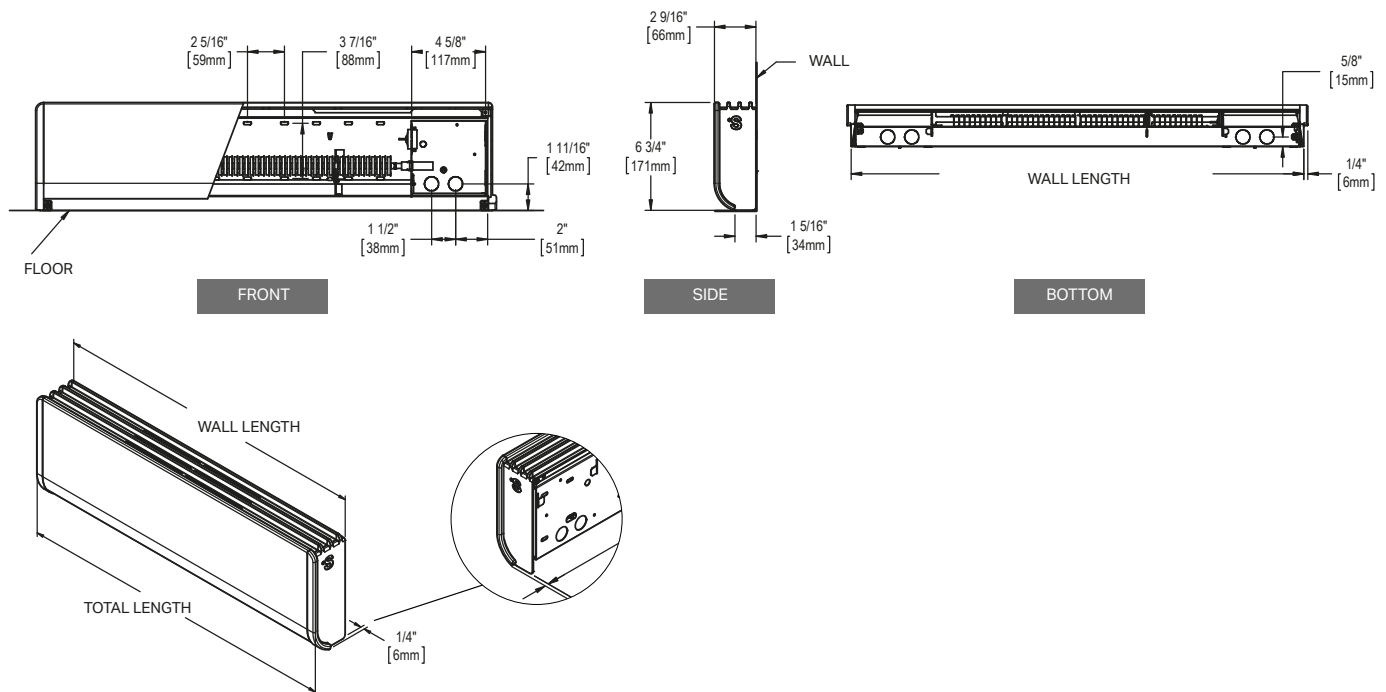
PRODUCT	DESCRIPTION
BA1T1W*	built-in single pole thermostat [120 V-600 V]
BA2T1W*	built-in double pole thermostat [120 V-600 V]
BARE153*	built-in electronic low voltage relay [15 A @ 120 V-347 V]
BARE156*	built-in electronic low voltage relay [6 A @ 600 V]
BARE153T*	built-in electronic low voltage relay c/w transformer 24 V [15 A @ 208 V-347 V]
BARM240T*	built-in electromechanical relay c/w transformer 24 V [6000 W @ 240 V and 5200 W @ 208 V]
BARM347T*	built-in electromechanical relay c/w transformer 24 V [6000 W @ 347 V]
BARM347C*	built-in electromechanical relay w/o transformer 24 V [6000 W @ 120 V-347 V]
BAR841D1036*	built-in electromechanical low voltage relay w/o transformer 24 V [6000 W @ 600 V]
BADIS*	disconnect switch [up to 277 V max 15 A]
BADIS6*	disconnect switch [600 V]

Electronic relays can receive a PWM (pulsed width modulation) or digital (on/off) signal.

* Factory installed

* Factory installation is strongly recommended.

TECHNICAL DRAWINGS





Stelpro reserves the right to modify descriptions, manufacturing specifications or prices without prior notice. No returns accepted on optional-colour products. For all the latest models and prices, please refer to our website at www.stelpro.com.