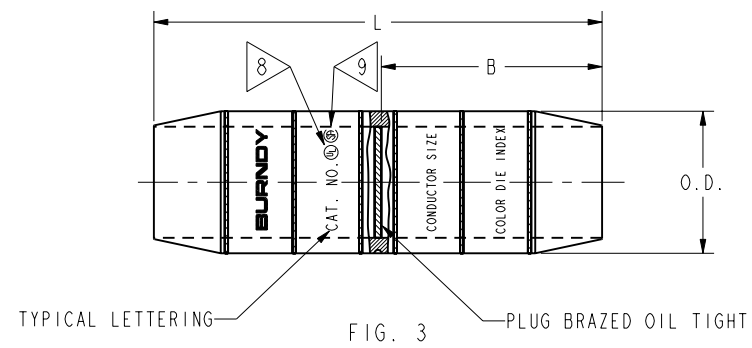
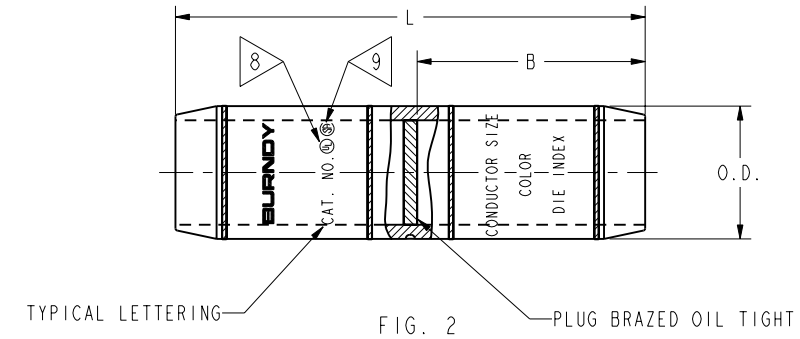
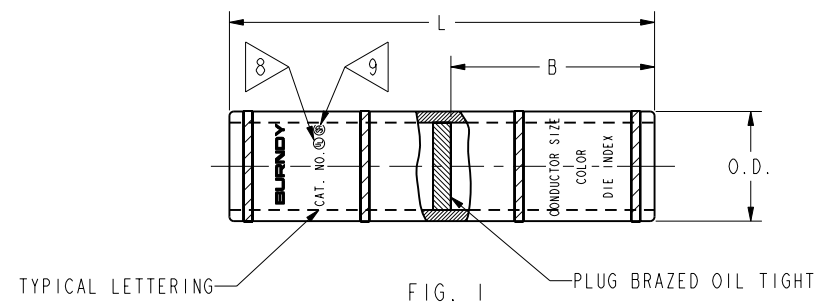


DRAWING NO.  
SC20445-01

REV	DATE	DESCRIPTION	ECO	BY	C'H'K.
F	10/09/2012 00:00:00 AM	TOOLING INSTALLATION TABLE ADDED	28980	RG	MA

CATALOG NUMBER	CONDUCTOR SIZE	FIG. NO.	O.D.	L	B
YSP8CT	#8 STR (.146)	1	.27 [7]	1.99 [51]	.93 [24]
YSP6CT	#6 STR (.183)	1	.29 [7]	1.99 [51]	.93 [24]
YSP4CT	#4 STR (.231)	1	.34 [9]	1.99 [51]	.93 [24]
YSP2CT	#2 STR (.291)	1	.42 [11]	2.15 [55]	1.11 [28]
YSP1CT	#1 STR (.330)	1	.46 [12]	2.13 [54]	1.00 [25]
YSP25T	1/0 STR (.375)	1	.51 [13]	2.15 [55]	1.11 [28]
YSP26T	2/0 STR (.418)	1	.56 [14]	2.27 [58]	1.07 [27]
YSP27T	3/0 STR (.470)	1	.62 [16]	2.39 [61]	1.13 [29]
YSP28T	4/0 STR (.528)	2	.69 [18]	2.45 [62]	1.16 [29]
YSP29T	250 kcmil (.575)	2	.75 [19]	2.61 [66]	1.24 [31]
YSP30T	300 kcmil (.630)	3	.81 [21]	2.63 [67]	1.25 [32]
YSP31T	350 kcmil (.681)	3	.88 [22]	2.83 [72]	1.35 [34]
YSP32T	400 kcmil (.728)	3	.95 [24]	3.02 [77]	1.44 [37]
YSP33T	450 kcmil (.772)	3	1.01 [26]	3.10 [79]	1.48 [38]
YSP34T	500 kcmil (.814)	3	1.06 [27]	3.55 [90]	1.71 [43]
YSP35T	550 kcmil (.855)	3	1.13 [29]	3.95 [100]	1.91 [49]
YSP36T	600 kcmil (.893)	3	1.19 [30]	3.99 [101]	1.93 [49]
YSP37T	650 kcmil (.929)	2	1.23 [31]	3.71 [94]	1.79 [45]
YSP38T	700 kcmil (.964)	2	1.25 [32]	3.77 [96]	1.82 [46]
YSP39T	750 kcmil (.998)	3	1.30 [33]	4.19 [106]	2.03 [52]
YSP40T	800 kcmil (1.031)	2	1.35 [34]	4.43 [113]	2.15 [55]
YSP44T	1000 kcmil (1.152)	2	1.49 [38]	5.27 [134]	2.40 [61]
YSP46T	1500 kcmil (1.412)	3	1.84 [47]	6.37 [162]	2.85 [72]
YSP48T	2000 kcmil (1.631)	3	2.13 [54]	6.71 [170]	3.29 [84]

CONNECTOR SIZE	TOLERANCES		
	B	L	O.D.
-8C THRU -25	±.06	±.09	±.01
-26 THRU -34	±.08	±.12	±.01
-35 AND UP	±.09	±.15	±.01



- NOTES:
- MATERIAL: COPPER
  - FINISH: TIN PLATED
  - FOR TAPERED HYLINKS™ (NON OIL STOP) SEE DWG SD..014493-01.
  - ALSO ACCOMMODATES 450kcmil CLASS G (.876DIA) 259 STR AND WILL USE Y48 HYPRESS™ C36D NEST WITH Y48PR-15 INDENTOR.
  - DIMENSIONS IN [ ] ARE IN MILLIMETERS ROUNDED TO THE NEAREST MILLIMETER UNLESS OTHERWISE NOTED AND ARE FOR REFERENCE ONLY.
  - THE YSP-T SPLICE CONNECTOR HAS A BRAZED IN PLACE CENTER PLUG TO PREVENT THE PASSAGE OF OIL BETWEEN TWO OIL FILLED CONDUCTORS, OR BETWEEN CONDUCTORS WITHOUT OIL AND CONDUCTORS WITH OIL, AND ACTS AS A CENTER WIRE STOP FOR PROPER CONDUCTOR INSERTION.
- 7 NO TAPER FOR CAT. NO.'S YSP8CT THROUGH YSP27T (SEE FIG. 1).
- 8 CONNECTORS ARE "UL" LISTED.
- 9 CONNECTORS ARE "CSA" CERTIFIED.
- 10 NOT "CSA" CERTIFIED.

TO ORDER BURNDY® PRODUCTS CALL		HYLINK™ COPPER, TAPERED (OIL-STOP)	
UNITED STATES 1-800-346-4175 (LONDONDERRY, NH)		ITEM NO: SEE TABLE	CAT. NO: YSP-T (TABLE)
CANADA: 1-800-361-6975 (QUEBEC) 1-800-387-6487 (ALL OTHER PROVINCES)		DRAWN BY: W.S 06/01/49	CHECKER: E.P.C 06/01/49
FOR PRODUCT INFO: <a href="http://www.burndy.com">http://www.burndy.com</a>		DSN APPVL: --	MFG APPVL: --
		QA APPVL: --	MKT APPVL: --
		PROD FAM: CM&R COMPRESSION	DRAWING NO: SC20445-01
		PROJECT #: --	SIZE: D
		DOCUMENT TYPE: Sales	REV: F
		REL LEVEL: Released	SHEET 1 OF 4

REV: PE0200

INSTALLATION TOOLING (# CRIMPS PER END)

CATALOG NO.	COLOR CODE	DIE INFORMATION		MECHANICAL RATCHET					HYDRAULIC					DIELESS (# CRIMPS PER SIDE)	WIRE STRIP LENGTH	
		DIE INDEX	TYPE	YIMRTC	OUR840	MD6 MD7	MD6-R2 MD7-34R	PAT600 PATMD6	Y34A Y34B Y34BH	Y35, Y39 Y750, BAT35, PAT750	Y46 PAT46	Y45	Y48B			Y60BHU
YSP8CT	RED	49	RED DIE SET	RED (2)	X8CRT (2)	W8CVT (2) W8CRT (2)	W8CVT (2) W8CRT (2)	W8CVT (2) W8CRT (2)	----	U8CRT (2)	U8CRT (2)	U8CRT (2)	----	----	Y8MRB-1 MRC840 (2) MY29-3 (2) MY29-1 (2) Y81KFT (1)	1
			NEST	----	----	----	----	----	----	----	----	----	----	----	----	
			INDENTOR	----	----	----	----	----	----	----	----	----	----	----	----	
YSP6CT	BLUE	7 374	BLUE DIE SET	BLUE (2)	X5CRT (2)	W5CVT (2) W5CRT (2)	W5CVT (2) W5CRT (2)	W5CVT (2) W5CRT (2)	----	U5CRT (2) U8CABT (2)	U5CRT (2) U8CABT (2)	U5CRT (2) U8CABT (2)	----	----	MRC840 (2) MY29-3 (2) MY29-1 (2) Y81KFT (1) Y4PC834 (1) Y644 (1)	1
			NEST	----	----	----	----	----	----	B6CD(1) A6CD(1)	U6CD-1 (1)	U6CD-1 (1)	U6CD-1 (1)	----	----	
			INDENTOR	----	----	----	----	----	----	Y34PR	Y34PR	Y34PR	Y34PR	----	----	
YSP4CT	GRAY	8 346	GRAY DIE SET	GRAY (4)	X4CRT (2)	W4CVT (2) W4CRT (2)	W4CVT (2) W4CRT (2)	W4CVT (2) W4CRT (2)	----	U4CRT (2) U6CABT (2)	U4CRT (2) U6CABT (2)	U4CRT (2) U6CABT (2)	----	----	Y81KFT (1) Y4PC834 (1) Y644 (1)	1
			NEST	----	----	----	----	----	----	B4CD(1) A4CD(1)	U4CD-1 (1)	U4CD-1 (1)	U4CD-1 (1)	----	----	
			INDENTOR	----	----	----	----	----	----	Y34PR	Y34PR	Y34PR	Y34PR	----	----	
YSP2CT	BROWN	10	BROWN DIE SET	BROWN (4)	X2CRT (2)	W2CVT (2) W2CRT (2)	W2CVT (2) W2CRT (2)	W2CVT (2) W2CRT (2)	----	U2CRT (2)	U2CRT (2)	U2CRT (2)	----	----	MRC840 (2) MY29-3 (2) MY29-1 (2) Y81KFT (2) Y4PC834 (2) Y644 (1) PAT644 (1)	1-3/16
			NEST	----	----	----	----	----	----	B2CD(1) A2CD(1)	U2CD-1 (1)	U2CD-1 (1)	U2CD-1 (1)	----	----	
			INDENTOR	----	----	----	----	----	----	Y34PR	Y34PR	Y34PR	Y34PR	----	----	
YSP1CT	GREEN	11 375	GREEN DIE SET	GREEN (4)	X1CRT-1 (2)	W1CVT (2) W1CRT-1 (2)	W1CVT (2) W1CRT-1 (2)	W1CVT (2) W1CRT-1 (2)	----	U1CRT-1 (2) U4CABT (2)	U1CRT-1 (2) U4CABT (2)	U1CRT-1 (2) U4CABT (2)	----	----	Y81KFT (2) Y4PC834 (2) Y644 (1) PAT644 (1)	1-1/16
			NEST	----	----	----	----	----	----	B1CD(1) A1CD(1)	U1CD-1 (1)	U1CD-1 (1)	U1CD-1 (1)	----	----	
			INDENTOR	----	----	----	----	----	----	Y34PR	Y34PR	Y34PR	Y34PR	----	----	
YSP25T	PINK	12 348	PINK DIE SET	----	X25RT (4)	W25VT (4) W25RT (4)	W25VT (4) W25RT (4)	W25VT (4) W25RT (4)	A25R (2)	U25RT (2) U2CABT (2)	U25RT (2) U2CABT (2)	U25RT (2) U2CABT (2)	----	----	1-3/16	
			NEST	----	----	----	----	----	----	B25D(1) A25D(1)	U25D-1 (1)	U25D-1 (1)	U25D-1 (1)	----	----	
			INDENTOR	----	----	----	----	----	----	Y34PR	Y34PR	Y34PR	Y34PR	----	----	
YSP26T	BLACK	13	BLACK DIE SET	----	X26RT (4)	W26VT (4) W26RT (4)	W26VT (4) W26RT (4)	W26VT (4) W26RT (4)	----	U26RT (2)	U26RT (2)	U26RT (2)	----	----	MRC840 (4) MY29-3 (2) MY29-1 (2) Y81KFT (2) Y4PC834 (2) Y644 (1) PAT644 (1)	1-1/8
			NEST	----	----	----	----	----	----	B26D(1) A26D(1)	U26D-1 (1)	U26D-1 (1)	U26D-1 (1)	----	----	
			INDENTOR	----	----	----	----	----	----	Y34PR	Y34PR	Y34PR	Y34PR	----	----	
YSP27T	ORANGE	14	ORANGE DIE SET	----	X27RT (6)	W27VT (4) W27RT (4)	W27VT (4) W27RT (4)	W27VT (4) W27RT (4)	----	U27RT (2)	U27RT (2)	U27RT (2)	----	----	1-3/16	
			NEST	----	----	----	----	----	----	B27D(1) A27D(1)	U27D-1 (1)	U27D-1 (1)	U27D-1 (1)	----	----	
			INDENTOR	----	----	----	----	----	----	Y34PR	Y34PR	Y34PR	Y34PR	----	----	
YSP28T	PURPLE	15	PURPLE DIE SET	----	X28RT (6)	W28VT (4) W28RT (4)	W28VT (4) W28RT (4)	W28VT (4) W28RT (4)	----	U28RT (2)	U28RT (2)	U28RT (2)	C28R (2)	L28RT (1)	1-1/4	
			NEST	----	----	----	----	----	----	B28D(1) A28D(1)	U28D-1 (1)	U28D-1 (1)	U28D-1 (1)	C28D (1)	----	
			INDENTOR	----	----	----	----	----	----	Y34PR	Y34PR	Y34PR	Y34PR	Y48PR	----	
YSP29T	YELLOW	16	YELLOW DIE SET	----	X29RT (8)	W29VT (4)	W29VT (4)	W29VT (4) W29RT (4)	A29R (2)	U29RT (2)	U29RT (2)	U29RT (2)	C29R (2)	L29RT (1)	MY29-3 (2) MY29-1 (2) Y81KFT (2) Y4PC834 (2) Y644 (1)	1-5/16
			NEST	----	----	----	----	----	----	B29D(2) A29D(2)	U29D-1 (2)	U29D-1 (2)	U29D-1 (2)	C29D (1)	----	
			INDENTOR	----	----	----	----	----	----	Y34PR	Y34PR	Y34PR	Y34PR	Y48PR	----	
YSP30T	WHITE	17 298	WHITE DIE SET	----	----	----	W30VT (4)	W30RT (4)	A28AR (2)	U30RT (4) U28ART (4)	U30RT (4) U28ART (4)	U30RT (4) U28ART (4)	C30R (2) C28AR (1)	L30RT (2)	Y81KFT (3) Y4PC834 (3) PAT644 (1)	1-5/16
			NEST	----	----	----	----	----	----	B30D(2) A30D(2)	U30D-1 (2)	U30D-1 (2)	U30D-1 (2)	C30D (2)	----	
			INDENTOR	----	----	----	----	----	----	Y34PR	Y34PR	Y34PR	Y34PR	Y48PR	----	

NOTE:  
 1 CATALOG NO. PT6515 ADAPTOR IS REQUIRED TO USE "U" DIES IN Y45 SERIES TOOLS.  
 2 CATALOG NO. PUADP-1 ADAPTOR IS REQUIRED TO USE "U" DIES IN Y46 SERIES TOOLS.  
 3 Y35P3 INDENTOR ADAPTOR REQUIRED FOR Y34PR INDENTOR.

PERMANENT DIE IN TOOLING.  
 FOR USE BY CUSTOMERS THAT HAVE THIS HYPRESS™. NO NEW Y34A HYPRESS™ TOOLS ARE BEING PROCESSED.

6 "X", "W-RT", "W-VT", "U" & "L" DIE SETS ARE COLOR CODED. "A", "B" & "C" DIES ARE NOT COLOR CODED. NESTS AND INDENTOR TYPE ARE NOT COLOR CODED.

OVERLAPPING CRIMPS ARE REQUIRED ON THESE SIZES.

TO ORDER BURNDY® PRODUCTS CALL		HYLINK™ COPPER, TAPERED (OIL-STOP)	
UNITED STATES 1-800-346-4175 (LONDONDERRY, NH)		ITEM NO: 253019	
CANADA: 1-800-361-6975 (QUEBEC) 1-800-387-6487 (ALL OTHER PROVINCES)		CAT. NO: YSP-T (TABLE)	
FOR PRODUCT INFO: <a href="http://www.burndy.com">http://www.burndy.com</a>		DRAWN BY: W.S. 06/01/49	
		CHECKER: E.P.C. 06/01/49	
		DSN APPVL: --	
		MFG APPVL: --	
		QA APPVL: --	
		MKT APPVL: --	
		SCALE: 2:1	
		PROD FAM: CM&R COMPRESSION	
		DRAWING NO	
		PROJECT #: --	
		SIZE	
		DOCUMENT TYPE: Production	
		REL LEVEL: Released	
		SC20445-01	
		SHEET 2 OF 4	
		REV	
		F	

REV	DATE	DESCRIPTION	ECO	BY	C'H'K'
F	10/09/2012 00:00:00 AM	TOOLING INSTALLATION TABLE ADDED	28980	RG	MA

REV: PEO200

DRAWING NO. SC20445-01		INSTALLATION TOOLING (# CRIMPS PER END)																	
CATALOG NO.	COLOR CODE	DIE INFORMATION		MECHANICAL RATCHET					HYDRAULIC					DIELESS (# CRIMPS PER SIDE)	WIRE STRIP LENGTH				
		DIE INDEX	TYPE	YIMRTC	OUR840	MD6 MD7	MD6-R2 MD7-34R	PAT600 PATMD6	Y34A Y34B Y34BH	Y35, Y39 Y750, BAT35, PAT750	Y46 PAT46	Y45	Y48B			Y60BHU			
D YSP31T	RED	18 324	RED DIE SET	----	----	----	W31VT (4)	W31VT (4) W31RT (4)	----	U31RT (4) U29ART (4)	U31RT (4) U29ART (4)	U31RT (4) U29ART (4)	C31R (2) C29AR (1)	L31RT (2) L29ART (1)	Y81KFT (3) Y4PC834 (3) Y644 (1) PAT644 (1)	1-7/16			
			NEST	----	----	----	----	B31D(2) A31D(2)	U31D-1 (2)	U31D-1 (2)	U31D-1 (2)	C31D (2)	----	----					
			INDENTOR	----	----	----	----	Y34PR	Y34PR	Y34PR	Y34PR	Y48PR	----	----					
YSP32T	BLUE	19 470	BLUE DIE SET	----	----	----	W32VT (4)	W32VT (4) W32RT (4)	----	U32RT (4) U30ART (4)	U32RT (4) U30ART (4)	U32RT (4) U30ART (4)	C32R (2) C30AR (1)	L32RT (2) L30ART (1)		Y81KFT (4) PAT81KFT (4) Y644 (1) PAT644 (1)	1-1/2		
			NEST	----	----	----	----	B32D(2) A32D(2)	U32D-1 (2)	U32D-1 (2)	U32D-1 (2)	C32D (2)	----	----					
			INDENTOR	----	----	----	----	Y34PR	Y34PR	Y34PR	Y34PR	Y48PR	----	----					
YSP33T	GRAY	326 538	GRAY DIE SET	----	----	----	W33VT (4)	W33VT (4)	----	U33RT (4)	U33RT (4)	U33RT (4)	----	L33RT (1)			Y81KFT (4) PAT81KFT (4) Y644 (1) PAT644 (1)	1-9/16	
			NEST	----	----	----	----	B33D(2) A33D(2)	U33D-1 (2)	U33D-1 (2)	U33D-1 (2)	C33D (1)	----	----					
			INDENTOR	----	----	----	----	Y34PR	Y34PR	Y34PR	Y34PR	Y48PR	----	----					
YSP34T	BROWN	20 299	BROWN DIE SET	----	----	----	W34VT (4)	W34VT (4) W34RT (4)	----	U34RT (4) U31ART (2)	U34RT (4) U31ART (2) P34RT (4)	U34RT (4) U31ART (2)	C34R (2) C31AR (1)	L34RT (2)				Y81KFT (4) PAT81KFT (4) Y644 (1) PAT644 (1)	1-13/16
			NEST	----	----	----	----	B34D(2) A34D(2)	U34D-1 (2)	U34D-1 (2)	U34D-1 (2)	C34D (2)	----	----					
			INDENTOR	----	----	----	----	Y34PR	Y34PR	Y34PR	Y34PR	Y48PR	----	----					
C YSP35T	YELLOW	21	YELLOW DIE SET	----	----	----	----	----	----	U35RT (4)	U35RT (4)	U35RT (4)	----	L35RT (2)	Y81KFT (4) PAT81KFT (4) Y644 (1) PAT644 (1)				2
			NEST	----	----	----	----	----	----	----	P35D (2)	----	C35D (2)	----					
			INDENTOR	----	----	----	----	----	----	----	P44PR	----	Y48PR	----					
YSP36T	GREEN	22 472	GREEN DIE SET	----	----	----	----	----	----	U36RT (4) U32ART (4)	U36RT (4) U32ART (4)	U36RT (4) U32ART (4)	C36R (2) C32AR (2)	L36RT (2) L36ART (2)		Y81KFT (4) PAT81KFT (4) Y644 (1) PAT644 (1)			2
			NEST	----	----	----	----	----	----	----	----	P36D (2)	----	C36D (2)					----
			INDENTOR	----	----	----	----	----	----	----	----	P44PR	----	Y48PR					----
YSP37T	ORANGE	23	ORANGE DIE SET	----	----	----	----	----	----	U37RT (4)	U37RT (4)	U37RT (4)	C37R (2)	L37RT (2)			Y81KFT (4) PAT81KFT (4) Y644 (1) PAT644 (1)		1-7/8
			NEST	----	----	----	----	----	----	----	----	P37D (2)	----	C37D (2)					----
			INDENTOR	----	----	----	----	----	----	----	----	P44PR	----	Y48PR					----
YSP38T	PINK	400	PINK DIE SET	----	----	----	----	----	----	U38RT (4)	U38RT (4)	U38RT (4)	----	L38RT (2)				Y81KFT (4) PAT81KFT (4) Y644 (1) PAT644 (1)	1-7/8
			NEST	----	----	----	----	----	----	----	----	P38D (2)	----	C38D (2)					----
			INDENTOR	----	----	----	----	----	----	----	----	P44PR	----	Y48PR					----
YSP39T	BLACK	24	BLACK DIE SET	----	----	----	----	----	----	U39RT (4)	U39RT (4) P39RT (4)	U39RT (4) S39RT (4)	C39R (2) C36AR (2)	L39RT (2) L32ART (2)	Y81KFT (4) PAT81KFT (4) Y644 (1) PAT644 (1)				2-1/8
			NEST	----	----	----	----	----	----	----	----	P39D (2)	----	C39D (2)					----
			INDENTOR	----	----	----	----	----	----	----	----	P44PR	----	Y48PR					----
B YSP40T	ORANGE	25	ORANGE DIE SET	----	----	----	----	----	----	----	P40RT (4)	S40RT (4)	C40R (2)	L40RT (2)		Y81KFT (4) PAT81KFT (4) Y644 (1) PAT644 (1)			2-1/4
			NEST	----	----	----	----	----	----	----	----	P40D (2)	----	C40D (2)					----
			INDENTOR	----	----	----	----	----	----	----	----	P44PR	----	Y48PR					----
YSP44T	WHITE	27	WHITE DIE SET	----	----	----	----	----	----	----	P44RT (2)	S44RT (4)	C44R (2)	L44RT (2)			Y81KFT (4) PAT81KFT (4) Y644 (1) PAT644 (1)		2-1/2
			NEST	----	----	----	----	----	----	----	----	P44D (2)	----	C44D (2)					----
			INDENTOR	----	----	----	----	----	----	----	----	P44PR	----	Y48PR					----

NOTES:

- 1 CATALOG NO. PT6515 ADAPTOR IS REQUIRED TO USE "U" DIES IN Y45 SERIES TOOLS.
- 2 CATALOG NO. PUADP-1 ADAPTOR IS REQUIRED TO USE "U" DIES IN Y46 SERIES TOOLS.
- 3 Y35P3 INDENTOR ADAPTOR IS REQUIRED FOR Y34PR INDENTOR.
- 4 FOR USE BY CUSTOMERS THAT HAVE THIS HYPRESS™. NO NEW HYPRESS™ TOOLS ARE BEING PROCESSED. Y34A USES A--D NEST DIES ONLY.
- 5 "X", "W-VT", "U" & "L" DIE SETS ARE COLOR CODED. "A", "B" & "C" DIES ARE NOT COLOR CODED. NESTS AND INDENTOR TYPE ARE NOT COLOR CODED.
- 6 OVERLAPPING CRIMPS ARE REQUIRED ON THESE SIZES.

TO ORDER BURNDY® PRODUCTS CALL		HYLINK™ COPPER, TAPERED (OIL-STOP)	
UNITED STATES 1-800-346-4175 (LONDONDERRY, NH)		ITEM NO: 253019	
CANADA: 1-800-361-6975 (QUEBEC) 1-800-387-6487 (ALL OTHER PROVINCES)		CAT. NO: YSP-T (TABLE)	
FOR PRODUCT INFO: <a href="http://www.burndy.com">http://www.burndy.com</a>		DRAWN BY: W.S. 06/01/49	
		CHECKER: E.P.C. 06/01/49	
		DSN APPVL: --	
		MFG APPVL: --	
		QA APPVL: --	
		MKT APPVL: --	
		SCALE: 2:1	
		PROD FAM: CM&R COMPRESSION	
		DRAWING NO	
		SC20445-01	
		SHEET 3 OF 4	
		REV	
		F	

REV	DATE	DESCRIPTION	ECO	BY	C'H'K.
F	10/09/2012 00:00:00 AM	TOOLING INSTALLATION TABLE ADDED	28980	RG	MA

REV: PE0200

DRAWING NO.  
SC20445-01

7

6

5




4

3

2

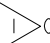
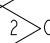
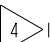
1

INSTALLATION TOOLING (# CRIMPS PER END)

CATALOG NO.	COLOR CODE	DIE INFORMATION		MECHANICAL RATCHET				HYDRAULIC						DIELESS (# CRIMPS PER SIDE)	WIRE STRIP LENGTH	
		DIE INDEX	TYPE	YIMRTC	OUR840	MD6 MD7	MD6-R2 MD7-34R	PAT600 PATMD6	Y34A Y34B Y34BH	Y35, Y39 Y750, BAT35, PAT750	 Y46 PAT46	 Y45	Y48B			Y60BHU
YSP46T	GREEN	31	GREEN DIE SET	----	----	----	----	----	----	----	P46RT (6)	S46RT (6)	C46R (3)	L46RT (3)	--	2-15/16
			NEST	----	----	----	----	----	----	----	P44PR (2)	----	C46D (3)	----		
			INDENTOR	----	----	----	----	----	----	----	----	----	Y48PR	----		
YSP48T	BROWN	34	BROWN DIE SET	----	----	----	----	----	----	----	----	----	----	L48RT (4)	--	3-3/8
			NEST	----	----	----	----	----	----	----	----	----	C48D (2)	----		
			INDENTOR	----	----	----	----	----	----	----	 ----	----	Y48PR	----		



NOTES:

-  CATALOG NO. PT6515 ADAPTOR IS REQUIRED TO USE "U" DIES IN Y45 SERIES TOOLS.
-  CATALOG NO. PUADP-1 ADAPTOR IS REQUIRED TO USE "U" DIES IN Y46 SERIES TOOLS.
- 3 "L" DIE SETS ARE COLOR CODED "P", "S" AND "C" DIES ARE NOT COLOR CODED. NESTS AND INDENTOR TYPE ARE NOT COLOR CODED.
-  INDENTOR ONLY- NO NEST REQUIRED.

TO ORDER BURNDY® PRODUCTS CALL  
 UNITED STATES  
 1-800-346-4175 (LONDONDERRY, NH)  
 CANADA:  
 1-800-361-6975 (QUEBEC)  
 1-800-387-6487 (ALL OTHER PROVINCES)  
 FOR PRODUCT INFO: <http://www.burndy.com>

HYLINK™ COPPER, TAPERED (OIL-STOP)	
ITEM NO: 253019	
CAT. NO: YSP-T (TABLE)	
DRAWN BY: W.S. 06/01/49	
CHECKER: E.P.C. 06/01/49	
DSN APPVL: --	
MFG APPVL: --	
QA APPVL: --	
MKT APPVL: --	
PROJ #:	SCALE: 2:1
PROJ #:	SIZE
DOCUMENT TYPE: Production	D
REL LEVEL: Released	

**BURNDY**

PROJ #:	SIZE	DRAWING NO	REV
		SC20445-01	F
		SHEET 4 OF 4	

REV	DATE	DESCRIPTION	ECO	BY	C'H'K.
F	10/09/2012 00:00:00 AM	TOOLING INSTALLATION TABLE ADDED	28980	RG	MA

REV: PE0200

8

7

6

5

4

3

2

1