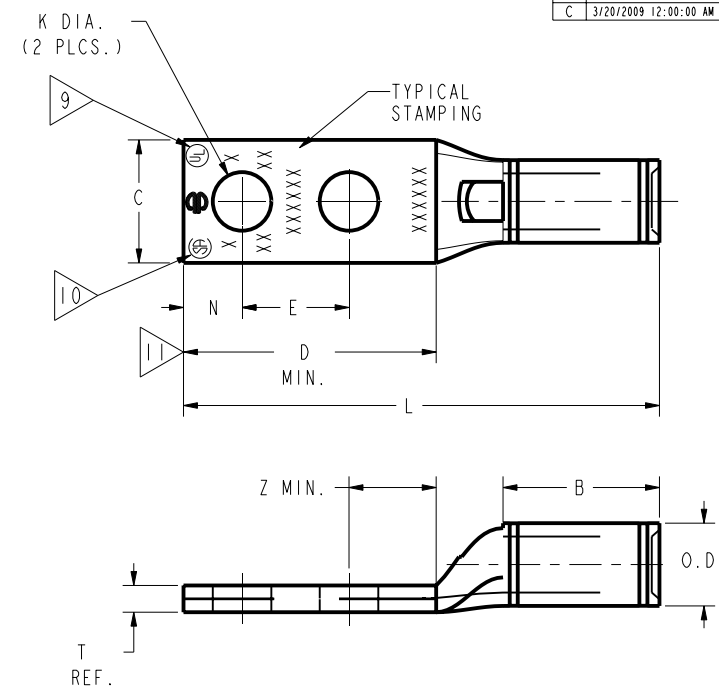


CATALOG NUMBER	STRANDED COPPER CONDUCTOR ACCOMMODATED			BOLT SIZE	METRIC BOLT SIZE	DIMENSIONS									
	CODE (AWG)	NAVY	METRIC SIZE (CLASS 2)			B	C	E	K DIA.	L	N	O.D.	T REF.	Z MIN.	
YA1CL2TC14	#1 AWG	75	-----	1/4	M6	.88 [22]	.68 [17]	.62 [16]	.27 [7]	2.51 [64]	.31 [8]	.46 [12]	.10 [3]	.33 [8]	
YA1CL2TC14E2				1/4	M6			.75 [19]	.27 [7]	2.64 [67]	.25 [6]			.33 [8]	
YA1C2L				5/16	M8			.88 [22]	.33 [8]	2.82 [72]	.34 [9]			.36 [9]	
YA1CL2TC38				3/8	M10			.68 [17]	1.00 [25]	.40 [10]	3.07 [78]	.41 [10]		.10 [3]	.42 [11]
YA1C2LN				1/2	M12			.88 [22]	.83 [21]	1.75 [44]	.56 [14]	4.32 [110]	.62 [16]	.12 [3]	.64 [16]
YA25L2TC14	1/0 AWG	100	-----	1/4	M6	.88 [22]	.75 [19]	.62 [16]	.27 [7]	2.54 [65]	.31 [8]	.51 [13]	.10 [3]	.33 [8]	
YA25L2TC14E2				1/4	M6			.75 [19]	.27 [7]	2.66 [68]	.31 [8]			.33 [8]	
YA25L2TC14E1				1/4	M6			1.00 [25]	.27 [7]	2.91 [74]	.31 [8]			.33 [8]	
YA252L				5/16	M8			.88 [22]	.33 [8]	2.85 [72]	.34 [9]			.36 [9]	
YA25L2TC38				3/8	M10			.88 [22]	.75 [19]	1.00 [25]	.41 [10]	3.10 [79]	.41 [10]	.12 [3]	.42 [11]



CATALOG NO.	COLOR CODE	DIE INFORMATION		MECHANICAL					HYDRAULIC					DIELESS (# CRIMPS)	WIRE STRIP LENGTH	
		DIE INDEX	TYPE	Y2MR	OUR840	MD6 MD7	MD6--2	MD7-34R	Y500CT BCT500 PAT600	Y34A Y34B Y34BH	Y35, Y39, Y750 BAT35, BAT750 PAT750	Y46	Y45			Y48B
YA1CL2TC14 YA1CL2TC14E2 YA1C2L YA1CL2TC38 YA1C2LN	GREEN	11 375	GREEN DIE SET NEST INDENTOR	----- ----- -----	XICRT(1) ----- -----	WICRT-1(1) WICVT(1) -----	WICRT-1(1) WICVT(1) -----	WICRT-1(1) WICVT(1) -----	XICRT(1) WICRT-1(1) WICVT(1) -----	----- BICD(1) AICD(1) Y34PR	UICRT-1(1) U4CABT(1) Y34PR	UICRT-1(1) U4CABT(1) Y34PR	UICRT-1(1) U4CABT(1) Y34PR	----- ----- -----	MECHANICAL: MY29-3 (1) MY29-11 (1) HYDRAULIC: Y644M (1) BAT644M (1) PAT644M (1)	15/16" 15/16"
YA25L2TC14 YA25L2TC14E2 YA25L2TC14E1 YA252L YA25L2TC38	PINK	12 348	PINK DIE SET NEST INDENTOR	----- ----- -----	X25RT(2) ----- -----	W25RT(2) W25VT(2) -----	W25RT(2) W25VT(2) -----	W25RT(2) W25VT(2) -----	X25RT(2) W25RT(2) W25VT(2) -----	A25R(1) B25D(1) A25D(1) Y34PR	U25RT(1) U2CABT(1) Y34PR	U25RT(1) U2CABT(1) Y34PR	U25RT(1) U2CABT(1) Y34PR	----- ----- -----	HYDRAULIC: Y644M (1) BAT644M (1) PAT644M (1)	15/16"

NOTES:

- MATERIAL: COPPER TUBING.
- FINISH: TIN PLATED.
- CATALOG # PT6515 ADAPTOR IS REQUIRED TO USE "U" DIES IN Y45 SERIES TOOLS.
- CATALOG # PUADP-1 ADAPTOR IS REQUIRED TO USE "U" DIES IN Y46 SERIES TOOLS.
- Y35P3 INDENTOR ADAPTOR REQUIRED FOR Y34PR INDENTOR.
- PERMANENT DIE IN TOOLING.
- DIMENSIONS IN BRACKETS [ ] ARE IN MILLIMETERS ROUNDED OFF TO THE NEAREST MILLIMETER, UNLESS OTHERWISE NOTED, AND ARE FOR REFERENCE ONLY.
- FOR USE BY CUSTOMERS THAT HAVE THIS HYPRESS™ NO NEW Y34A HYPRESS™ TOOLS ARE BEING PROCESSED. Y34A USES A--D TYPE NEST DIES.
- CONNECTORS ARE UL LISTED; UNDRILLED VERSIONS ARE NOT UL LISTED.
- CONNECTORS ARE CSA CERTIFIED; UNDRILLED VERSIONS ARE NOT CSA CERTIFIED.
- FOR UNDRILLED VERSIONS ADD SUFFIX "-U" TO END OF CATALOG NUMBER. FOR UNDRILLED VERSIONS USE D MIN. = N MAX. + E MIN. + Z MIN.
- "X", "W-RT", "W-VT", "U", & "L" DIE SETS ARE COLOR CODED. "A", "B", AND "C" DIES ARE NOT COLOR CODED. NESTS AND INDENTOR TYPE ARE NOT COLOR CODED.

CONNECTOR SIZE	TOLERANCES						
	B	C	E	K DIA.	L	N	O.D.
-8C THRU -25	±.06	+.04 -.02	±.02	±.02	±.09	±.03	±.01

TOLERANCE BLOCK

REFERENCE: SE209512  
SUPERSEDES: SC91923

REV: PE0200

TO ORDER BURNDY® PRODUCTS CALL		HYLUG™ COPPER	
UNITED STATES 1-800-346-4175 (LONDONDERRY, NH)		ITEM NO: N/A	CAT. NO: YA--2L-, YA--2TC-
CANADA: 1-800-361-6975 (QUEBEC) 1-800-387-6487 (ALL OTHER PROVINCES)		DRAWN BY: R.NARESH 06/07/05	CHECKER: K.BABU 06/07/05
FOR PRODUCT INFO: <a href="http://www.burndy.com">http://www.burndy.com</a>		DSN APPVL: --	MFG APPVL: --
		QA APPVL: --	MKT APPVL: --
		PROJ #:	SCALE: NTS
		SIZE: D	DRAWING NO: SD035209
		REL LEVEL: Released	SHEET 6 OF 18