

Cable Management Horizontal Cable Manager S-Series Rail Mounted

HUBBELL

Features

- Cable fingers align with patch panel adaptors to prevent patch cord kinks
- Steel construction provides ample strength for heavy cable loading
- Door is removeable to allow for easy addition of patch cords

Ordering Information

Rack Units	Depth	Catalog Number	UPC
1 RU	3"	HS13	662620249803

Listings

EIA/ECA-310-E Universal Mounting Pattern

Specifications

Material	Steel
Gauge	14
Finish	Black Powder Coated

Characteristics

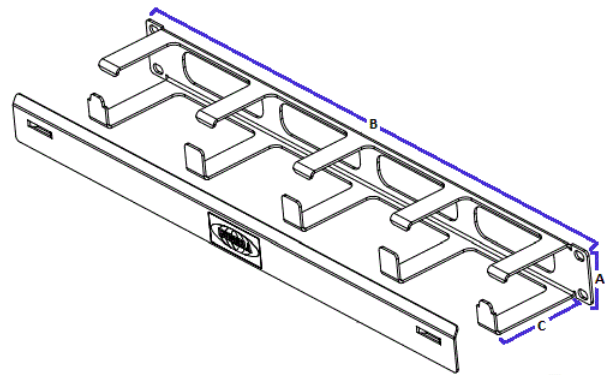
Cover	Separate
Pass through holes	Standard
Corresponding Vertical Cbl Mgr	VS Series

Accessories

Replacement Cover, 1U	HS1C
Black Velcro Roll	HVFBK575
9" Velco Strips, Yellow	MCCMV9YL10

Online Resources

Customer Drawings
Customer Use Drawing
eCatalog



Dimensions- inches (mm)

A	1 RU, 1.75" (44)
B	19" (483)
C	3" (76)