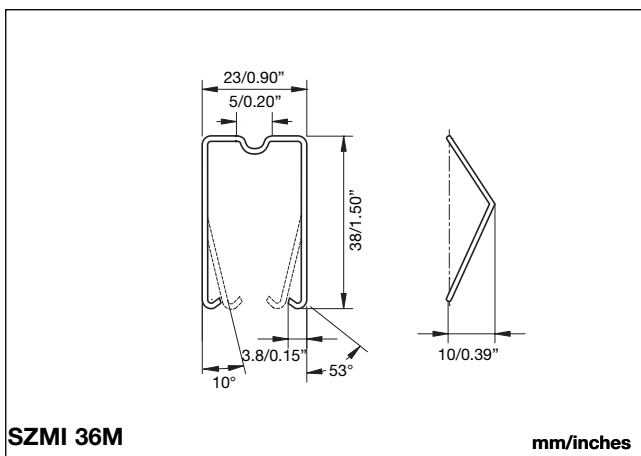


## Optional Springs for ZY series

### SZMI 36M



SZMI 36M

mm/inches

### General data

Spring material

Stainless steel

Packaging

Box content:

1 plastic bag, 10pcs.

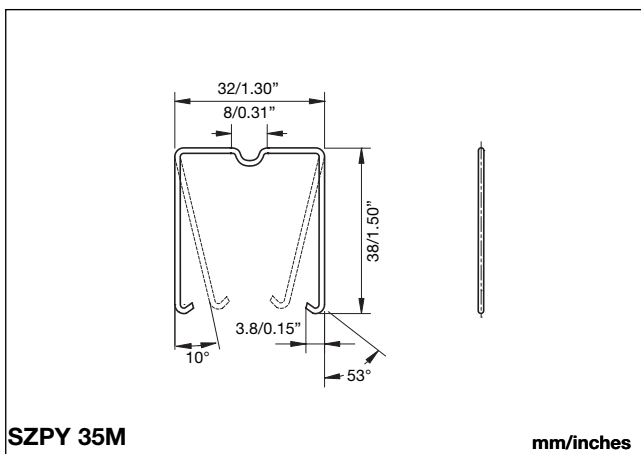
Weight:

~5g (0.18oz)



Only for ZY08

### SZY 35M



SZPY 35M

mm/inches

### General data

Spring material

Stainless steel

Packaging

Box content:

1 plastic bag, 10pcs.

Weight:

~5g (0.18oz)



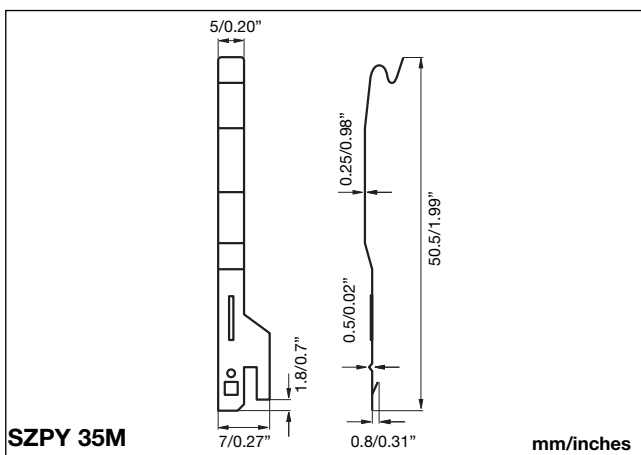
Only for ZY14

Note:

If the relay has the test button option, it is not possible to use the spring.

## Optional Springs for ZPY series

### SZPY 35M



SZPY 35M

mm/inches

### General data

Spring material

Stainless steel

Packaging

Box content:

1 plastic bag, 10pcs.

Weight:

~10g (0.36oz)



Note:

For each relay/socket are required at least 2 springs.  
Up to 4 springs can be mounted.