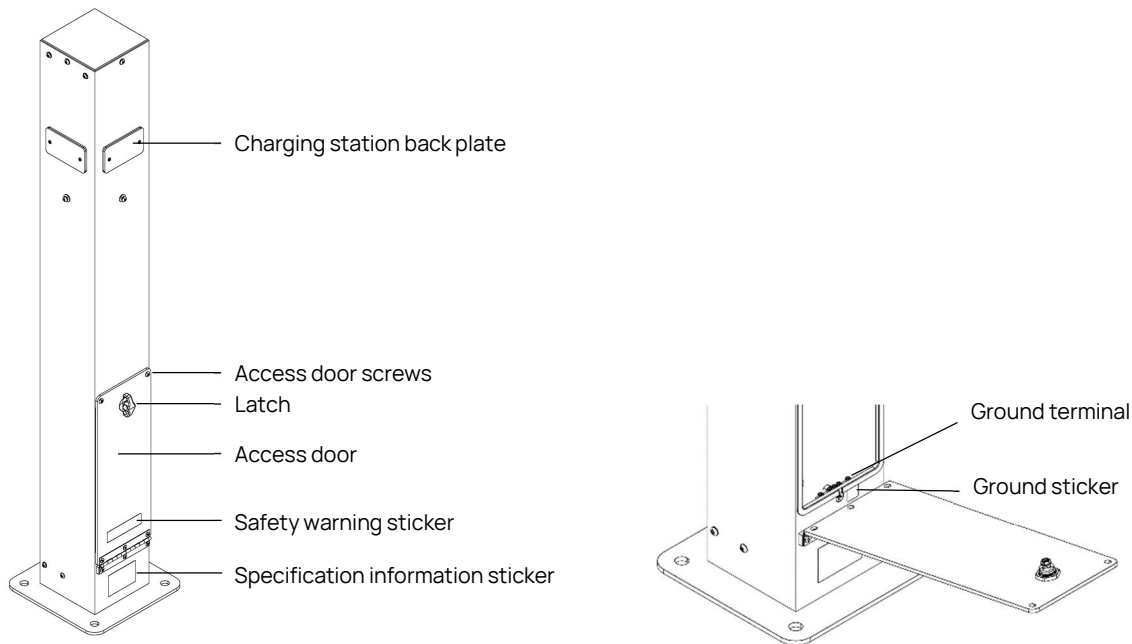


3. Pedestal Specifications

The pedestal is designed to be installed using these components: the pedestal enclosure, a cascading kit (on certain pedestal models), and a pedestal anchor. An optional cable management system is also available.

3.1. Pedestal

The pedestal has an access door latch that can be secured using a padlock (not included).



3.1.1. Specifications

The table below displays the pedestal specifications:

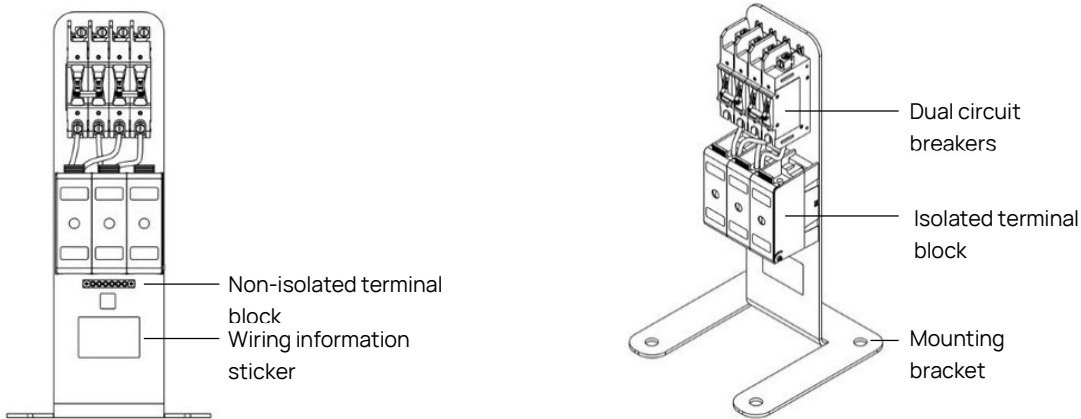
Product family	CoRe+ MAX
Model	ACPE000022
Ingress protection rating	3R enclosure type; suitable for outdoor use
Shipping weight	Approximately 25 lbs. not including packaging
Security standard compliance	UL 50E / CSA C22.2 No. 94.2 Enclosures for Electric Equipment, Environmental Considerations

3.4. Cascading Kit

The cascading kit allows electricians to connect several charging stations to a single circuit from the main panel. Two versions are available: one without a built-in disconnect device (Pedestals ACPE001040 and ACPE001060) and one where this device is included (Pedestal ACPE00100). In the latter case, the cascading kit has 2 separate assemblies, a pre-assembled mounting bracket, and a breaker lock. The breaker lock allows the breaker to be used as a disconnect device that needs to be locked in the open position while maintenance is being performed on the EVSE.

3.4.1. Cascading Kit Mounting Bracket

The cascading kit comes pre-assembled on a mounting bracket.



3.4.1.1. Configurations

The pedestals with cascading functionality are available in three configurations as per the table below:

Pedestal	Rating	Description
ACPE001040	40 A	One 3-pole terminal block that can accept up to AWG 4/0 90 °C copper or aluminum conductor and 2x 40 A breakers.
ACPE001060	60 A	One 3-pole terminal block that can accept up to AWG 4/0 90 °C copper or aluminum conductor and 2x 60 A breakers.
ACPE001100	100 A	One 3-pole terminal block that can accept up to AWG 4/0 90 °C copper or aluminum conductor and 2x 100 A breakers and a breaker lock mechanism.