

Standard Enclosures

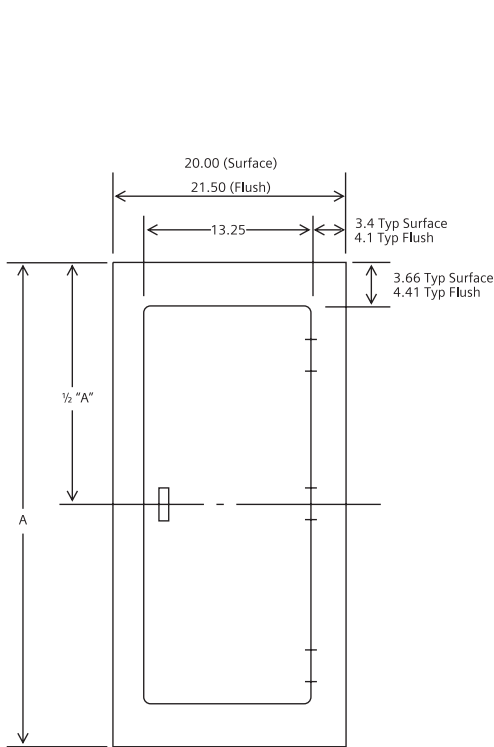
Box Height (in.)	Catalog Number				
	Type 1 Standard Trim			Type 3R [®]	Type 3R/12 [®]
	Box ^①	Surface ^②	Flush ^②		
26	B26	S26B	F26B	NR26	WP26
32	B32	S32B	F32B	NR32	WP32
38	B38	S38B	F38B	NR38	WP38
44	B44	S44B	F44B	NR44	WP44
50	B50	S50B	F50B	NR50	WP50
56	B56	S56B	F56B	NR56	WP56
62	B62	S62B	F62B	NR62	WP62
68	B68	S68B	F68B	NR68	WP68
74	B74	S74B	F74B	NR74	WP74

① 14 Gauge Steel only.
 ② 16 Gauge Can w/ 14 Gauge Front.

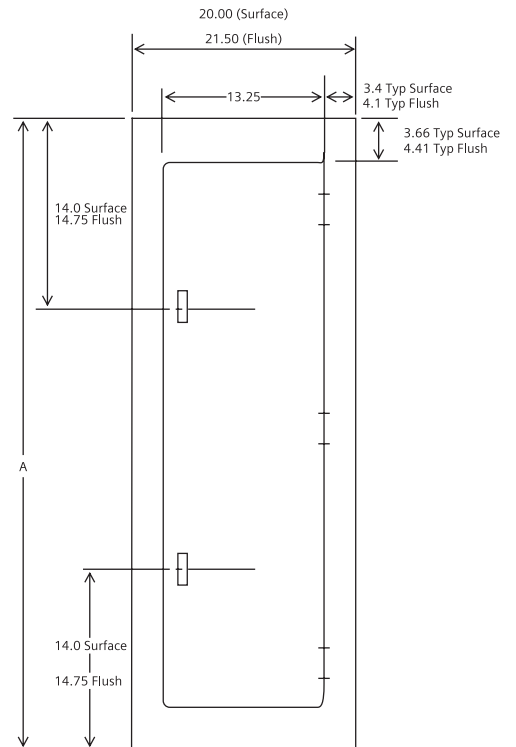
Lug Kits — Main or Feed Thru

Amp Rating	Mat.	Wire Range (includes Neutral)	Service	Revised P1 Catalog No. ^①
250	AL	(1) #6 AWG-350 kcmil (CU or AL)	1 Phase	MLKA1A
			3 Phase	MLKA3A
	CU	(1) #6 AWG-350 kcmil (CU) cable only	1 Phase	MLKC1A
			3 Phase	MLKC3A
400	AL	(2) 1/0 - 250 kcmil or (1) #2 AWG-600 kcmil	1 Phase	4MLKA1A
			3 Phase	4MLKA3A
	CU	(1) 1/0 - 600 kcmil CU cable only	1 Phase	4MLKC1A
			3 Phase	4MLKC3A
400	AL	(1) AL 1/0-750 kcmil (2) AL/CU 250kcmil max. [max.(1) 600 kcmil CU wire]	1 Phase	4MLKA1B
			3 Phase	4MLKA3B

① Revised P1 kits cannot be used with original P1.



Box Size	Surface	Flush	# of Hinges
	A	A	
26	26	27.5	2
32	32	33.5	2
38	38	39.5	2
44	44	45.5	3
50	50	51.5	3



Box Size	Surface	Flush	# of Hinges
	A	A	
56	56	57.5	3
62	62	63.5	3
68	68	69.5	3
74	74	75.5	3