

Box terminal TS1.4 3 units 4 AWG...350 kcmil w. control wire volt. tap-off 3 units accessories for: 3VA5 250



Model	
product brand name	SENTRON
product designation	accessories
design of the product	box terminal with voltage tap 3 items
accessories	Box terminal
General technical data	
designation / of the terminal	TS1.4
type of electrical connection / with control wire tap	Yes
Connections according IEC	
connectable conductor cross-section	
<ul style="list-style-type: none"> for copper cable / stranded / minimum for copper cable / stranded / maximum 	25 mm ² 185 mm ²
stripped length	19 mm
tightening torque / when using copper cables	
<ul style="list-style-type: none"> stranded finely stranded 	25 - 35 mm ² : 6 Nm 50 - 185 mm ² : 12 Nm 35 mm ² : 6 Nm 50 -150 mm ² : 12 Nm
Connections according UL	
permissible temperature / of connectable conductor / according to UL 486A-486B	75 °C
stripped length	0.75 in
connectable conductor cross-section	
<ul style="list-style-type: none"> for copper cable / stranded / minimum for copper cable / stranded / maximum 	4 AWG 350 kcmil
tightening torque / when using copper cables	
<ul style="list-style-type: none"> stranded 	4 - 1 AWG: 70 lb-in 1/0 - 350 kcmil: 140 lb-in

Certificates		
General Product Approval	EMC	Declaration of Conformity



[Miscellaneous](#)



EG-Konf.

Marine / Shipping	other	Environment
-------------------	-------	-------------



LRS

[Confirmation](#)

[Miscellaneous](#)

[Miscellaneous](#)

[Environmental Con-
firmations](#)

Further information

Siemens has decided to exit the Russian market (see here).

<https://press.siemens.com/global/en/pressrelease/siemens-wind-down-russian-business>

Siemens is working on the renewal of the current EAC certificates.

Please contact your local Siemens office on the status of validity of the EAC certification if you intend to import or offer to supply these products to an EAC relevant market (other than the sanctioned EAEU member states Russia or Belarus).

Information on the packaging

<https://support.industry.siemens.com/cs/ww/en/view/109813875>

Information- and Downloadcenter (Catalogs, Brochures,...)

<http://www.siemens.com/lowvoltage/catalogs>

Industry Mall (Online ordering system)

<https://mall.industry.siemens.com/mall/en/en/Catalog/product?mlfb=3VA9233-0JH12>

Service&Support (Manuals, Certificates, Characteristics, FAQs,...)

<https://support.industry.siemens.com/cs/ww/en/ps/3VA9233-0JH12>

Image database (product images, 2D dimension drawings, 3D models, device circuit diagrams, ...)

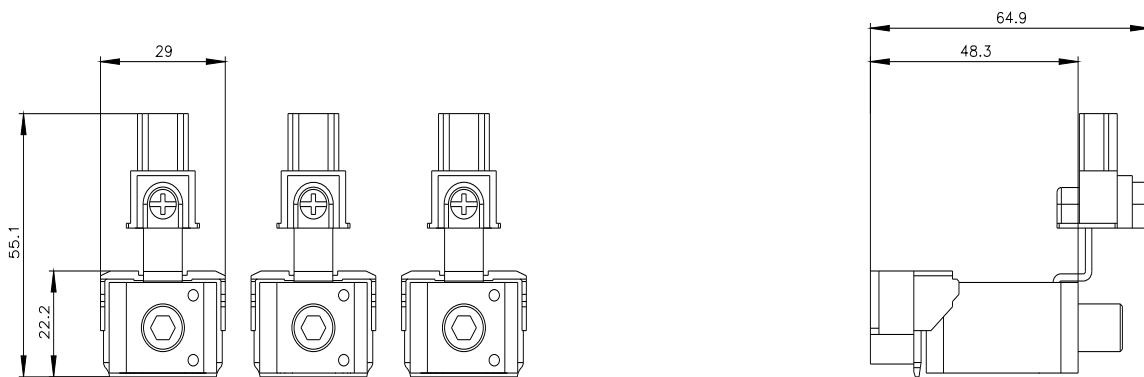
http://www.automation.siemens.com/bilddb/cax_en.aspx?mlfb=3VA9233-0JH12

CAX-Online-Generator

<http://www.siemens.com/cax>

Tender specifications

<http://www.siemens.com/specifications>



last modified:

10/25/2023 