

Door mounted rotary operator EMERGENCY-OFF NEMA type 1, 3R, 12, 4/4X with door interlocking and door open function accessory for: 3VA55/3VA65/3VA66



Model	
product brand name	SENTRON
product designation	Accessories
design of the product	Door-coupling rotary operating mechanism
accessories	Door-coupling rotary operating mechanisms

General technical data	
degree of protection NEMA rating	1, 3R, 12, 4, 4X
protection class IP	IP65

Certificates		
General Product Approval	EMC	Declaration of Conformity



[Miscellaneous](#)



Marine / Shipping	other	Environment
-------------------	-------	-------------



[Miscellaneous](#)

[Confirmation](#)

[Miscellaneous](#)

[Environmental Confirmations](#)

### Further information

Siemens has decided to exit the Russian market (see here).

<https://press.siemens.com/global/en/pressrelease/siemens-wind-down-russian-business>

Siemens is working on the renewal of the current EAC certificates.

Please contact your local Siemens office on the status of validity of the EAC certification if you intend to import or offer to supply these products to an EAC relevant market (other than the sanctioned EAEU member states Russia or Belarus).

Information on the packaging

<https://support.industry.siemens.com/cs/ww/en/view/109813875>

Information- and Downloadcenter (Catalogs, Brochures,...)

<http://www.siemens.com/lowvoltage/catalogs>

Industry Mall (Online ordering system)

<https://mall.industry.siemens.com/mall/en/en/Catalog/product?mlfb=3VA9677-0FK35>

Service&Support (Manuals, Certificates, Characteristics, FAQs,...)

<https://support.industry.siemens.com/cs/ww/en/ps/3VA9677-0FK35>

Image database (product images, 2D dimension drawings, 3D models, device circuit diagrams, ...)

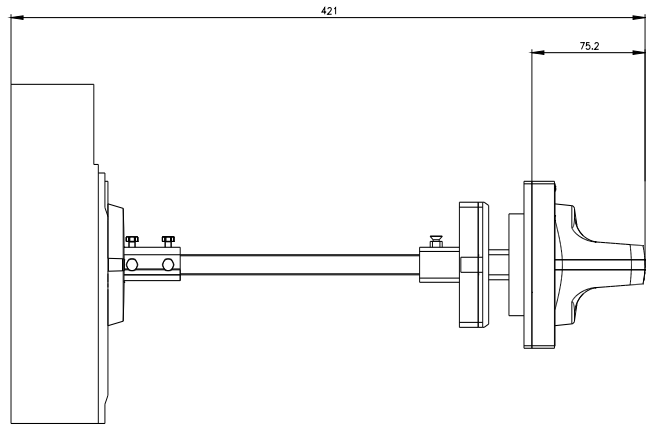
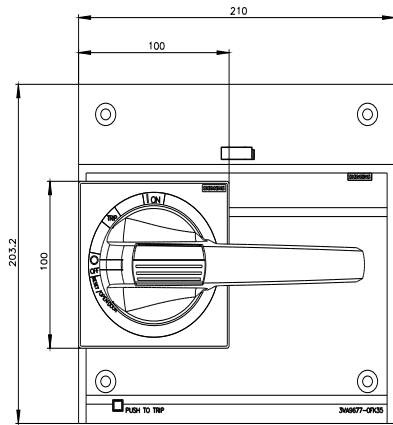
[http://www.automation.siemens.com/bilddb/cax\\_en.aspx?mlfb=3VA9677-0FK35](http://www.automation.siemens.com/bilddb/cax_en.aspx?mlfb=3VA9677-0FK35)

CAX-Online-Generator

<http://www.siemens.com/cax>

Tender specifications

<http://www.siemens.com/specifications>



---

last modified:

4/20/2023 

