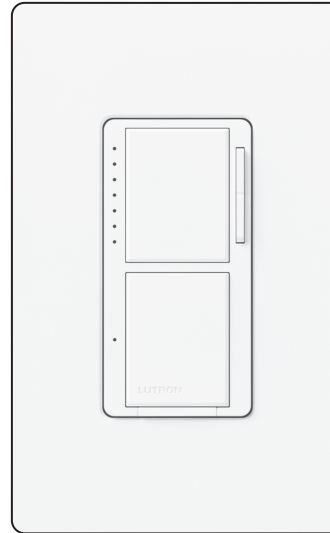


Maestro Dual LED+ Controls

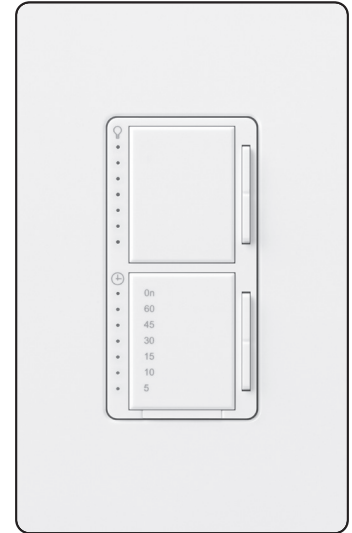
Dimmer/switch and dimmer/timer with advanced technology for dimming LED, CFL, Incandescent, and Halogen bulbs.

Features

- Large tapswitch with a rocker-style dimmer for a standard designer wallplate opening.
- No neutral required for wiring into any home.
- Coordinating Claro and Stainless Steel wallplates available separately.
- 100% factory tested.
- No derating required when ganging this product.
- **Dimmer Circuit:**
 - Advanced dimming technology designed for compatibility with a broad range of high efficacy bulbs.
 - UL® Listed to control:
 - Dimmable LED
 - Halogen
 - Incandescent
 - Dimmable Compact Fluorescent Lamps (CFLs) with integrated ballast
 - Low-end and high-end adjustments to accommodate a wide range of bulbs.
 - NEMA SSL-7A Compliant (see note on page 2 regarding minimum load).
 - Capable of controlling up to 75 W Dimmable LED/CFL or 300 W Incandescent/Halogen.
- **Timer/Switch Circuit:**
 - UL® Listed to control 2.5 A fan and/or lighting loads.



MACL-L3S25 (dimmer/switch)



MACL-L3T251 (dimmer/timer)

Wallplate sold separately

Model Numbers

MACL-L3S25-XX¹

Dimmer/switch

MACL-L3T251-XX¹

Dimmer/timer

MACL-L3S25H-WH

Dimmer/switch clamshell

MACL-L3S25H-WHC

Dimmer/switch clamshell for Canada

Notes:

¹ "XX" Color codes, see section "Colors and Finishes" on the next page.

Job Name: Job Number:	Model Numbers:
--	-----------------------

Specifications

Regulatory Approvals

- UL® Listed to U.S. and Canadian safety requirements (UL 1472/CSA C22.2 184.1)
- NOM

Power and Ratings

- **Dimmer Circuit:**

- 120 V~ 60 Hz
- Maximum Load
 - 75 W Dimmable LED/CFL
 - or**
 - 300 W Incandescent/Halogen
 - or**
 - Mixed bulb type (see **Multigang and Mixed-Bulb-Type Ratings** table on page 3)

Note: Dimmer is not rated for use with magnetic or electronic transformer loads.

- Minimum Load
 - Minimum one bulb from the approved bulb list. Visit the online tool at www.lutron.com/LEDfinder for the best performing LEDs
 - or**
 - 25 W Incandescent/Halogen

- **Switch/Timer Circuit:**

- 120 V~ 60 Hz
- Maximum Load
 - 2.5 A general purpose (lighting or fan)
- No minimum load

Environment

- For indoor use only
- Operating temperatures 32 °F to 104 °F (0 °C to 40 °C)
- Relative humidity: 0% to 90% non-condensing

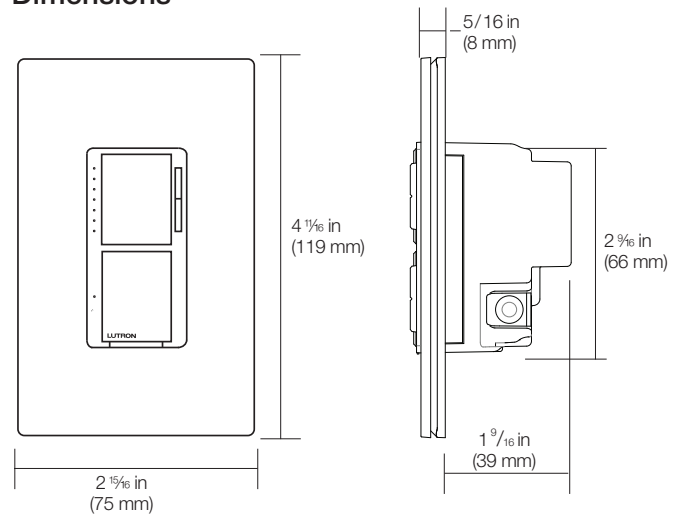
Performance

- Power failure memory: Should power be interrupted, the control will return to its previous state when power is restored.
- Tested to withstand electrostatic discharge without damage or memory loss.
- Tested to withstand surge voltages without damage or loss of operation, in accordance with IEEE C62.41-1991 recommended practice on surge voltages in low-voltage AC power circuits.
- Precise color matching.
- Includes a Front Accessible Service Switch (FASS) for safe bulb replacement.

Application Requirements

- **When using LEDs or CFLs, only bulbs marked or rated as Dimmable can be used.**
- To access our mobile friendly online tool of DIMMABLE LEDs visit www.lutron.com/LEDfinder

Dimensions



Note: Requires a U.S. wallbox 2 1/4 in (57 mm) deep minimum.

Warranty

- 1 Year Limited Warranty. For additional Warranty information, please visit www.lutron.com/TechnicalDocumentLibrary/369-119_Wallbox_Warranty.pdf

Colors and Finishes

Gloss Finishes

AL	Almond
BR	Brown
BL	Black
GR	Gray
IV	Ivory
LA	Light Almond
WH	White

Satin Finishes

SW	Snow
MN	Midnight
BI	Biscuit
HT	Hot
PD	Palladiom
TP	Taupe

Job Name:	Model Numbers:
Job Number:	

Multigang and Mixed-Bulb-Type Ratings

This product does not require derating in multigang applications.

Total LED•CFL Wattage Installed (Watts per bulb X # of bulbs)		Maximum Allowable Incandescent/Halogen Wattage
0 W	+	300 W
1 W – 25 W	+	200 W
26 W – 50 W	+	100 W
51 W – 75 W	+	0 W

Advanced Programming Mode

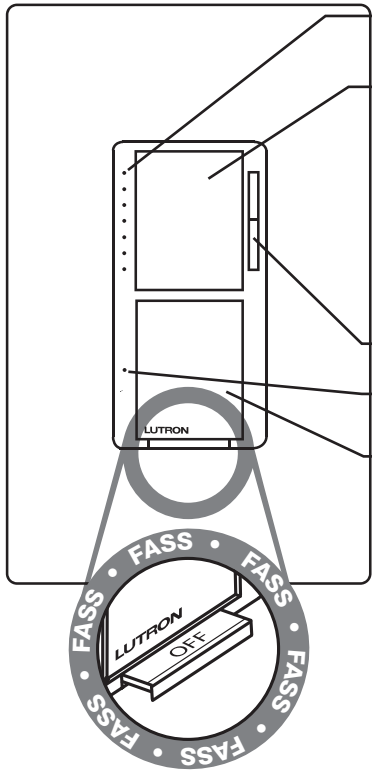
Maestro dimmers and switches contain an Advanced Programming Mode (APM) that allows users to customize the control to meet their specific needs. For a detailed description of APM features and uses please refer to Lutron Application Note #806 (P/N 048806) at www.lutron.com

Available Advanced Features	
Feature	Description
High-end trim	Select the maximum available light limit.
Low-end trim	Select the minimum available light limit.
Enable/Disable/Dim indicator lights	Select the brightness of the LEDs when the dimmer is Off.
Delayed long fade-to-off	Set the length of time to wait before entering a long fade-to-off.
Fade off time	Control the rate at which the dimmer fades to Off when the tapswitch is pressed.
Fade on time	Control the rate at which the dimmer fades from Off to preset intensity when the tapswitch is pressed.
Protected preset	Set the intensity that the dimmer will always turn on to when the tapswitch is pressed once.
Restore default	Select to return dimmer to its original factory settings.
Preset option (Timer)	Preset option determines what timeout setting the load turns ON to when the Tap button is pressed. Locked preset: turns ON load with the predetermined timer countdown level. Unlocked Preset: turns ON load with the previous timer countdown level.
Bypass option (Timer)	This option sets which timer level is selected when you double tap the button.
Load flash option (Timer)	When enabled, this makes the load do a one second flash when the timer counts down to the one minute mark.

Job Name:	Model Numbers:
Job Number:	

Operation

Dimmer/Switch



Indicator Lights (IL)

- Indicates approximate light level. LEDs may not change with each press.

Light Level Tap Button

- Tap once when lights are off -Lights brighten smoothly to preset intensity.
- Tap once when lights are on -Lights dim smoothly to off.
- Tap twice quickly -Lights brighten rapidly to full intensity.
- Press and hold for 2 seconds to activate delayed fade to OFF. Default for this feature is a 30 second delayed fade to OFF, but this can be adjusted in the advanced programming menu.

Raise/Lower Rocker

- Press rocker to adjust light level

LED

- Glows brightly when the load is ON or glows softly as a night light when load is OFF.

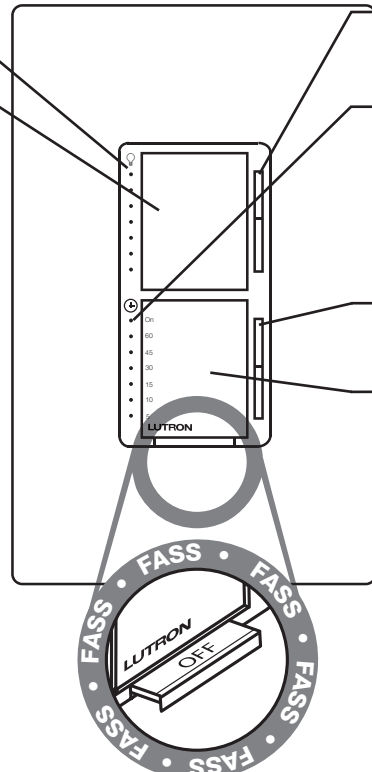
Switch Tap Button

- Tap once when unit is OFF - Controlled load turns ON.
- Tap once when unit is ON - Controlled load turns OFF.

FASS Switch

(Front Accessible Service Switch)
Pull tab out for bulb replacement.

Dimmer/Timer



Raise/Lower Rocker

- Press rocker to adjust light level.

Timer LEDs

- Orange LEDs indicate timer duration or remaining time in minutes.
- Top green LED labeled ON has no time limit.
- Bottom LED blinks rapidly to indicate one minute of time remaining.

Raise/Lower Rocker

- Press rocker to adjust timeout setting.

Timer Tap Button

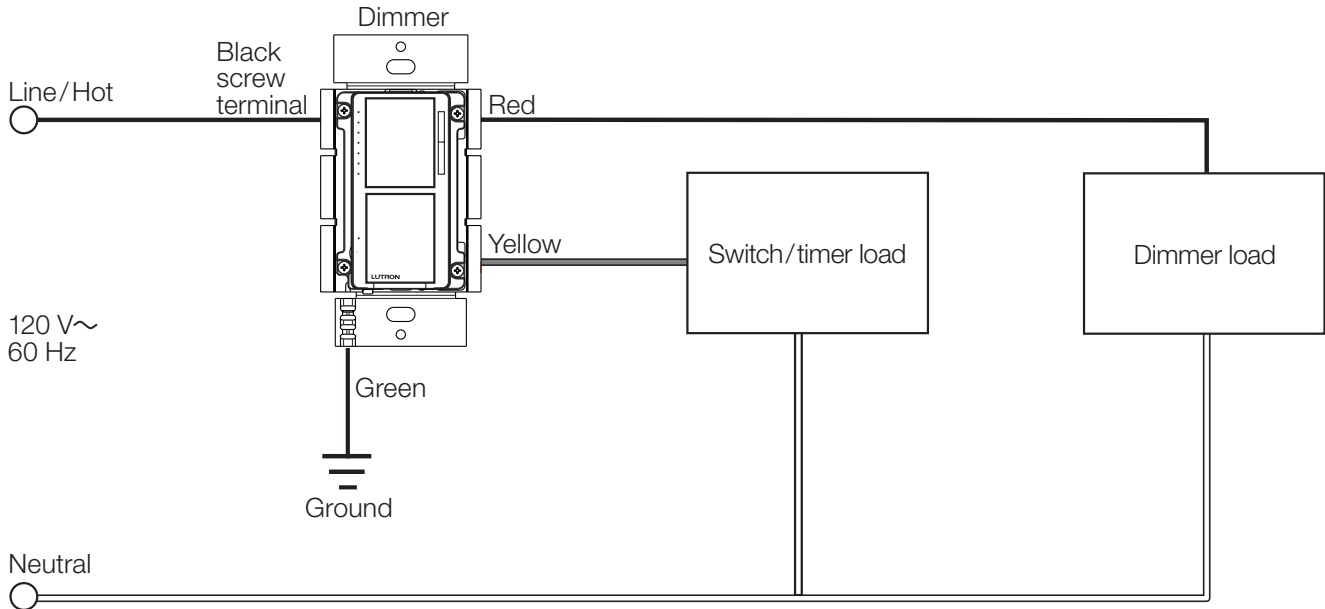
- Tap once when unit is OFF. - Controlled load turns ON and countdown timer begins. When time expires, load turns OFF.
- Tap once when unit is ON - Controlled load turns OFF.
- Tap twice quickly. - Controlled load turns ON without a time limit.

For wiring videos and step by step instructions, please see www.lutron.com/wiringwizard

Job Name:	Model Numbers:
Job Number:	

Wiring Diagrams

Single Pole Wiring



Note: A load must be connected to dimmer output (red wire) for product to function.

The Lutron logo, Lutron, FASS, LED+, and Maestro are trademarks or registered trademarks of Lutron Electronics Co., Inc. in the US and/or other countries. All other product names, logos, and brands are property of their respective owners.

Job Name:	Model Numbers:
Job Number:	