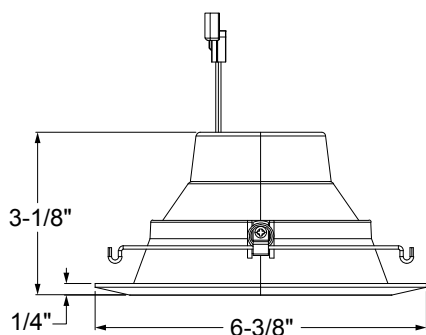


JUNO[®]**RLD Series LED Downlight Retrofit**

5" LED Retrofit Baffle Trim Module

5RLD G4 Series**Dimensions**

Ships with:

**E26 Adapter**

Project:
Fixture Type:
Location:
Contact/Phone:

Product Features

The 5" RLD LED module provides an affordable means to create a well lit environment with exceptional energy efficiency and near zero maintenance. Great for retrofit into existing downlight cans or for use in new construction and remodel applications. The LED module maintains at least 70% light output for 50,000 hours.

- Durable die-cast aluminum all-in-one design replaces traditional lamp and trim for energy savings
- Crisp baffle grooves and deep source regression minimizes glare and ceiling brightness
- Dedicated 5" trim size provides proper scale and aesthetics to replace 5" legacy trims with minimal flange thickness

Applications

- Retrofit into existing downlight cans or use as an economical LED solution for new construction downlighting in residential and light commercial applications
- Torsion springs are pre-installed for ease of installation and suitable for installation in 5" standard and shallow-height housings
- Wet rated and air-loc: perfect for showers and bathrooms

Performance

Delivered Lumens	Nominal 700L
LED Color Temperature	2700K, 3000K
CRI	90+
Voltage	Dedicated 120V
Dimming	Dimmable flicker-free dimming from 100% to 5%

For a list of compatible dimmers see [JUNORLDSERIES-DIM](#)

Specifications

Aperture:	5"
Ceiling opening:	5.25"
Overlap trim:	6.375"
Height:	3.125"



RLD Series LED Downlight Retrofit

5" LED Retrofit Baffle Trim Module



ORDERING INFORMATION

Downlight

Example: 5RLD G4 07LM 27K 90CRI 120 FRPC WWH

Trim Series	Generation	Lumens	Color Temperature	Color Rendering Index	Voltage	Driver	Finish
5RLD 5" Juno Retrofit Downlight	G4 Generation 4	07LM 700 Nominal Lumens	27K 2700K 30K 3000K	90CRI 90+ CRI	120 120V	FRPC Forward/Reverse Phase Cut	WWH White, White Trim Ring

Housing options : Order as separate catalog number.

QC5	Quick Connect 5" LED new construction Downlight
QC5R	Quick Connect 5" LED Remodel Downlight
IC25	5" IC shallow new construction housing
IC25R	5" IC shallow remodel housing
IC20	5" IC new construction housing
IC20R	5" IC remodel housing
IC20N	5" IC new construction housing, no plate

Accessories: Order as separate catalog number.

LEDRETROWHIP	Replacement E26 screw base adapter for installation into incandescent housings
---------------------	--

Paris perfectly with Juno housings for a complete downlight solution: Order housings as separate catalog number.

QC5 Series - New Construction Quick Connect LED Housing



QC5R Series - Remodel Quick Connect LED Housing





RLD Series LED Downlight Retrofit

5" LED Retrofit Baffle Trim Module



Specifications

LED Downlight Retrofit Trim

Cast aluminum trim with white baffle and flange • All-in-one design where LED light engine mounts directly to trim for ease of installation into existing 5" recessed housings with medium base sockets • Provided with torsion springs.

LED Light Engine

LEDs are mounted directly to cast aluminum housing providing superior thermal management to ensure long life • 2700K and 3000K LED color temperature • 90 CRI minimum • Accommodates 120 volts AC at 60Hz • Dimmable with most standard incandescent, magnetic low voltage and electronic low voltage dimmers • For a list of compatible dimmers, see [JUNORETROBASICS-DIM](#).

Electrical Connections

Trim features quick connect plug installed as standard for installation into QC5 and QC5R housings with mating connector • Trim ships as standard with a medium base socket adapter whip for installation into 5" incandescent housings with medium base sockets.

Trim

Cast aluminum baffle trim with white finish • Diffusing lens conceals the LEDs from direct view and provides uniform aperture luminance.

Life

Rated for 50,000 hours at 70% lumen maintenance.

Labels

ENERGY STAR® Certified • Can be used to comply with 2019 Title 24, Part 6, JA8 high efficacy LED light source requirements • T20 Certified • UL and cUL classified for use with most standard UL listed 5" recessed incandescent housings and Juno QC5 and QC5R; see below for specific compatibility requirements • Damp location • Suitable for wet locations (indoor covered ceilings).

Testing

All reports are based on published industry procedures; field performance may differ from laboratory performance.

Warranty 5-year limited warranty. This is the only warranty provided and no other statements in this specification sheet create any warranty of any kind. All other express and implied warranties are disclaimed. Complete warranty terms located at: www.acuitybrands.com/CustomerResources/Terms_and_conditions.aspx

Note: Actual performance may differ as a result of end-user environment and application.

All values are design or typical values, measured under laboratory conditions at 25 °C.

Specifications subject to change without notice.

PERFORMANCE DATA

	700L	
	27K	30K
Input Voltage	120V	120V
Input Power Typical	8W	8W
Frequency	60Hz	60Hz
EMI/RFI	FCC Title 47, Part 15 Class B (consumer)	FCC Title 47, Part 15 Class B (consumer)
Minimum Starting Temp	-30°C (-22°F)	-30°C (-22°F)
CRI	90 min.	90 min.
CCT	2700K	3000K



RLD Series LED Downlight Retrofit

5" LED Retrofit Baffle Trim Module



PHOTOMETRICS

Distribution Curve

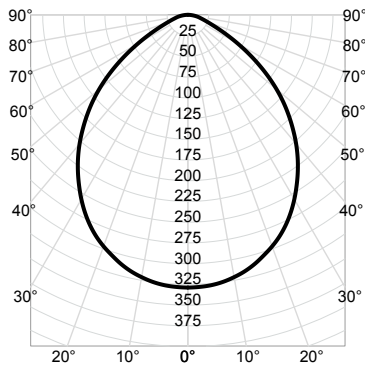
Distribution Data

Output Data

Coefficient of Utilization

Illuminance Data at 30" Above Floor for a Single Luminaire

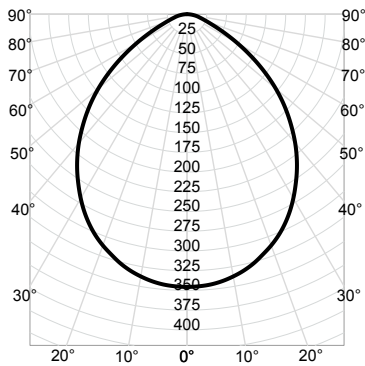
5RLD G4 07LM 27K 90CRI WWH, Input Watts: 7.5, Delivered Lumens: 683, LPW: 91.1, S/MH: 1.17, Test No: 20-1027-3



CP Summary		Zonal Lumen Summary				Coefficients of Utilization										Cone of Light			Luminance (cd/sq.m)	
0°	Zone	Lumens	% Fixture	pf pc	80%		20% 70%		50%		Mounting Height	Initial FC Center Beam	Beam Diameter	Average Luminance						
				pw	50%	30%	10%	50%	30%	10%					50%	30%	10%			
0°	0° - 30°	247	36%	0	119	119	119	116	116	116	111	111	111	6.0	9.1	12.5	0°	25,553		
5°	0° - 40°	391	57%	1	107	103	100	105	101	98	100	98	95	8.0	5.1	16.7	45°	18,931		
15°	0° - 60°	617	90%	2	95	89	85	93	88	84	90	86	82	10.0	3.3	20.9	55°	14,114		
25°	0° - 90°	683	100%	3	85	78	73	84	77	72	81	75	71	12.0	2.3	25.1	65°	7,703		
35°	90° - 180°	0	0%	4	77	69	63	75	68	63	73	67	62	14.0	1.7	29.2	75°	4,863		
45°	0° - 180°	683	100%	5	69	61	55	68	61	55	66	60	54				85°	4,279		
55°		104		6	63	55	49	62	54	49	60	54	48							
65°		42		7	58	49	44	57	49	44	55	48	43							
75°		16		8	53	45	40	52	45	39	51	44	39							
85°		5		9	49	41	36	48	41	36	47	40	36							
90°		0		10	45	38	33	45	38	33	44	37	33							

Beam Angle: 92.5°
Field Angle: 134.6°

5RLD G4 07LM 30K 90CRI WWH, Input Watts: 7.7, Delivered Lumens: 718, LPW: 93.2, S/MH: 1.15, Test No: 20-1027-4



CP Summary		Zonal Lumen Summary				Coefficients of Utilization										Cone of Light			Luminance (cd/sq.m)	
0°	Zone	Lumens	% Fixture	pf pc	80%		20% 70%		50%		Mounting Height	Initial FC Center Beam	Beam Diameter	Average Luminance						
				pw	50%	30%	10%	50%	30%	10%					50%	30%	10%			
0°	0° - 30°	260	36%	0	119	119	119	116	116	116	111	111	111	6.0	9.6	12.5	0°	26,851		
5°	0° - 40°	411	57%	1	107	103	100	105	101	98	100	98	95	8.0	5.4	16.7	45°	19,876		
15°	0° - 60°	648	90%	2	95	89	85	93	88	84	90	86	82	10.0	3.5	20.9	55°	14,900		
25°	0° - 90°	718	100%	3	85	78	72	84	77	72	81	75	71	12.0	2.4	25.0	65°	8,254		
35°	90° - 180°	0	0%	4	77	69	63	75	68	62	73	67	62	14.0	1.8	29.2	75°	5,103		
45°	0° - 180°	718	100%	5	69	61	55	68	61	55	66	59	54				85°	4,457		
55°		110		6	63	55	49	62	54	49	60	53	48							
65°		45		7	57	49	44	57	49	44	55	48	43							
75°		17		8	53	45	39	52	45	39	51	44	39							
85°		5		9	49	41	36	48	41	36	47	40	36							
90°		0		10	45	38	33	45	37	33	44	37	33							

Beam Angle: 92.4°
Field Angle: 134.8°