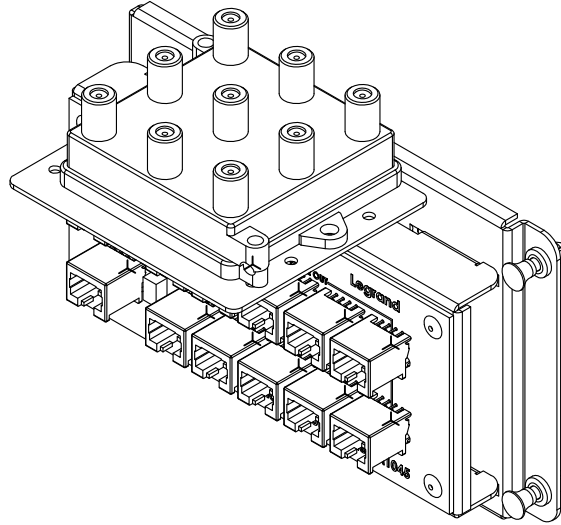


2

1

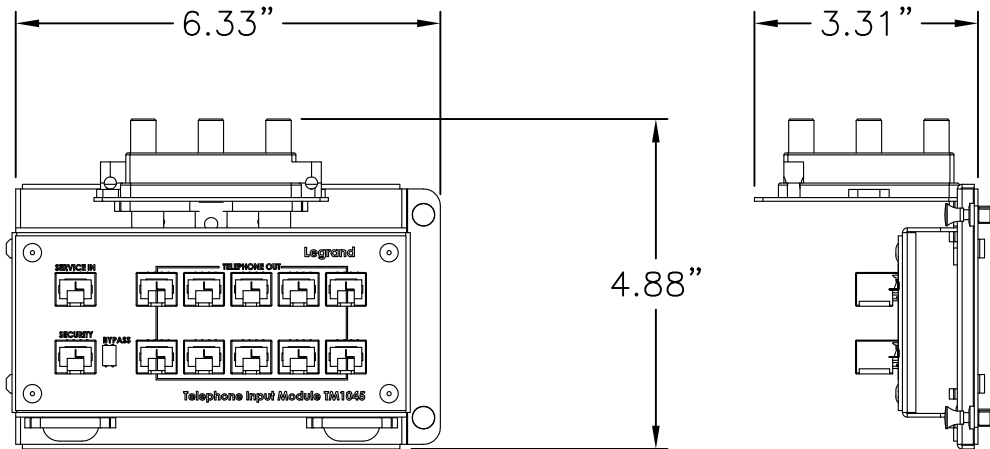
NOTES:

- 1. 8 WAY PASSIVE DIGITAL HDTV CABLE SPLITTER
- 2. 6kV RING WAVE SURGE PROTECTION ON ALL COAX PORTS
- 3. 1X10 4-LINE RJ45 TELECOM MODULE
- 4. RJ31X SECURITY LINE INTERFACE





B

B



A

A

PROPRIETARY AND CONFIDENTIAL THE INFORMATION CONTAINED IN THIS DRAWING IS THE SOLE PROPERTY OF On-Q/LEGRAND. ANY REPRODUCTION IN PART OR AS A WHOLE WITHOUT THE WRITTEN PERMISSION OF On-Q/LEGRAND IS PROHIBITED. DRAWING IS SUBJECT TO CHANGE WITHOUT NOTICE.	  P.O. Box 60907 Middletown, PA 17106-0907 1-800-321-2343		TITLE: 10X8 COMBO MODULE RJ45 W/RJ31X			
	SIZE A	DWG NO CO1045	FILE NAME CD-CO1045	CUST REV 1		
	REVISED DATE 1/30/14		SCALE NONE	SHEET 1 OF 1		

2

1