




actuating unit with rod variable depth, flanged actuator set, comprising: epoxy-coated steel handle NEMA 1, 12, 3R black = OFF red = ON switching mechanism mounting depth 8 to 16 inches accessory for: 3VA53/54; 3VA63/64

Model	
product brand name	SETRON
accessories	Variable depth flange mounted operator
General technical data	
degree of protection NEMA rating	1, 12, 3R
Certificates	
General Product Approval	EMC



[Miscellaneous](#)



Marine / Shipping	other	Environment			
	Miscellaneous	Confirmation	Miscellaneous	Environmental Confirmations	

Further information

Siemens has decided to exit the Russian market (see here).

<https://press.siemens.com/global/en/pressrelease/siemens-wind-down-russian-business>

Siemens is working on the renewal of the current EAC certificates.

Please contact your local Siemens office on the status of validity of the EAC certification if you intend to import or offer to supply these products to an EAC relevant market (other than the sanctioned EAEU member states Russia or Belarus).

Information on the packaging

<https://support.industry.siemens.com/cs/ww/en/view/109813875>

Information- and Downloadcenter (Catalogs, Brochures,...)

<http://www.siemens.com/lowvoltage/catalogs>

Industry Mall (Online ordering system)

<https://mall.industry.siemens.com/mall/en/en/Catalog/product?mlfb=3VA9478-0DK72>

Service&Support (Manuals, Certificates, Characteristics, FAQs,...)

<https://support.industry.siemens.com/cs/ww/en/ps/3VA9478-0DK72>

Image database (product images, 2D dimension drawings, 3D models, device circuit diagrams, ...)

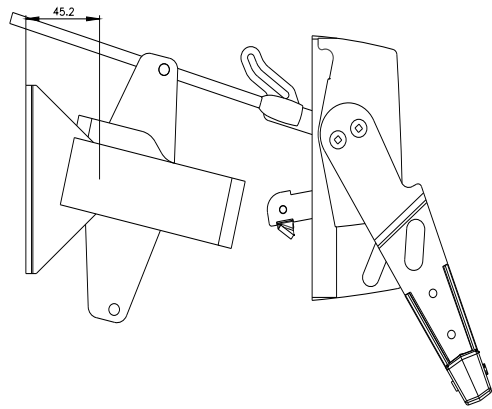
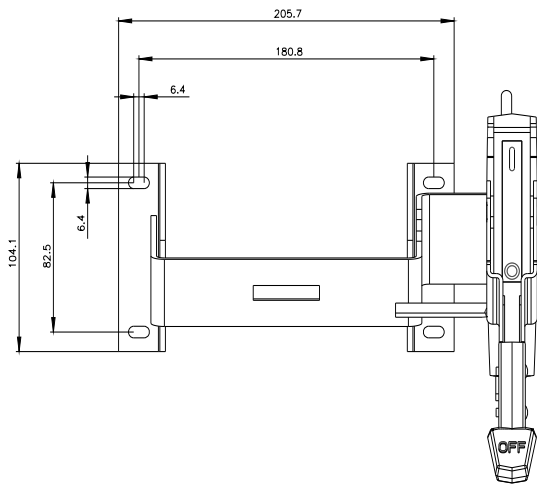
http://www.automation.siemens.com/bilddb/cax_en.aspx?mlfb=3VA9478-0DK72

CAX-Online-Generator

<http://www.siemens.com/cax>

Tender specifications

<http://www.siemens.com/specifications>



last modified:

4/20/2023 

