

Project: _____

Type: _____

Drawn by: _____ Catalogue #: _____

Date: _____

VTL8-L GEN 2

3 CCT AND 4 POWER SELECTABLE, NEMA 4X, NSF VAPOR TIGHT

This 8' luminaire ideal for a variety of industrial and commercial applications. Installed either indoors or outdoors, the VTL8-L provides superior light distribution and is intended for environments where moisture and/or dust may be present. Perfect for applications requiring the complete containment of LEDs for easy washability and hose down. The VTL8-L series can withstand reduced temperatures and moderate impact.



FEATURES AND SPECIFICATIONS

• Construction

Physical Characteristics

- Lightweight, slim and durable impact-resistant polycarbonate construction
- Easy installation and maintenance. Gear tray is attached to the lens exposing the internal components when the fixture is in open position. Change the color temperature and desired lumen output with the simple touch of a button
- Uniform gasketed seal and reinforced stainless steel clips block the ingress of moisture and dust
- Pre-drilled end-holes and two watertight glands are offered with each fixture to preserve integrity of internal components

Mounting options

Surface, suspended or 90° surface mounting. Set of 2 V-hooks and 2 mounting clips included with each fixture for surface or suspended mounting with chain or aviation cable

Lens

The frosted LED diffusing pigment lens provides uniform light distribution and has been UV stabilized to ensure that there is no yellowing over time. This impact-resistant polycarbonate lens is impervious to rust or rot and is unaffected by extreme temperatures.

• Performance Data

- Available in 3 500/4 000/5 000 K selectable color temperature
- 80+ CRI
- Electrical ratings: 120-347 V
- Estimated life of over 54 000 to L70
- 0-10 V dimming driver. Dimming cables sold separately
- 2kV surge protection (standard). See options table for additional surge protection.
- Operating temperature: -40°C to +40°C (-40°F to +104°F)

• Compliances

- Suitable for damp & wet locations
- IP66
- Meets requirements of ICES-005 (Class B)
- UL1598, UL8750
- cETLus certified
- NSF certified (Splash Zone and Non Food Zone)
- NEMA 4X
- IK10
- DLC Premium, DLC Standard

OVERVIEW

Light source	LED
Watts (W)	65/75/90/110
Lumen output (lm)	9 516 - 16 101
Efficacy (lm/W)	141 - 150
Color temperature (K)	3 CCT (3 500/4 000/5 000 K)
CRI	80+
Weight (lbs)	9.8 - 10.5



Not all products are qualified on the DLC QPL. To view our DLC qualified products, please consult the DLC Qualified Products List at www.designlights.org/search.

QUICK SHIP AND TECHNICAL SPECIFICATION TABLE 🕒¹

Order code	Model number	Watts (W)	Volts (V AC)	Color temp. (K) ²	Lumen output (lm) ^{3,4}	Efficacy (lm/W)	CRI	Life L70 (hrs) ⁵	Tested hours LM-80 (hrs) ⁵	Dimming	Power factor	THD (%)
8'												
69569	VTL8-PS110B-Q-3C	65/75/90/110	120-347	3 500/4 000/5 000	9 796/11 148/13 121/16 101	146	80+	> 54 000	9 000	0-10 V	>0.9	<20

¹ **QUICK SHIP:** Product availability is subject to change without notice. Please contact your Stanpro customer service representative to confirm inventory levels at time of order.

² Typical color temperature range: +/- 5 %.

³ Lumen values are derived from photometric testing. Initial lumens range: +/- 10 %.

⁴ Lumen values are derived from DLC reported data at 4 000 K. Please refer to the LUMEN SPECIFICATION TABLE for more details on other color temperatures

⁵ Life hours are derived from IESNA LM-80-08 testing report and projected per IESNA TM-21-11 extrapolations

DLC UNIQUE ID TABLE

Order code	Model Number	DLC Premium Unique ID ¹	DLC Standard Unique ID ²
69569	VTL8-PS110B-Q-3C	S-0IY51Q	S-DJH3F0

¹ Primary Use Designation: Stairwell and Passageway Luminaires

² Primary Use Designation: Direct Linear Ambient Luminaire

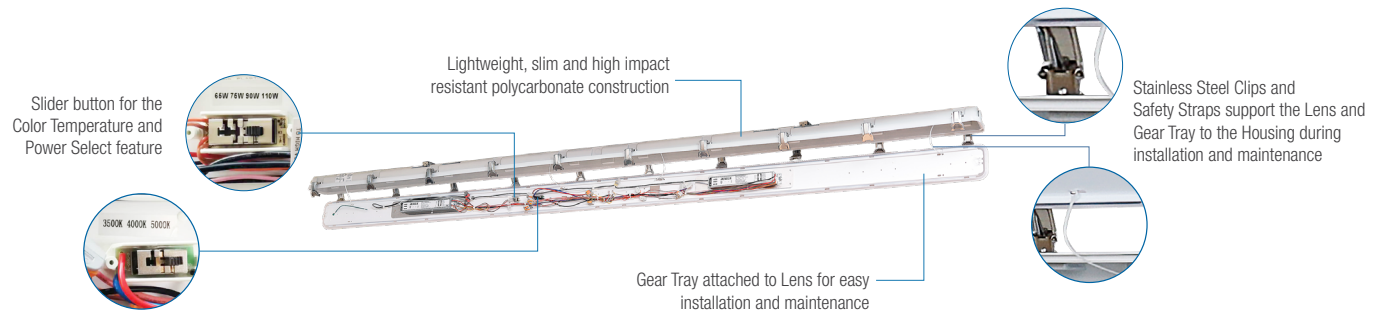
QUICK SHIP SPECIFICATION TABLE

Order Code	Model Number	Watts (W)	Volts (V)	3 500 K		4 000 K		5 000 K	
				Lumen output (lm)	Efficacy (lm/W)	Lumen output (lm)	Efficacy (lm/W)	Lumen output (lm)	Efficacy (lm/W)
69569	VTL8-PS110B-Q-3C	65	120-347	9 512	146	9 796	150	9 651	148
		75		10 824	144	11 148	148	10 982	146
		90		12 740	141	13 121	146	12 926	143
		110		15 634	142	16 101	146	15 862	144

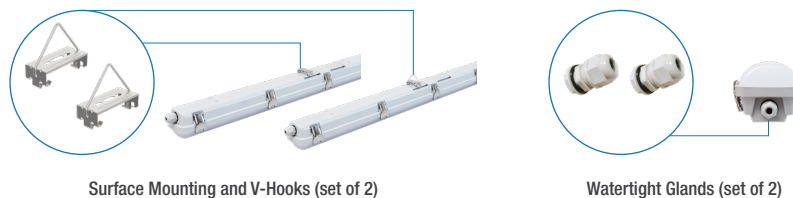
DEFAULT PROGRAMMING

69569	110 W / 4 000 K
-------	-----------------

PRODUCT FEATURES



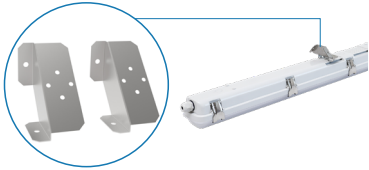
ACCESSORIES (INCLUDED IN THE BOX)



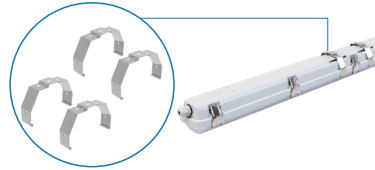
Data is based upon tests performed in a controlled environment. Actual performance can vary depending on operating conditions. All products are subject to change or may be discontinued any time without notice.

ACCESSORIES (ORDER SEPARATELY)

Order code	Type	Compatible with
69588	Surface Mounting Brackets and V-Hooks (set of 2pcs)	All configurations
69589	90° Angle Brackets (set of 2pcs)	All configurations
69591	Tamper Proof Brackets (set of 4pcs)	All configurations
69669	Junction Box Bracket (set of 2pcs)	All configurations



90° Angle Brackets (set of 2)



Tamper Proof Brackets (set of 4)



Junction Box Bracket (set of 2)

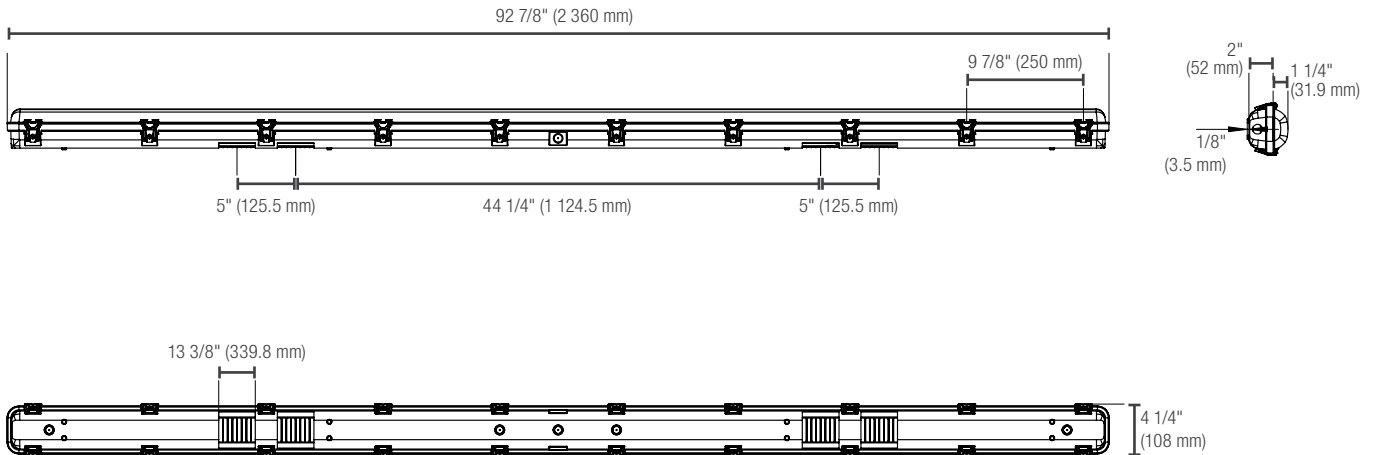
COMPATIBLE DIMMERS¹

Brand	Model
Leviton	DS710-10Z, DD710-BDZ, IP710-LFZ
Lutron	DVSTV-453P, MAESTRO MS-Z101

Dimming range: 10 %-100 %

¹ This table shows dimmers that have been tested and have demonstrated proper operation under normal conditions. Each installation being unique, various factors such as load, common neutrals or other electrical products on the circuit can, in certain instances, cause variance in system performance. Read and comply to the dimmer installation instructions. Consult dimming system manufacturer for additional support in operation. Some dimmers may require more than one product for stable operation. Stanpro recommends to use dimmers designed to work with LED products. Older dimmers designed for incandescent products may cause erratic operation.

DIMENSIONS

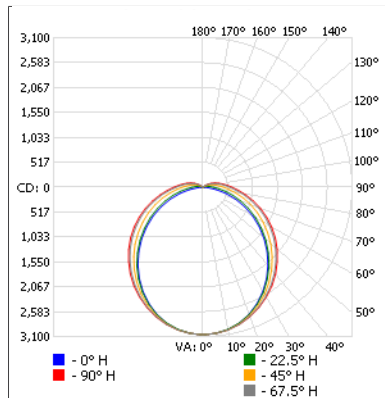


Data is based upon tests performed in a controlled environment. Actual performance can vary depending on operating conditions. All products are subject to change or may be discontinued any time without notice.

PHOTOMETRIC DATA¹

69569 • VTL8-PS110B-Q-3C • 65 W • 4 000 K • 10 255 lm

Polar candela distribution



Zonal lumen summary

Zone	Lumens	% Fixture
0-30	2 360.8	23
0-40	3 861.4	37.7
0-60	6 894.6	67.2
60-90	2 657.7	25.9
70-100	1 777.8	17.3
90-120	631.8	6.2
0-90	9 552.2	93.1
90-180	702.6	6.9
0-180	10 254.9	100

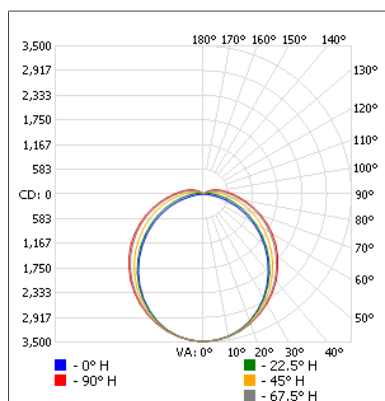
Illuminance at a distance

Center beam fc		Beam width	
1.7'	1 059	4.5'	6.7'
3.3'	281	8.7'	13.0'
5.0'	122	13.2'	19.8'
6.7'	68.2	17.7'	26.5'
8.3'	44.4	21.9'	32.8'
10.0'	30.6	26.3'	39.5'

■ Vert. spread : 105.6°
■ Horiz. spread : 126.3°

69569 • VTL8-PS110B-Q-3C • 75 W • 4 000 K • 11 676 lm

Polar candela distribution



Zonal lumen summary

Zone	Lumens	% Fixture
0-30	2 687.9	23
0-40	4 396.4	37.7
0-60	7 849.9	67.2
60-90	3 026.0	25.9
70-100	2 024.2	17.3
90-120	719.4	6.2
0-90	10 875.8	93.1
90-180	800.0	6.9
0-180	11 675.8	100

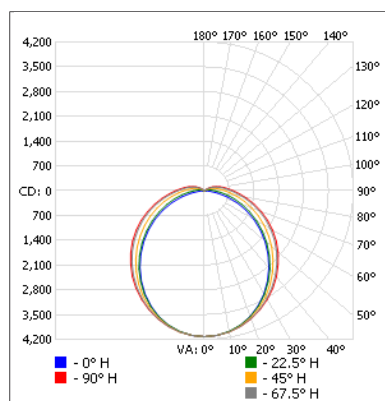
Illuminance at a distance

Center beam fc		Beam width	
1.7'	1 206	4.5'	6.7'
3.3'	320	8.7'	13.0'
5.0'	139	13.2'	19.8'
6.7'	77.6	17.7'	26.5'
8.3'	50.6	21.9'	32.8'
10.0'	34.8	26.3'	39.5'

■ Vert. spread : 105.6°
■ Horiz. spread : 126.3°

69569 • VTL8-PS110B-Q-3C • 90 W • 4 000 K • 13 813 lm

Polar candela distribution



Zonal lumen summary

Zone	Lumens	% Fixture
0-30	3 179.8	23
0-40	5 201.0	37.7
0-60	9 286.4	67.2
60-90	3 579.7	25.9
70-100	2 394.6	17.3
90-120	851.0	6.2
0-90	12 866.1	93.1
90-180	946.4	6.9
0-180	13 812.5	100

Illuminance at a distance

Center beam fc		Beam width	
1.7'	1 426	4.5'	6.7'
3.3'	379	8.7'	13.0'
5.0'	165	13.2'	19.8'
6.7'	91.8	17.7'	26.5'
8.3'	59.8	21.9'	32.8'
10.0'	41.2	26.3'	39.5'

■ Vert. spread : 105.6°
■ Horiz. spread : 126.3°

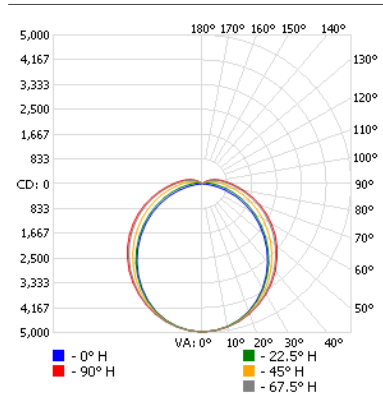
¹ Complete IES files available on our website.

Data is based upon tests performed in a controlled environment. Actual performance can vary depending on operating conditions. All products are subject to change or may be discontinued any time without notice.

PHOTOMETRIC DATA¹

69569 • VTL8-PS110B-Q-3C • 110 W • 4 000 K • 16 665 lm

Polar candela distribution



Zonal lumen summary

Zone	Lumens	% Fixture
0-30	3 836.4	23
0-40	6 275.0	37.7
0-60	11 204.1	67.2
60-90	4 318.9	25.9
70-100	2 889.1	17.3
90-120	1 026.8	6.2
0-90	15 523.0	93.1
90-180	1 141.8	6.9
0-180	16 664.9	100

Illuminance at a distance

Center beam fc		Beam width	
1.7'	1 721	4.5'	6.7'
3.3'	457	8.7'	13.0'
5.0'	199	13.2'	19.8'
6.7'	111	17.7'	26.5'
8.3'	72.2	21.9'	32.8'
10.0'	49.7	26.3'	39.5'

■ Vert. spread: 105.6°
■ Horiz. spread: 126.3°

¹ Complete IES files available on our website.

Data is based upon tests performed in a controlled environment. Actual performance can vary depending on operating conditions. All products are subject to change or may be discontinued any time without notice.