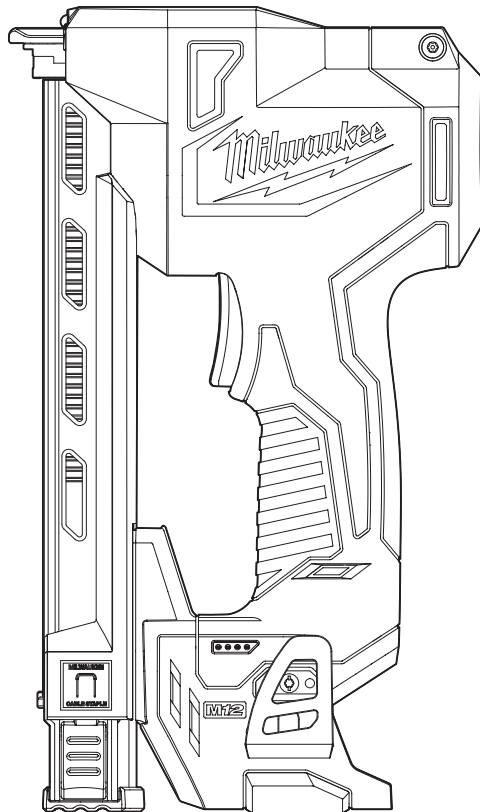




OPERATOR'S MANUAL
MANUEL de L'UTILISATEUR
MANUAL del OPERADOR



Cat. No. / No de cat.
2448-20

M12™ CABLE STAPLER
AGRAFEUSE POUR CÂBLES M12™
ENGRAPADORA PARA CABLES M12™



WARNING To reduce the risk of injury, user must read and understand operator's manual.

AVERTISSEMENT Afin de réduire le risque de blessures, l'utilisateur doit lire et bien comprendre le manuel.

ADVERTENCIA Para reducir el riesgo de lesiones, el usuario debe leer y entender el manual.

GENERAL POWER TOOL SAFETY WARNINGS

⚠WARNING Read all safety warnings, instructions, illustrations and specifications provided with this power tool. Failure to follow all instructions listed below may result in electric shock, fire and/or serious injury. **Save all warnings and instructions for future reference.** The term "power tool" in the warnings refers to your mains-operated (corded) power tool or battery-operated (cordless) power tool.

WORK AREA SAFETY

- **Keep work area clean and well lit.** Cluttered or dark areas invite accidents.
- **Do not operate power tools in explosive atmospheres, such as in the presence of flammable liquids, gases or dust.** Power tools create sparks which may ignite the dust or fumes.
- **Keep children and bystanders away while operating a power tool.** Distractions can cause you to lose control.

ELECTRICAL SAFETY

- **Power tool plugs must match the outlet. Never modify the plug in any way. Do not use any adapter plugs with earthed (grounded) power tools.** Unmodified plugs and matching outlets will reduce risk of electric shock.
- **Avoid body contact with earthed or grounded surfaces, such as pipes, radiators, ranges and refrigerators.** There is an increased risk of electric shock if your body is earthed or grounded.
- **Do not expose power tools to rain or wet conditions.** Water entering a power tool will increase the risk of electric shock.
- **Do not abuse the cord. Never use the cord for carrying, pulling or unplugging the power tool. Keep cord away from heat, oil, sharp edges or moving parts.** Damaged or entangled cords increase the risk of electric shock.
- **When operating a power tool outdoors, use an extension cord suitable for outdoor use.** Use of a cord suitable for outdoor use reduces the risk of electric shock.
- **If operating a power tool in a damp location is unavoidable, use a ground fault circuit interrupter (GFCI) protected supply.** Use of an GFCI reduces the risk of electric shock.

PERSONAL SAFETY

- **Stay alert, watch what you are doing and use common sense when operating a power tool. Do not use a power tool while you are tired or under the influence of drugs, alcohol or medication.** A moment of inattention while operating power tools may result in serious personal injury.
- **Use personal protective equipment. Always wear eye protection.** Protective equipment such as a dust mask, non-skid safety shoes, hard hat or hearing protection used for appropriate conditions will reduce personal injuries.
- **Prevent unintentional starting. Ensure the switch is in the off-position before connecting to power source and/or battery pack, picking up or carrying the tool.** Carrying power tools with your finger on the switch or energizing power tools that have the switch on invites accidents.

- **Remove any adjusting key or wrench before turning the power tool on.** A wrench or a key left attached to a rotating part of the power tool may result in personal injury.
- **Do not overreach. Keep proper footing and balance at all times.** This enables better control of the power tool in unexpected situations.
- **Dress properly. Do not wear loose clothing or jewelry. Keep your hair and clothing away from moving parts.** Loose clothes, jewelry or long hair can be caught in moving parts.
- **If devices are provided for the connection of dust extraction and collection facilities, ensure these are connected and properly used.** Use of dust collection can reduce dust-related hazards.
- **Do not let familiarity gained from frequent use of tools allow you to become complacent and ignore tool safety principles.** A careless action can cause severe injury within a fraction of a second.

POWER TOOL USE AND CARE

- **Do not force the power tool. Use the correct power tool for your application.** The correct power tool will do the job better and safer at the rate for which it was designed.
 - **Do not use the power tool if the switch does not turn it on and off.** Any power tool that cannot be controlled with the switch is dangerous and must be repaired.
 - **Disconnect the plug from the power source and/ or remove the battery pack, if detachable, from the power tool before making any adjustments, changing accessories, or storing power tools.** Such preventive safety measures reduce the risk of starting the power tool accidentally.
 - **Store idle power tools out of the reach of children and do not allow persons unfamiliar with the power tool or these instructions to operate the power tool.** Power tools are dangerous in the hands of untrained users.
 - **Maintain power tools and accessories. Check for misalignment or binding of moving parts, breakage of parts and any other condition that may affect the power tool's operation. If damaged, have the power tool repaired before use.** Many accidents are caused by poorly maintained power tools.
 - **Keep cutting tools sharp and clean.** Properly maintained cutting tools with sharp cutting edges are less likely to bind and are easier to control.
 - **Use the power tool, accessories and tool bits etc. in accordance with these instructions, taking into account the working conditions and the work to be performed.** Use of the power tool for operations different from those intended could result in a hazardous situation.
 - **Keep handles and grasping surfaces dry, clean and free from oil and grease.** Slippery handles and grasping surfaces do not allow for safe handling and control of the tool in unexpected situations.
- ### BATTERY TOOL USE AND CARE
- **Recharge only with the charger specified by the manufacturer.** A charger that is suitable for one type of battery pack may create a risk of fire when used with another battery pack.
 - **Use power tools only with specifically designated battery packs.** Use of any other battery packs may create a risk of injury and fire.

- When battery pack is not in use, keep it away from other metal objects, like paper clips, coins, keys, nails, screws or other small metal objects, that can make a connection from one terminal to another. Shorting the battery terminals together may cause burns or a fire.
- Under abusive conditions, liquid may be ejected from the battery; avoid contact. If contact accidentally occurs, flush with water. If liquid contacts eyes, additionally seek medical help. Liquid ejected from the battery may cause irritation or burns.
- Do not use a battery pack or tool that is damaged or modified. Damaged or modified batteries may exhibit unpredictable behavior resulting in fire, explosion or risk of injury.
- Do not expose a battery pack or tool to fire or excessive temperature. Exposure to fire or temperature above 265°F (130°C) may cause explosion.
- Follow all charging instructions and do not charge the battery pack or tool outside the temperature range specified in the instructions. Charging improperly or at temperatures outside the specified range may damage the battery and increase the risk of fire.
- Prior to each use, check workpiece contact and trigger for correct operation. Do not disassemble or clamp parts of the workpiece contact, trigger, or driving mechanism. This will cause unexpected actuation, resulting in serious injury.
- Do not engage in horseplay. The discharged fasteners are projectiles capable of causing serious injury.
- Do not remove, tamper with, or otherwise cause the tool operating controls to become inoperable. This will cause unexpected actuation, resulting in serious injury.
- Do not operate a tool if any portion of the tool operating controls is inoperable, disconnected, altered, or not working properly. This will cause unexpected actuation, resulting in serious injury.
- Always keep hands and body away from discharge area of the tool. Never attempt to clear a jammed workpiece contact by grasping the discharge area of the tool. Fasteners discharged from tool can cause serious injury if they contact hands or body.
- Do not drive fasteners close to the edge of the workpiece. Fasteners can slip off corners and edges or penetrate through thin material, making them projectiles capable of causing serious injury.
- Use the tool only for the intended purpose. Do not abuse the tool. Do not use as a hammer, stamp or engrave information onto parts, drop or impact the tool or otherwise apply excess force to the tool in use. Do not mount the tool to stands or modify it for stationary use.

SERVICE

- Have your power tool serviced by a qualified repair person using only identical replacement parts. This will ensure that the safety of the power tool is maintained.
- Never service damaged battery packs. Service of battery packs should only be performed by the manufacturer or authorized service providers.

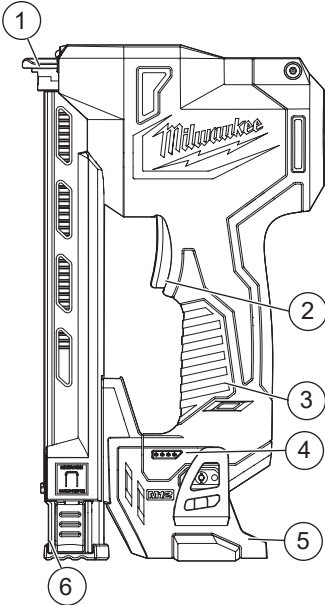
SPECIFIC SAFETY RULES FOR CABLE STAPLER

- Always assume that the tool contains fasteners. Careless handling of the stapler can result in unexpected firing of fasteners and personal injury.
- Do not point the tool towards yourself or anyone nearby. Unexpected triggering will discharge the fastener causing an injury.
- Do not actuate the tool unless the tool is placed firmly against the workpiece. If the tool is not in contact with the workpiece, the fastener may be deflected away from your target.
- Disconnect the tool from the power source when the fastener jams in the tool. While removing a jammed fastener, the tool may be accidentally activated if it is plugged in.
- Use caution while removing a jammed fastener. The mechanism may be under compression and the fastener may be forcefully discharged while attempting to free a jammed condition.
- When fastening electrical cables, make sure the cables are not energized. Hold the tacker only by insulated gripping surfaces. Use only fasteners designed for electrical cable installations. Inspect that the fastener has not damaged the insulation of the electrical cables. A fastener that damages the insulation of electrical cables can lead to electric shock and fire hazards.
- Use only those fasteners specifically recommended. Fasteners not identified for use with this tool by the tool manufacturer may result in a risk of injury to persons or damage to the tool.
- AWARNING** To reduce the risk of injury, when working in dusty situations, wear appropriate respiratory protection or use an OSHA compliant dust extraction solution.
- Always use common sense and be cautious when using tools. It is not possible to anticipate every situation that could result in a dangerous outcome. Do not use this tool if you do not understand these operating instructions or you feel the work is beyond your capability; contact Milwaukee Tool or a trained professional for additional information or training.
- Maintain labels and nameplates. These carry important information. If unreadable or missing, contact a MILWAUKEE service facility for a free replacement.
- AWARNING** Some dust created by power sanding, sawing, grinding, drilling, and other construction activities contains chemicals known to cause cancer, birth defects or other reproductive harm. Some examples of these chemicals are:
 - lead from lead-based paint
 - crystalline silica from bricks and cement and other masonry products, and
 - arsenic and chromium from chemically-treated lumber.
 Your risk from these exposures varies, depending on how often you do this type of work. To reduce your exposure to these chemicals: work in a well ventilated area, and work with approved safety equipment, such as those dust masks that are specially designed to filter out microscopic particles.

SYMBOLLOGY

- V** Volts
- — —** Direct Current
- ⚡** **WARNING!** Keep hands away
- ⚡** **WARNING!** Risk of electric shock
- 👁️** Always wear eye protection
- 📖** Read Operator's Manual
- UL** US UL Listing for Canada and U.S.

FUNCTIONAL DESCRIPTION



- | | |
|------------------------------|------------------|
| 1. Workpiece contact bracket | 4. Battery gauge |
| 2. Trigger | 5. Battery bay |
| 3. Handle | 6. Magazine |

SPECIFICATIONS

Cat. No. 2448-20
Volts..... 12 DC
Battery Type M12™
Charger Type..... M12™
Staple Type MILWAUKEE 1" Cable Staples
Recommended Ambient
Operating Temperature..... 0°F to 125°F

ASSEMBLY

⚠️ WARNING Recharge only with the charger specified for the battery. For specific charging instructions, read the operator's manual supplied with your charger and battery.

Removing/Inserting the Battery

To **remove** the battery, push in the release buttons and pull the battery pack away from the tool.

⚠️ WARNING Always remove the battery pack any time the tool is not in use.

To **insert** the battery, slide the pack into the body of the tool. Make sure it latches securely into place.

⚠️ WARNING Only use accessories specifically recommended for this tool. Others may be hazardous.

Installing/Removing Fasteners

⚠️ WARNING Always remove battery pack before changing or removing fasteners. To reduce the risk of injury, always wear proper eye protection marked to comply with ANSI Z87.1.

To **install** fasteners:

1. Remove battery pack.
2. **⚠️ WARNING!** Always point the tool away from yourself and others when installing fasteners. Failure to do so could result in injury.
3. Pinch the magazine latch and pull magazine all the way out until the magazine clicks into place.
4. Insert the fasteners into the magazine channel. The fastener legs should point outwards away from the tool body. **⚠️ WARNING!** Use only MILWAUKEE 1" Cable Staples. Other fasteners could result in tool malfunction, leading to injury.
5. Push the magazine back in until it snaps closed.

To **remove** fasteners:

1. Remove battery pack.
2. **⚠️ WARNING!** Always point the tool away from yourself and others when installing fasteners. Failure to do so could result in injury.
3. Pinch the magazine latch and pull magazine all the way out until the magazine clicks into place.
4. Remove the fasteners.

OPERATION

⚠WARNING To reduce the risk of injury, always wear safety goggles or glasses with side shields. The operator and other people in the work area must wear eye protection in accordance with ANSI Z87.1. Eye protection does not fit all operators in the same way. Make sure the eye protection chosen has side shields or provides protection from flying debris both from the front and sides. The employer is responsible for enforcing the use of eye protection by the operator and other people in the work area. When required, wear head protection in accordance with ANSI Z89.1.

To reduce the risk of injury to yourself and others, test the tool before beginning work each day according to the "Required Daily Testing" section. Remove battery pack and fasteners before leaving the work area, moving the tool to another location, or handing the tool to another person. Failure to do so could result in serious injury.

When fastening electrical cables, make sure the cables are not energized. Hold the tacker only by insulated gripping surfaces. Use only fasteners designed for electrical cable installations. Inspect that the fastener has not damaged the insulation of the electrical cables. A fastener that damages the insulation of electrical cables can lead to electric shock and fire hazards.

NEVER wedge or hold back the workpiece contact mechanism during operation of the tool. Never attempt to clear a jammed workpiece contact by grasping the discharge area of the tool. Doing so could result in serious injury.

To avoid serious injury, do not attempt to prevent the recoil by holding the tool too firmly against the work. Keep face and body away from the tool. During normal use, the tool will recoil immediately after driving a fastener. This is a normal function of the tool. Grip the handle firmly, let the tool do the work, and do not place a second hand on top of the tool.

Know what is behind your workpiece. A fastener could travel through the workpiece and out the other side, striking a bystander and causing serious injury.

Actuation Operation

1. Insert battery pack.
2. Line up the fastener to the workpiece. Press the workpiece contact bracket to the workpiece and squeeze the trigger firmly. Release trigger.
3. To control depth of actuation:
 - When firing into dense engineered lumber, such as LVL, apply additional force towards the workpiece to properly sink the staple.
 - When firing over low voltage cables such as CAT3, CAT5, or COAX, apply less force towards the workpiece to properly sink the staple.

Reload Indicator

To indicate that the magazine is empty of fasteners, the workpiece contact will not compress, preventing operation under usual pressure. Install more fasteners to continue working.

Clearing a Jammed Fastener

Most jams are caused by a fastener or part of a fastener wedging between the driver blade and the stapler guide. Fastener strips with a wrong fastener gauge may cause continuous jamming. To clear the jam:

1. Remove battery pack.
2. **WARNING!** Always point the tool away from yourself and others when installing or removing fasteners. Failure to do so could result in injury.
3. Remove fastener strip from magazine.
4. Pull down on the magazine latch and pull magazine away from the tool.
5. Remove the fastener and other debris (use needle-nose pliers if necessary).
6. Follow the steps under "Required Daily Testing" before restarting the work.

Fuel Gauge

To determine the amount of charge left in the battery, turn the tool **ON**. The Fuel Gauge will light up for 2-3 seconds. When less than 10% of charge is left, 1 light on the fuel gauge will flash 4 times.

To signal the end of charge, 1 light on the fuel gauge will flash 8 times and the tool will not run. Charge the battery pack.

If the battery becomes too hot, the fuel gauge lights will flash and the tool will not run. Allow the battery to cool down.

REQUIRED DAILY TESTING

⚠WARNING To reduce the risk of injury to yourself and others, test the tool before beginning work each day or if the tool is dropped, received a sharp blow, been run over, etc. Complete the following checklist IN ORDER. If the tool does not work as it should, contact a MILWAUKEE service facility immediately.

Always point tool away from yourself and others.

1. Remove battery pack.
2. **WARNING!** Always point the tool away from yourself and others when installing fasteners. Failure to do so could result in injury.
3. Check all screws, bolts, nuts, and pins on the tool. Any loose fasteners must be tightened.
4. Pinch the magazine latch and pull magazine out from tool. Press the workpiece contact against a workpiece. It must move smoothly.
5. With the workpiece contact pressed against the workpiece, pull the trigger. It must move smoothly.
6. Insert battery pack.
7. Make sure the magazine is still pulled out. Holding the workpiece contact away from the workpiece, pull and hold trigger for 5 seconds. The tool must not operate. Release the trigger.
8. If all previous tests work properly, set the tool for your work. Select the operation and load fastener strips.
9. If all tests operate properly, the tool is ready for use. Repeat these tests before use each day or if the tool is dropped, received a sharp blow, been run over, jammed, etc.

MAINTENANCE

⚠WARNING To reduce the risk of injury, always unplug the charger and remove the battery pack from the charger or tool before performing any maintenance. Never disassemble the tool, battery pack or charger. Contact a MILWAUKEE service facility for ALL repairs.

Maintaining Tool

Keep your tool, battery pack and charger in good repair by adopting a regular maintenance program. Inspect your tool for issues such as undue noise, misalignment or binding of moving parts, breakage of parts, or any other condition that may affect the tool operation. Return the tool, battery pack, and charger to a MILWAUKEE service facility for repair. After six months to one year, depending on use, return the tool, battery pack and charger to a MILWAUKEE service facility for inspection.

If the tool does not start or operate at full power with a fully charged battery pack, clean the contacts on the battery pack. If the tool still does not work properly, return the tool, charger and battery pack, to a MILWAUKEE service facility for repairs.

⚠WARNING To reduce the risk of personal injury and damage, never immerse your tool, battery pack or charger in liquid or allow a liquid to flow inside them.

Cleaning

Clean dust and debris from any vents. Keep tool clean, dry and free of oil or grease. Use only mild soap and a damp cloth to clean, since certain cleaning agents and solvents are harmful to plastics and other insulated parts. Some of these include gasoline, turpentine, lacquer thinner, paint thinner, chlorinated cleaning solvents, ammonia and household detergents containing ammonia. Never use flammable or combustible solvents around tools.

Repairs

For repairs, return the tool, battery pack and charger to the nearest authorized service center.

ACCESSORIES

⚠WARNING Use only recommended accessories. Others may be hazardous.

For a complete listing of accessories, go online to www.milwaukeetool.com or contact a distributor.

SERVICE - UNITED STATES

1-800-SAWDUST (1.800.729.3878)

Monday-Friday, 7:00 AM - 6:30 PM CST

or visit www.milwaukeetool.com

Contact Corporate After Sales Service Technical Support with technical, service/repair, or warranty questions.

Email: metproductsupport@milwaukeetool.com

Become a Heavy Duty Club Member at www.milwaukeetool.com to receive important notifications regarding your tool purchases.

SERVICE - CANADA

Milwaukee Tool (Canada) Ltd

1.877.948.2360

Monday-Friday, 7:00 AM - 4:30 PM CST
or visit www.milwaukeetool.ca

LIMITED WARRANTY USA & CANADA

This MILWAUKEE power tool* is warranted to the original purchaser from an authorized MILWAUKEE distributor only to be free from defects in material and workmanship. Subject to certain exceptions, MILWAUKEE will repair or replace any part on this power tool which, after examination, is determined by MILWAUKEE to be defective in material or workmanship for a period of five (5) years after the date of purchase unless otherwise noted. Return of the power tool to a MILWAUKEE factory Service Center location or MILWAUKEE Authorized Service Station, freight prepaid and insured, is required. A copy of the proof of purchase should be included with the return product. This warranty does not apply to damage that MILWAUKEE determines to be from repairs made or attempted by anyone other than MILWAUKEE authorized personnel, misuse, alterations, abuse, normal wear and tear, lack of maintenance, or accidents. Normal Wear: Many power tools need periodic parts replacement and service to achieve best performance. This warranty does not cover repair when normal use has exhausted the life of a part including, but not limited to, chucks, brushes, cords, saw shoes, blade clamps, o-rings, seals, bumpers, driver blades, pistons, strikers, lifters, and bumper cover washers.

*This warranty does not cover battery packs or all power tools. Refer to the separate and distinct warranties available for those products. The warranty period for the LED in the LED Work Light (49-24-0171) and the LED Upgrade Bulb (49-81-0090) is the lifetime of the product subject to the limitations above. If during normal use the LED or LED Upgrade Bulb fails, the part will be replaced free of charge. Warranty Registration is not necessary to obtain the applicable warranty on a MILWAUKEE power tool product. The manufacturing date of the product will be used to determine the warranty period if no proof of purchase is provided at the time warranty service is requested.

ACCEPTANCE OF THE EXCLUSIVE REPAIR AND REPLACEMENT REMEDIES DESCRIBED HEREIN IS A CONDITION OF THE CONTRACT FOR THE PURCHASE OF EVERY MILWAUKEE PRODUCT. IF YOU DO NOT AGREE TO THIS CONDITION, YOU SHOULD NOT PURCHASE THE PRODUCT. IN NO EVENT SHALL MILWAUKEE BE LIABLE FOR ANY INCIDENTAL, SPECIAL, CONSEQUENTIAL, OR PUNITIVE DAMAGES, OR FOR ANY COSTS, ATTORNEY FEES, EXPENSES, LOSSES OR DELAYS ALLEGED TO BE AS A CONSEQUENCE OF ANY DAMAGE TO, FAILURE OF, OR DEFECT IN ANY PRODUCT INCLUDING, BUT NOT LIMITED TO, ANY CLAIMS FOR LOSS OF PROFITS. SOME STATES DO NOT ALLOW THE EXCLUSION OR LIMITATION OF INCIDENTAL OR CONSEQUENTIAL DAMAGES, SO THE ABOVE LIMITATION OR EXCLUSION MAY NOT APPLY TO YOU. THIS WARRANTY IS EXCLUSIVE AND IN LIEU OF ALL OTHER EXPRESS WARRANTIES, WRITTEN OR ORAL, TO THE EXTENT PERMITTED BY LAW, MILWAUKEE DISCLAIMS ANY IMPLIED WARRANTIES, INCLUDING WITHOUT LIMITATION ANY IMPLIED WARRANTY OF MERCHANTABILITY OR FITNESS FOR A PARTICULAR USE OR PURPOSE; TO THE EXTENT SUCH DISCLAIMER IS NOT PERMITTED BY LAW, SUCH IMPLIED WARRANTIES ARE LIMITED TO THE DURATION OF THE APPLICABLE EXPRESS WARRANTY AS DESCRIBED ABOVE. SOME STATES DO NOT ALLOW LIMITATIONS ON HOW LONG AN IMPLIED WARRANTY LASTS. SO THE ABOVE LIMITATION MAY NOT APPLY TO YOU. THIS WARRANTY GIVES YOU SPECIFIC LEGAL RIGHTS, AND YOU MAY ALSO HAVE OTHER RIGHTS WHICH VARY FROM STATE TO STATE.

This warranty applies to product sold in the U.S.A. and Canada only. Please consult the 'Service Center Search' in the Parts & Service section of MILWAUKEE's website www.milwaukeetool.com or call 1.800.SAWDUST (1.800.729.3878) to locate your nearest service facility for warranty and non-warranty service on a MILWAUKEE power tool.

RÈGLES DE SÉCURITÉ GÉNÉRALES RELATIVES AUX OUTILS ÉLECTRIQUES

⚠️ AVERTISSEMENT Lire toutes les consignes de sécurité, consignes, illustrations et spécifications fournies avec cet outil électrique. Ne pas suivre l'ensemble des règles et instructions peut entraîner une électrocution, un incendie ou des blessures graves. **Conserver les règles et les instructions à des fins de référence ultérieure.** Le terme «outil électrique» figurant dans les avertissements ci-dessous renvoie à l'outil électrique à alimentation par le réseau (à cordon) ou par batterie (sans fil).

SÉCURITÉ DU LIEU DE TRAVAIL

- **Veillez à ce que l'aire de travail soit propre et bien éclairée.** Le désordre et le manque de lumière favorisent les accidents.
- **Ne pas utiliser d'outils électriques dans des atmosphères explosives, par exemple en présence de liquides, gaz ou poussières inflammables.** Les outils électriques produisent des étincelles risquant d'enflammer les poussières ou vapeurs.
- **S'assurer que les enfants et les curieux se trouvent à une bonne distance au moment d'utiliser un outil électrique.** Les distractions peuvent causer une perte de contrôle.

SÉCURITÉ ÉLECTRIQUE

- **Les fiches des outils électriques doivent correspondre à la prise secteur utilisée. Ne jamais modifier la fiche, de quelque façon que ce soit. Ne jamais utiliser d'adaptateurs de fiche avec des outils mis à la terre.** Les fiches et prises non modifiées réduisent le risque de choc électrique.
- **Éviter tout contact avec des surfaces mises à la terre comme des tuyaux, des radiateurs, des cuisinières et des réfrigérateurs.** Le risque de choc électrique est accru lorsque le corps est mis à la terre.
- **Ne pas exposer les outils électriques à l'eau ou l'humidité.** La pénétration d'eau dans ces outils accroît le risque de choc électrique.
- **Ne pas maltraiter le cordon d'alimentation. Ne jamais utiliser le cordon d'alimentation pour transporter l'outil électrique et ne jamais débrancher ce dernier en tirant sur le cordon. Garder le cordon à l'écart de la chaleur, de l'huile, des objets tranchants et des pièces en mouvement.** Un cordon endommagé ou emmêlé accroît le risque de choc électrique.
- **Pour les travaux à l'extérieur, utiliser un cordon spécialement conçu à cet effet.** Utiliser un cordon conçu pour l'usage extérieur réduit les risques de choc électrique.
- **Si l'utilisation d'un outil électrique est inévitable dans un endroit humide, utiliser une source d'alimentation munie d'un disjoncteur de fuite de terre.** L'utilisation d'un disjoncteur de fuite de terre réduit le risque de choc électrique.

SÉCURITÉ INDIVIDUELLE

- **Rester attentif, prêter attention au travail et faire preuve de bon sens lors de l'utilisation de tout outil électrique. Ne pas utiliser cet appareil en cas de fatigue ou sous l'influence de l'alcool, de drogues ou de médicaments.** Un moment d'inattention pendant l'utilisation d'un outil électrique peut entraîner des blessures graves.

- **Porter l'équipement de protection individuel requis. Toujours porter une protection oculaire.** Selon les conditions, porter aussi un masque anti-poussières, des bottes de sécurité antidérapantes, un casque protecteur ou une protection auditive afin de réduire les blessures.
- **Empêcher les démarrages accidentels. S'assurer que la gâchette est en position d'arrêt avant de brancher l'outil à une source de courant, d'insérer la batterie, de le ramasser ou de le transporter.** Le fait de transporter un outil électrique en gardant le doigt sur la gâchette ou de mettre sous tension un outil électrique lorsque la gâchette est en position de marche favorise les accidents.
- **Retirer les clés de réglage avant de mettre l'outil en marche.** Une clé laissée sur une pièce rotative de l'outil peut causer des blessures.
- **Ne pas travailler hors de portée. Toujours se tenir bien campé et en équilibre.** Une bonne stabilité procure un meilleur contrôle de l'outil électrique en cas d'imprévu.
- **Porter une tenue appropriée. Ne porter ni vêtements amples, ni bijoux. Garder les cheveux et les vêtements à l'écart des pièces en mouvement.** Les vêtements flottants, les bijoux ou les cheveux longs risquent d'être happés par les pièces en mouvement.
- **Si les outils sont équipés de dispositifs de dépoussiérage, s'assurer qu'ils sont connectés et correctement utilisés.** L'utilisation d'un collecteur de poussière permet de réduire les dangers liés à la poussière.
- **Ne pas laisser la familiarité avec l'outil acquise par une utilisation fréquente vous rendre suffisant et vous amener à ignorer les règles de sécurité.** Une utilisation négligée peut causer une blessure grave en une fraction de seconde.

UTILISATION ET ENTRETIEN DE L'OUTIL ÉLECTRIQUE

- **Ne pas forcer l'outil électrique. Utiliser l'outil électrique approprié pour l'application.** Un outil électrique approprié exécutera le travail mieux et de façon moins dangereuse s'il est utilisé dans les limites prévues.
- **Ne pas utiliser l'outil électrique si le commutateur ne permet pas de le mettre en marche ou de l'arrêter.** Tout outil électrique qui ne peut pas être contrôlé par son commutateur est dangereux et doit être réparé.
- **Débrancher l'outil et/ou retirer le bloc-piles, si possible, avant d'effectuer des réglages, de changer d'accessoire ou de remiser l'outil.** Ces mesures de sécurité préventives réduisent les risques de démarrage accidentel de l'outil.
- **Entreposer l'outil électrique hors de la portée des enfants et interdire à quiconque de l'utiliser si la personne ne connaît pas bien le produit ou les instructions.** Les outils électriques sont dangereux dans les mains d'utilisateurs novices.
- **Entretenir les outils électriques et les accessoires. Vérifier qu'aucune pièce mobile n'est mal alignée ou bloquée, qu'aucune pièce n'est brisée et s'assurer qu'aucun autre problème risque d'affecter le bon fonctionnement de l'outil. En cas de dommages, faire réparer l'outil avant de l'utiliser.** Plusieurs accidents sont causés par des produits mal entretenus.
- **Garder les outils bien affûtés et propres.** Des outils correctement entretenus et dont les tranchants sont bien affûtés risquent moins de se bloquer et sont plus faciles à contrôler.
- **Utiliser l'outil électrique, les accessoires, les embouts etc. conformément à ces instructions en tenant compte des conditions de travail et de la tâche à effectuer.** L'usage d'un outil électrique pour des applications pour lesquelles il n'est pas conçu peut être dangereux.
- **Garder les poignées et les surfaces de préhension sèches, propres et exemptes d'huile ou de graisse.** Des poignées et des surfaces de préhension glissantes ne permettent pas de manipuler et de contrôler l'outil en toute sécurité en cas de situation imprévue.

UTILISATION ET ENTRETIEN DE LA BATTERIE

- **Pour recharger le bloc-piles, utiliser seulement le chargeur spécifié par le fabricant.** Un chargeur pouvant convenir à un type de bloc-piles peut entraîner un risque d'incendie lorsqu'il est utilisé avec un autre type de bloc-piles.
- **N'utiliser l'outil électrique qu'avec une batterie recommandée.** L'utilisation de tout autre bloc-piles peut créer un risque de blessures et d'incendie.
- **Lorsque le bloc-piles n'est pas utilisé, le tenir éloigné des objets en métal tels que les trombones, les pièces de monnaie, les clés, les clous, les vis ou d'autres petits objets métalliques qui pourraient connecter les bornes.** Le court-circuitage des bornes d'une pile peut entraîner des brûlures ou un incendie.
- **Éviter tout contact avec le liquide pouvant être éjecté de la pile en cas de manutention abusive. En cas de contact accidentel, rincer immédiatement les parties atteintes avec de l'eau. Si le liquide entre en contact avec les yeux, consulter un médecin.** Le liquide éjecté des piles peut causer des irritations ou des brûlures.
- **N'utiliser aucun bloc-piles ni aucun outil ayant été endommagé ou modifié.** Des piles endommagées ou modifiées peuvent adopter un comportement imprévisible pouvant causer un incendie, une explosion ou le risque de blessures.
- **Ne pas exposer le bloc-piles ou l'outil aux flammes ou à une température excessive.** Une exposition aux flammes ou à une température supérieure à 130°C (265°F) peut causer une explosion.
- **Suivre toutes les instructions de charge et ne pas charger le bloc-piles ou l'outil en dehors de la plage de température spécifiée.** Une charge incorrecte ou à des températures en dehors de la plage spécifiée peut endommager la pile et augmenter le risque d'incendie.

ENTRETIEN

- **Les réparations de l'outil électrique doivent être confiées à un technicien qualifié, utilisant exclusivement des pièces identiques à celles d'origine.** Le maintien de la sûreté de l'outil électrique sera ainsi assuré.
- **Ne jamais effectuer la réparation d'un bloc-piles endommagé.** La réparation du bloc-piles doit être réalisée par le fabricant ou les fournisseurs de service agréés uniquement.

RÈGLES DE SÉCURITÉ SPÉCIFIQUES POUR AGRAFEUSE CABLES

- **Toujours présumer que l'outil contient des fixations.** Le maniement négligent de l'agrafeuse pourra causer le rebond soudain des fixations ainsi que des blessures physiques.
- **Ne pas diriger l'outil vers vous-même ou vers une personne à proximité.** La pression imprévue causera l'éjection de la fixation, en provoquant des blessures.
- **Ne pas actionner l'outil s'il n'est pas fermement appuyé sur la pièce de travail.** Si l'outil n'est pas en contact avec la pièce, la fixation pourra être déviée de votre cible.
- **Débrancher l'outil de la source d'alimentation lorsque la fixation se coince dans l'outil.** Lors de l'enlèvement d'une fixation coincée, l'outil pourra démarrer accidentellement s'il est toujours relié au courant.
- **Veiller à être prudent lors de l'enlèvement d'une fixation coincée.** Il est probable que le mécanisme soit en état de compression et la fixation s'en sorte puissamment lorsque vous essayez de déboucher l'obstruction.
- **Lors de la fixation des câbles électriques, veuillez s'assurer qu'ils ne sont pas sous tension.** Tenir l'agrafeuse uniquement par les surfaces de prise isolées. Utiliser uniquement des fixations qui ont été conçues pour les installations de câbles électriques. Veuillez constater que la fixation n'a pas endommagé l'isolation des câbles électriques. Une fixation qui cause des dommages à l'isolation des câbles électriques pourra aussi poser un risque de décharge électrique et d'incendie.
- **Utiliser uniquement les fixations qui ont été particulièrement recommandées.** Les fixations que le fabricant de l'outil n'a pas recommandées pour les utiliser avec ce type d'outil pourront poser un risque de blessure physique pour les gens, ou bien un risque de dommages pour l'outil.
- **Avant chaque utilisation, veiller à examiner le contact ainsi que la gâchette pour jouir d'une utilisation adéquate.** Ne pas désarmer ou jumeler des pièces du contact, de la gâchette ou du mécanisme d'entraînement. Ceci pourra causer une activation soudaine, ce qui résultera en des blessures graves.
- **Ne pas utiliser cet outil comme un jouet. Les fixations éjectées seront des projectiles capables de causer des blessures graves.**
- **Ne pas enlever, modifier ou rendre autrement inutilisables les commandes d'utilisation qui comporte l'outil.** Ceci pourra causer une activation soudaine, ce qui résultera en des blessures graves.
- **Ne pas utiliser l'outil si l'une de ses commandes est inutilisable, débranchée, modifiée ou montre un fonctionnement inusuel.** Ceci pourra causer une activation soudaine, ce qui résultera en des blessures graves.

• **Toujours tenir les mains et le corps à l'écart de l'aire de décharge de l'outil. Ne jamais tenter de déboucher un contact obstrué en prenant l'aire de décharge de l'outil à la main. Les pièces éjectées par l'outil pourront causer des blessures graves si elles sont en contact avec les mains ou le corps.**

• **Ne pas entraîner des fixations près du bord de la pièce.** Il est probable que les fixations se glissent sur les coins et les bords, ou bien qu'elles percent des matériaux fins, en devenant des projectiles capables de causer des blessures graves.

• **N'utiliser l'outil que pour l'application pour laquelle il est conçue. Ne pas utiliser l'outil abusivement.** Ne pas utiliser cet outil en tant que marteau. Ne pas l'utiliser pour sceller ou graver des informations sur les pièces. Ne pas frapper ou tarauder l'outil. Ne pas appliquer une pression excessive sur l'outil lorsqu'il est à l'emploi. Ne pas poser l'outil sur des supports. Ne pas tenter de le modifier pour l'utiliser fixement.

• **⚠ AVERTISSEMENT** Afin de minimiser le risque de blessures, lorsque de travaux sont faits dans de situations poussiéreuses, porter une protection respiratoire ou bien, utiliser une solution d'extraction de poussière conforme aux normes OSHA.

• **Toujours faire preuve de bons sens et procéder avec prudence lors de l'utilisation d'outils.** C'est impossible de prévoir toutes les situations dont le résultat est dangereux. Ne pas utiliser cet outil si vous ne comprenez pas ces instructions d'opération ou si vous pensez que le travail dépasse votre capacité ; veuillez contacter Milwaukee Tool ou un professionnel formé pour recevoir plus d'information ou formation.

• **Maintenir en l'état les étiquettes et les plaques d'identification.** Des informations importantes y figurent. Si elles sont illisibles ou manquantes, contacter un centre de services et d'entretien MILWAUKEE pour un remplacement gratuit.

• **⚠ AVERTISSEMENT** Certaines poussières générées par les activités de ponçage, de coupe, de rectification, de perçage et d'autres activités de construction contiennent des substances considérées être la cause de malformations congénitales et de troubles de l'appareil reproducteur. Parmi ces substances figurent :








• le plomb contenu dans les peintures à base de plomb ;

• la silice cristalline des briques, du ciment et d'autres matériaux de maçonnerie, ainsi que

• l'arsenic et le chrome des sciages traités chimiquement.

Les risques encourus par l'opérateur envers ces expositions varient en fonction de la fréquence de ce type de travail. Pour réduire l'exposition à ces substances chimiques, l'opérateur doit travailler dans une zone bien ventilée et porter l'équipement de sécurité approprié, tel qu'un masque anti-poussière spécialement conçu pour filtrer les particules microscopiques.

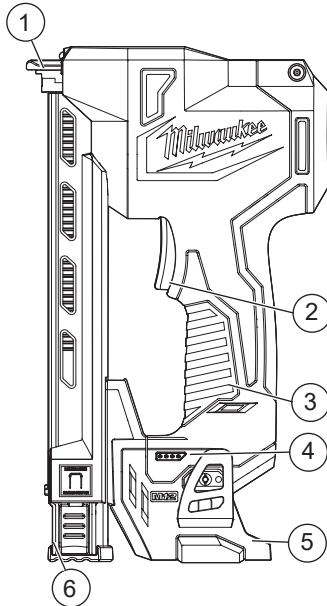
PICTOGRAPHIE

-  Volts
-  Courant direct
-  **AVERTISSEMENT!** Tenir les mains à l'écart
-  **AVERTISSEMENT!** Risque de décharge électrique.
-  Toujours porter une protection oculaire.
-  Lire le manuel d'utilisation
-  UL Listing Mark pour Canada et États-unis

SPÉCIFICATIONS

No de Cat.....	2448-20
Volts.....	12 CD
Type de batterie	M12™
Type de chargeur	M12™
Type d'agrafe	MILWAUKEE 24,5 mm
Température ambiante de fonctionnement recommandée	-18°C à 50°C (0°F à 125°F)

DESCRIPTION FONCTIONNELLE



- 1. Support de contact pour la pièce
- 2. Gâchette
- 3. Poignée
- 4. Indicateur de charge
- 5. Compartiment de piles
- 6. Chargeur

MONTAGE DE L'OUTIL

⚠ AVERTISSEMENT Ne recharger la batterie qu'avec le chargeur spécifié. Pour les instructions de charge spécifiques, lire le manuel d'utilisation fourni avec le chargeur et les batteries.

Insertion/Retrait de la batterie

Pour **retirer** la batterie, enfoncer les boutons de déverrouillage et la tirer hors de l'outil.

⚠ AVERTISSEMENT Toujours verrouiller la détente ou retirer la batterie les fois que l'outil est inutilisé.

Pour **insérer** la batterie, la glisser dans le corps de l'outil. S'assurer qu'elle est fixée solidement.

⚠ AVERTISSEMENT L'emploi d'accessoires autres que ceux qui sont expressément recommandés pour cet outil peut comporter des risques.

Installation / enlèvement des fixations

⚠ AVERTISSEMENT Toujours retirer le bloc-piles avant de changer ou d'enlever les fixations. Afin de minimiser le risque de blessures, toujours porter la protection oculaire appropriée certifiée conforme à la norme ANSI Z87.1.

Pour **installer** les fixations :

1. Retirer le bloc-piles.
2. **AVERTISSEMENT !** Toujours diriger l'outil dans la direction opposée où vous et les autres vous trouvez lors de l'installation des fixations. Ne pas procéder de la sorte peut entraîner des blessures.
3. Pincer le loquet du chargeur et tirer sur le chargeur pour le faire sortir tout jusqu'à ce qu'il s'encliquette en place.
4. Insérer les fixations dans le canal du chargeur. Les pattes des fixations devront s'orienter vers l'extérieur, loin du corps de l'outil. **AVERTISSEMENT !** Utiliser uniquement des agrafes pour câbles de 25,4 mm (1") MILWAUKEE. D'autres types de fixations pourront causer que l'outil tombe en panne, ce qui entraînera des blessures.
5. Pousser sur le chargeur jusqu'à ce qu'il soit fermé à pression.

Pour **enlever** les fixations :

1. Retirer le bloc-piles.
2. **AVERTISSEMENT !** Toujours diriger l'outil dans la direction opposée où vous et les autres vous trouvez lors de l'installation des fixations. Ne pas procéder de la sorte peut entraîner des blessures.
3. Pincer le loquet du chargeur et tirer sur le chargeur pour le faire sortir tout jusqu'à ce qu'il s'encliquette en place.
4. Retirer les fixations.

AVERTISSEMENT Afin de minimiser le risque de blessures, toujours porter des lunettes de sécurité ou des lunettes munies d'écrans latéraux. L'utilisateur et les autres personnes dans l'aire de travail devront porter une protection oculaire qui est conforme à la norme ANSI Z87.1. Les protections oculaires ne s'ajustent pas de la même façon sur toutes les personnes. Veiller à ce que le dispositif oculaire comporte d'écrans latéraux pour vous protéger contre les débris projetés qui viennent du front et des côtés. L'employeur sera responsable d'exiger le port d'une protection oculaire par l'utilisateur et d'autres personnes se trouvant dans l'espace de travail. Si nécessaire, il faudra porter une protection de tête d'après les consignes de la norme ANSI Z89.1.

Afin de minimiser le risque de blessures pour vous-même et les autres, tester l'outil avant de commencer à travailler chaque jour d'après les consignes qui se trouvent dans la section « Testage quotidien obligatoire ».

Retirer le bloc-piles et les fixations avant de quitter l'espace de travail, de transporter l'outil à un autre endroit ou de le passer à une autre personne. Le non-respect de cette consigne pourra entraîner des blessures graves.

Lors de la fixation des câbles électriques, veuillez s'assurer qu'ils ne sont pas sous tension. Tenir l'agrafeuse uniquement par les surfaces de prise isolées. Utiliser uniquement des fixations qui ont été conçues pour les installations de câbles électriques. Veuillez constater que la fixation n'a pas endommagé l'isolation des câbles électriques. Une fixation qui cause des dommages à l'isolation des câbles électriques pourra aussi poser un risque de décharge électrique et d'incendie.

Ne JAMAIS caler ou bloquer le mécanisme de sûreté de déclenchement par contact pendant que l'outil est en fonctionnement. Ne jamais tenter de déboucher un contact obstrué en prenant l'aire de décharge de l'outil à la main. Cela pourrait entraîner des blessures graves.

Afin d'éviter de blessures graves, ne pas essayer d'éviter le recul en tenant l'outil trop fermement contre la pièce. Tenir le visage et le corps à l'écart de l'outil. Durant l'utilisation normale, l'outil reculera immédiatement une fois entraînée la fixation. Ce recul est normal. Tenir la poignée fermement, laisser l'outil exécuter le travail et ne jamais placer l'autre main au-dessus de l'outil.

Veillez prendre conscience de ce qu'il y a derrière la pièce. Une fixation pourra percer la pièce et frapper quelqu'un, en lui causant des blessures graves.

Fonctionnement du déclenchement

1. Insérer le bloc-piles.
2. Aligner les fixations sur la pièce à travailler. Pousser le support de contact contre la pièce et appuyer sur la gâchette fermement. Relâcher la gâchette.
3. Pour contrôler la profondeur de déclenchement :
 - Lors de l'installation des fixations sur du bois de haute technologie, tel que le bois en placage stratifié, veuillez appliquer une force supplémentaire vers la pièce pour mettre l'agrafe bien au fond.
 - Lors de l'installation sur des câbles de basse tension, tels que le CAT3, CAT5 ou COAX, appliquer moins de force sur la pièce pour mettre l'agrafe bien au fond.

Indicateur de recharge

Ce qui indiquera que le chargeur n'a plus de fixations, c'est que le contact de la pièce ne comprimera pas, ce qui empêchera le fonctionnement normal sous la pression standard. Charger plus de fixations pour reprendre votre travail.

Déblocage d'une agrafe

La plupart des coincements sont causés par une fixation ou une pièce d'elle qui se cale entre la lame d'entraînement et le guide de l'agrafeuse. Les bandes de fixations ayant un calibre incorrect pourront causer des coincements constants. Pour corriger le coincement :

1. Retirer le bloc-piles.
2. **AVERTISSEMENT !** Toujours diriger l'outil loin de vous et des autres lors de l'installation ou de l'enlèvement des fixations. Ne pas procéder de la sorte peut entraîner des blessures.
3. Retirer la bande d'agrafes du chargeur.
4. Tirer sur le loquet du chargeur vers le bas et ensuite, tirer sur le chargeur pour le sortir de l'outil.
5. Enlever la fixation et d'autres débris (utiliser une pince à bec fin si nécessaire).
6. Suivre les étapes indiquées dans la section « Testage quotidien obligatoire » avant de reprendre le travail.

Indicateur de charge de la batterie

Pour déterminer l'autonomie de la batterie, allumez l'outil. La jauge de carburant s'allume pendant 2-3 secondes. Lorsque moins de 10% de la charge est laissée, une lumière sur la jauge de carburant clignotera 4 fois.

Pour signaler la fin de la charge, une lumière sur la jauge de carburant clignotera 8 fois et l'outil ne s'exécutera pas. Chargez le bloc-piles.

Si la batterie devient trop chaude, les voyants de jauge de carburant clignoteront et l'outil ne s'exécutera pas. Laissez la batterie refroidir.

TESTAGE QUOTIDIEN OBLIGATOIRE

Afin de minimiser le risque de blessures sur vous-même et les autres, tester l'outil avant de commencer à travailler chaque jour, ou bien si l'outil est tombé, a subi un choc violent, a été écrasé, etc. Veuillez suivre toutes les étapes qui figurent dans la liste de vérification **DANS L'ORDRE PROPOSÉ**. Si l'outil ne marche pas comme il faut, veuillez contacter un centre de service MILWAUKEE immédiatement. Toujours diriger l'outil dans la direction opposée où vous et les autres vous trouvez.

1. Retirer le bloc-piles.
2. **AVERTISSEMENT !** Toujours diriger l'outil dans la direction opposée où vous et les autres vous trouvez lors de l'installation des fixations. Ne pas procéder de la sorte peut entraîner des blessures.
3. Examiner les vis, les boulons, les écrous et les épingles sur l'outil. Toute fixation lâche doit être serrée.
4. Pincer le loquet du chargeur et tirer sur le chargeur pour le sortir de l'outil. Pousser le contact contre la pièce. Il doit se déplacer doucement.
5. En tenant le contact poussé contre la pièce, appuyer sur la gâchette. Il doit se déplacer doucement.
6. Insérer le bloc-piles.
7. Veuillez s'assurer que le magasin s'en sort toujours. En tenant le contact loin de la pièce, appuyer, sans relâcher, sur la gâchette durant 5 secondes. L'outil ne doit pas se mettre en marche. Relâcher la gâchette.
8. Si tous les tests précédents se passent bien, préparer l'outil pour commencer à travailler. Sélectionner le type d'opération et charger les bandes de fixations.
9. Si tous les tests se passent bien, l'outil sera prêt à l'emploi. Répéter ces tests avant d'utiliser l'outil chaque jour, ou bien si l'outil est tombé, a subi un choc violent, a été écrasé ou coincé, etc.

ENTRETIEN

⚠ AVERTISSEMENT Pour minimiser les risques de blessures corporelles, **débranchez le chargeur et retirez la batterie du chargeur ou de l'outil avant d'y effectuer des travaux d'entretien. Ne démontez jamais l'outil, la batterie ou le chargeur. Pour toute réparation, consultez un centre de service MILWAUKEE accrédité.**

Entretien de l'outil

Gardez l'outil en bon état en adoptant un programme d'entretien ponctuel. Inspectez votre outil pour des questions telles que le bruit excessif, de grippage des pièces mobiles, de pièces cassées ou toute autre condition qui peut affecter le fonctionnement de l'outil. Retournez votre outil à un centre de service MILWAUKEE accrédité pour obtenir le service. Après une période pouvant aller de 6 mois à un an, selon l'usage, retournez votre outil à un centre de service MILWAUKEE accrédité pour d'inspection.

Si l'outil ne démarre pas ou ne fonctionne pas à pleine puissance alors qu'il est branché sur une batterie complètement chargée, nettoyez les points de contact entre la batterie et l'outil. Si l'outil ne fonctionne toujours pas correctement, renvoyez l'outil, le chargeur et la batterie à un centre de service MILWAUKEE accrédité.

⚠ AVERTISSEMENT Pour minimiser les risques de blessures ou de dommages à l'outil, **n'immergez jamais l'outil, la batterie ou le chargeur et ne laissez pas de liquide s'y infiltrer.**

Nettoyage

Débarrassez les tous événements des débris et de la poussière. Gardez les outil propres, à sec et exemptes d'huile ou de graisse. Le nettoyage doit se faire avec un linge humide et un savon doux. Certains nettoyeurs tels l'essence, la térébenthine, les diluants à laque ou à peinture, les solvants chlorés, l'ammoniaque et les détergents d'usage domestique qui en contiennent pourraient détériorer le plastique et l'isolation des pièces. Ne laissez jamais de solvants inflammables ou combustibles auprès des outils.

Réparations

Pour les réparations, retournez outil, batterie et chargeur en entier au centre-service autorisé le plus près.

ACCESSOIRES

⚠ AVERTISSEMENT L'utilisation d'autres accessoires que ceux qui sont spécifiquement recommandés pour cet outil peut comporter des risques.

Pour une liste complète des accessoires, visiter le site internet www.milwaukeetool.com ou contactez un distributeur.

SERVICE - CANADA

Milwaukee Tool (Canada) Ltd
1.877.948.2360

Monday-Friday, 7:00 AM - 4:30 PM CST
www.milwaukeetool.ca

GARANTIE LIMITÉE - AUX ÉTATS-UNIS ET AU CANADA

Cet outil électrique MILWAUKEE® est garanti à l'acheteur d'origine uniquement par un distributeur agréé de MILWAUKEE d'être exempt de vice du matériau et de fabrication. Sous réserve de certaines exceptions, MILWAUKEE réparera ou remplacera toute pièce de cet outil électrique qui, après examen par MILWAUKEE, est affectée d'un vice de matériau ou de fabrication pendant une période de cinq (5) ans après la date d'achat, sauf indication contraire. Il faudra retourner l'outil électrique à un centre de service en usine MILWAUKEE ou à un poste d'entretien agréé MILWAUKEE, en port préparé et assuré. Une copie de la preuve d'achat doit être présentée lors du retour du produit. Cette garantie ne couvre pas les dommages que MILWAUKEE détermine d'être causés par des réparations ou des tentatives de réparation par quiconque d'autre que le personnel agréé par MILWAUKEE, des utilisations incorrectes, des altérations, des utilisations abusives, une usure normale, une carence d'entretien ou les accidents. Usure normale : Par rapport à plusieurs outils électriques, il faut remplacer et entretenir leurs pièces afin de jouir de leur rendement optimal. Cette garantie ne couvre pas les cas de réparation lorsque la vie utile normale de la pièce s'est terminée, incluant, sans s'y limiter, les mandrins, les balais, les câbles, les patins de scie, les brides de lame, les joints toriques, les embouts, les buttoirs, les lames d'entraînement, les pistons, les perceurs, les poussoirs et les rondelles de protection de butoir.

* Cette garantie ne couvre ni les blocs-piles ni tous les outils électriques. Veuillez vous reporter aux autres garanties différentes disponibles pour ces produits.

La période durant laquelle la garantie est valable pour la lumière à DEL de la lampe de travail à DEL (49-24-0171) et l'ampoule transformée à DEL (49-81-0090) est d'une durée égale à la vie utile du produit en raison des limites au-dessus. Si la lumière à DEL ou l'ampoule transformée à DEL tombent en panne durant l'utilisation normale, la pièce sera remplacée gratuitement.

L'inscription de la garantie n'est pas nécessaire pour bénéficier de la garantie en vigueur d'un outil électrique MILWAUKEE. La date de fabrication du produit servira à établir la période de garantie si aucune preuve d'achat n'est fournie lorsqu'une demande de service sous garantie est faite.

L'ACCEPTATION DES RECOURS EXCLUSIFS DE RÉPARATION ET DE REMPLACEMENT DÉCRITS PAR LA PRÉSENTE EST UNE CONDITION DU CONTRAT D'ACHAT DE TOUT PRODUIT MILWAUKEE. SI VOUS N'ACCEPTÉZ PAS CETTE CONDITION, VOUS NE DEVEZ PAS ACHETER LE PRODUIT. EN AUCUN CAS MILWAUKEE NE SAURAIT ÊTRE RESPONSABLE DE TOUT DOMMAGE ACCESSOIRE, SPECIAL OU INDIRECT, DE DOMMAGES-INTÉRÊTS PUNITIFS OU DE TOUTE DÉPENSE, D'HONORAIRES D'AVOCATS, DE FRAIS, DE PERTE OU DE DÉLAIS ACCESSOIRES À TOUT DOMMAGE, DÉFAILLANCE OU DÉFAUT DE TOUT PRODUIT, Y COMPRIS NOTAMMENT LES PERTES DE PROFIT, CERTAINS ÉTATS ET PROVINCES NE PERMETTANT L'EXCLUSION OU LA LIMITATION DES DOMMAGES DIRECTS OU INDIRECTS, LES RESTRICTIONS CI-DESSOUS PEUVENT NE PAS ÊTRE APPLICABLES. CETTE GARANTIE EST EXCLUSIVE ET REMPLACE TOUTE AUTRE GARANTIE EXPRESSE, QU'ELLE SOIT VERBALE OU ÉCRITE, DANS LA MESURE PERMISE PAR LA LOI. MILWAUKEE RENONCE À TOUTE GARANTIE IMPLICITE, Y COMPRIS, SANS S'Y LIMITER, TOUTE GARANTIE IMPLICITE DE COMMERCIALISABILITÉ OU D'ADAPTATION À UNE UTILISATION OU À UNE FIN PARTICULIÈRE, DANS LA MESURE OU UNE TELLE STIPULATION D'EXONÉRATION N'EST PAS PERMISE PAR LA LOI. LA DURÉE DE CES GARANTIES IMPLICITES EST LIMITÉE À LA PÉRIODE APPLICABLE DE LA GARANTIE EXPRESSE, TELLE QUE CELA EST DÉCRIT PRÉCÉDEMMENT. CERTAINES PROVINCES NE PERMETTANT PAS DE LIMITATION DE DURÉE DES GARANTIES IMPLICITES, LES RESTRICTIONS CI-DESSOUS PEUVENT NE PAS ÊTRE APPLICABLES. LA PRÉSENTE CONFÈRE À L'UTILISATEUR DES DROITS LÉGAUX PARTICULIERS : IL BÉNÉFICIE ÉGALEMENT D'AUTRES DROITS QUI VARIENT D'UNE PROVINCE À L'AUTRE. Cette garantie s'applique uniquement aux produits vendus aux États-Unis et au Canada.

Veuillez consulter l'onglet « Trouver un centre Service », dans la section « Pièces et service » du site web de MILWAUKEE, à l'adresse www.milwaukeetool.com, ou composer le 1.800.SAWDUCHT (1.800.729.3878) afin de trouver le centre de service le plus proche dans votre région pour l'entretien, sous garantie ou non, de votre outil électrique MILWAUKEE.

ADVERTENCIAS DE SEGURIDAD GENERALES PARA LA HERRAMIENTA ELÉCTRICA

⚠️ ADVERTENCIA Lea todas las advertencias de seguridad, instrucciones, ilustraciones y especificaciones con esta herramienta eléctrica. Si no sigue todas las advertencias e instrucciones, se pueden provocar una descarga eléctrica, un incendio o lesiones graves. **Guarde todas las advertencias e instrucciones para consultarlas en el futuro.** El término "herramienta eléctrica" en todas las advertencias incluidas más abajo se refiere a su herramienta operada por conexión (cable) a la red eléctrica o por medio de una batería (inalámbrica).

SEGURIDAD EN EL ÁREA DE TRABAJO

- **Mantenga el área de trabajo limpia y bien iluminada.** Las áreas desordenadas u oscuras son propicias para los accidentes.
- **No utilice herramientas eléctricas en atmósferas explosivas, tales como en presencia de líquidos, gases o polvos inflamables.** Las herramientas eléctricas generan chispas que pueden encender el polvo o los vapores.
- **Mantenga a los niños y a los espectadores alejados mientras utiliza una herramienta eléctrica.** Las distracciones pueden ocasionar la pérdida de control.

SEGURIDAD ELÉCTRICA

- **Los enchufes de la herramienta eléctrica deben coincidir con el tomacorriente. Nunca modifique el enchufe de ninguna manera. No utilice adaptadores de enchufe con herramientas eléctricas aterrizadas.** Los enchufes y tomacorrientes correspondientes sin modificar reducirán el riesgo de descarga eléctrica.
- **Evite el contacto corporal con superficies aterrizadas, tales como tuberías, radiadores, estufas y refrigeradores.** Existe un riesgo mayor de descarga eléctrica si su cuerpo está aterrizado.
- **No exponga las herramientas eléctricas a la lluvia ni a condiciones húmedas.** Si se introduce agua en una herramienta eléctrica, aumentará el riesgo de descarga eléctrica.
- **No maltrate el cable. Nunca utilice el cable para cargar, jalar o desconectar la herramienta eléctrica. Mantenga el cable alejado del calor, el aceite, los bordes afilados o las partes en movimiento.** Los cables dañados o enredados aumentan el riesgo de descarga eléctrica.
- **Al utilizar una herramienta eléctrica en exteriores, utilice una extensión adecuada para uso en exteriores.** El uso de una extensión adecuada para el uso en exteriores disminuye el riesgo de descarga eléctrica.
- **Si es inevitable utilizar una herramienta eléctrica en un lugar húmedo, utilice un alimentador de corriente protegido con un interruptor de circuito por falla de conexión a tierra (GFCI).** El uso de un GFCI reduce el riesgo de descarga eléctrica.

SEGURIDAD PERSONAL

- **Manténgase alerta, atento a lo que está haciendo y utilice el sentido común al utilizar una herramienta eléctrica.** No utilice una herramienta eléctrica mientras está cansado o bajo la influencia de drogas, alcohol o medicamentos. Un momento de distracción al utilizar herramientas eléctricas puede ocasionar lesiones personales graves.
- **Utilice equipo de protección personal. Siempre use protección para los ojos.** El equipo de protección, tal como una máscara contra polvo, calzado antideslizante, casco o protección auditiva, utilizado para condiciones adecuadas disminuirá las lesiones personales.
- **Evite el arranque accidental. Asegúrese de que el interruptor esté en la posición de apagado antes de conectarlo a una fuente de poder y/o batería, levantar o trasladar la herramienta.** Trasladar herramientas con el dedo en el interruptor o energizar herramientas eléctricas que tienen el interruptor encendido propicia accidentes.
- **Retire cualquier llave de ajuste antes de entender la herramienta.** Una llave que se deje insertada en una parte giratoria de la herramienta eléctrica puede ocasionar lesiones personales.
- **No estire el cuerpo demasiado. Mantenga un buen contacto entre los pies y el suelo y mantenga el equilibrio en todo momento.** Esto permite un mejor control de la herramienta eléctrica en situaciones inesperadas.
- **Vístase adecuadamente. No utilice ropa o joyería holgada. Mantenga el cabello y la ropa alejados de las partes móviles.** La ropa holgada, las alhajas o el cabello largo pueden quedarse atrapados en las partes móviles.
- **Si se proporcionan dispositivos para la conexión de instalaciones de extracción y recolección de polvo, cerciórese de que estén conectados y se utilicen correctamente.** El uso de dispositivos recolectores de polvo puede disminuir los riesgos relacionados con el polvo.
- **No permita que la familiaridad por el uso frecuente de las herramientas lo hagan sentirse seguro e ignorar los principios de seguridad de las herramientas.** Un descuido puede provocar lesiones graves en una fracción de segundo.

USO Y CUIDADO DE LAS HERRAMIENTAS ELÉCTRICAS

- **No fuerce la herramienta eléctrica. Utilice la herramienta eléctrica correcta para su aplicación.** La herramienta eléctrica correcta realizará el trabajo mejor y con mayor seguridad a la velocidad para la que fue diseñada.
- **No utilice la herramienta eléctrica si el interruptor no la enciende y la apaga.** Cualquier herramienta eléctrica que no pueda controlarse con el interruptor es peligrosa y debe repararse.
- **Desconecte el enchufe de la fuente de energía y/o quite la batería de la herramienta eléctrica, si es posible, antes de realizar cualquier ajuste, cambiar accesorios o almacenar las herramientas eléctricas.** Tales medidas preventivas de seguridad disminuyen el riesgo de que la herramienta eléctrica se encienda accidentalmente.

- **Almacene las herramientas eléctricas que no se estén utilizando fuera del alcance de los niños y no permita que personas que no estén familiarizadas con la herramienta eléctrica o con estas instrucciones la utilicen.** Las herramientas eléctricas son peligrosas en manos de usuarios sin capacitación.
- **Dé mantenimiento a las herramientas eléctricas y accesorios.** Verifique que no haya desalineación, amarre de partes móviles, partes rotas o alguna otra condición que pueda afectar el funcionamiento de la herramienta eléctrica. Si se daña, asegúrese de que la herramienta eléctrica sea reparada antes de que se utilice. Muchos accidentes son ocasionados por herramientas eléctricas con mantenimiento deficiente.
- **Mantenga las herramientas de corte afiladas y limpias.** Las herramientas de corte correctamente mantenidas con bordes de corte afilados son menos propensas a atorarse y son más fáciles de controlar.
- **Utilice la herramienta eléctrica, los accesorios y las puntas, etc. de acuerdo con estas instrucciones, tomando en cuenta las condiciones de trabajo y el trabajo a realizar.** El uso de la herramienta eléctrica para operaciones diferentes a las previstas podría generar una situación peligrosa.
- **Mantenga las empuñaduras y ñas superficies de sujeción secas, limpias y libres de aceite y grasa.** Las empuñaduras y superficies de sujeción resbalosas no permiten el manejo y control seguros de la herramienta en situaciones inesperadas.

USO Y CUIDADO DE LAS HERRAMIENTAS CON BATERÍA

- **Recargue únicamente con el cargador especificado por el fabricante.** Un cargador que es adecuado para un tipo de batería puede crear un riesgo de incendio si se utiliza con otra batería.
- **Utilice las herramientas eléctricas únicamente con baterías específicamente diseñadas.** El uso de cualquier otra batería puede producir un riesgo de lesiones e incendio.
- **Cuando la batería no esté en uso, manténgala alejada de otros objetos metálicos como sujetapapeles, monedas, llaves, clavos, tornillos u otros objetos metálicos pequeños que puedan formar una conexión de una terminal a otra.** Crear un corto entre las terminales de la batería puede ocasionar quemaduras o un incendio.
- **Bajo condiciones de maltrato, el líquido puede ser expulsado de la batería, evite el contacto.** En caso de contacto accidental, lave con agua. Si el líquido entra en contacto con los ojos, busque además ayuda médica. El líquido expulsado de la batería puede causar irritación o quemaduras.
- **No use una batería o herramienta que se haya dañado o modificado.** Las baterías dañadas o modificadas pueden mostrar un comportamiento impredecible, causando incendios, explosión o riesgo de lesión.
- **No exponga una batería o herramienta al fuego o a temperatura excesiva.** La exposición a fuego o temperatura a más de 130° C (265° F) puede causar explosiones.
- **Siga todas las instrucciones de carga y no cargue la batería o la herramienta fuera del rango de temperatura especificado en las instrucciones.** La carga incorrecta o a temperaturas fuera del rango especificado puede dañar la batería y aumentar el riesgo de incendio.

MANTENIMIENTO

- Lleve su herramienta eléctrica a servicio con un técnico calificado que use únicamente piezas de reemplazo idénticas. Esto asegurará que la seguridad de la herramienta eléctrica se mantenga.
- Nunca dé servicio a baterías dañadas. Únicamente el fabricante o proveedores de servicio autorizados deben dar servicio a las baterías.

REGLAS ESPECÍFICAS DE SEGURIDAD PARA ENGRAPADORA CABLES

- Siempre piense que la herramienta está cargada de sujetadores. El manejo poco cuidadoso de la engrapadora podrá ocasionar que se disparen sujetadores inesperadamente y se ocasionen lesiones físicas.
- No apunte la herramienta hacia sí mismo ni ninguna otra persona cerca de usted. La activación súbita descargará el sujetador, lo que ocasionará una lesión.
- No active la herramienta a menos que esté puesta contra la pieza. Si la herramienta no está en contacto con la pieza, el sujetador podrá desviarse de su objetivo.
- Desconecte la herramienta de la fuente de alimentación cuando el sujetador se atasque en la herramienta. Al retirar un sujetador atascado, la herramienta puede activarse accidentalmente si está conectada.
- Tenga cuidado al quitar un sujetador atascado. El mecanismo podría estar en estado de comprensión y el sujetador podría salir propulsado cuando intente desatascarlo.
- Cuando se fijen cables eléctricos, asegúrese de que los cables no estén energizados. Sostenga la clavadora únicamente por las superficies de agarre aisladas. Utilice únicamente sujetadores que estén diseñados para instalaciones de cables eléctricos. Revise que el sujetador no dañe el aislamiento de los cables eléctricos. Un sujetador que dañe el aislamiento de los cables eléctricos puede ocasionar riesgos de descarga eléctrica e incendio.
- Utilice únicamente sujetadores específicamente recomendados. Los sujetadores no identificados por el fabricante para usarse con esta herramienta pueden representar un riesgo de lesiones para las personas y de daños a la herramienta.
- Antes de cada uso, revise el contacto y el gatillo para confirmar que funcionan correctamente. No desarme ni una pieza del contacto, el gatillo o el mecanismo de accionamiento. Esto provocará que la herramienta se active de manera inesperada, lo que ocasionará lesiones graves.
- Esta herramienta no debe usarse como juguete. Los sujetadores descargados son proyectiles capaces de causar lesiones graves.
- No quite, modifique ni cambie los controles de la herramienta para que queden inutilizables. Esto provocará que la herramienta se active de manera inesperada, lo que ocasionará lesiones graves.

• No utilice la herramienta si una parte de sus controles de manejo no funciona, está desconectada, modificada o no funciona correctamente. Esto provocará que la herramienta se active de manera inesperada, lo que ocasionará lesiones graves.

• Siempre mantenga las manos y el cuerpo lejos del área de descarga de la herramienta. Nunca intente despejar un contacto atascado sujetando el área de descarga de la herramienta con la mano. Los sujetadores que salgan de la herramienta podrían ocasionar lesiones graves si están en contacto con las manos y el cuerpo.

• No ponga los sujetadores cerca del borde de la pieza. Los sujetadores podrán resbalarse de las esquinas y los bordes o perforar el material delgado, lo que los convierte en proyectiles capaces de ocasionar lesiones graves.

• Utilice la herramienta únicamente tal como está previsto. No maltrate la herramienta. No la utilice como un martillo ni para sellar o gravar información en las piezas. No tire ni golpee la herramienta ni aplique fuerza excesiva en ella mientras la utilice. No ponga la herramienta en soportes ni la modifique para que se use de manera fija.

⚠ ADVERTENCIA Para reducir el riesgo de lesiones, al momento de realizar trabajos en situaciones donde haya presencia de polvo, utilice la protección respiratoria adecuada o utilice una solución de extracción de polvo que cumpla con los requisitos de la OSHA.

• Válgase siempre de su sentido común y sea cuidadoso cuando utilice herramientas. No es posible anticipar todas las situaciones que podrían tener un desenlace peligroso. No utilice esta herramienta si no entiende estas instrucciones de uso o si considera que el trabajo a realizar supera sus capacidades, comuníquese con Milwaukee Tool o con un profesional capacitado para recibir capacitación o información adicional.

• Conserve las etiquetas y las placas nominales. Contienen información importante. Si son ilegibles o no están presentes, comuníquese con un centro de servicio MILWAUKEE para obtener un reemplazo gratuito.

⚠ ADVERTENCIA Algunos polvos generados por el lijado eléctrico, aserrado, pulido, taladrado y otras actividades de construcción contienen químicos identificados como causantes de cáncer, defectos congénitos u otros daños reproductivos. Algunos ejemplos de estos químicos son:

- plomo de pintura basada en plomo
- dióxido de silicio de los ladrillos y el cemento y otros productos de albañilería y
- arsénico y cromo de madera con tratamiento químico. Su riesgo por estas exposiciones varía, dependiendo de la frecuencia con que realice este tipo de trabajo. Para reducir su exposición a estos químicos: trabaje en un área bien ventilada y trabaje con equipo de seguridad aprobado, como mascarillas protectoras contra polvo especialmente diseñadas para filtrar partículas microscópicas.

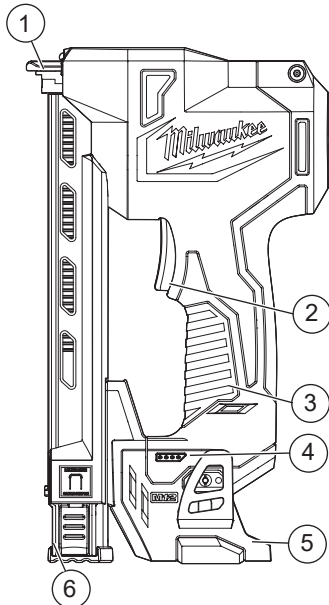
SIMBOLOGÍA

- V** Voltios
- — —** Corriente continua
- ⚡** ¡ADVERTENCIA! Mantenga las manos alejadas
- ⚡** ¡ADVERTENCIA! Riesgo de descarga eléctrica.
- 👁️** Siempre utilice protección para los ojos
- 📖** Leer el manual del operador
- UL** US UL Listing Mark para Canadá y Estados Unidos

ESPECIFICACIONES

Cat. No.	2448-20
Voltios	12 CD
Tipo de batería	M12™
Tipo de cargador	M12™
Tipo de grapas	MILWAUKEE 25,4 mm
Temperatura ambiente recomendada para operar	-18°C a 50°C (0°F a 125°F)

DESCRIPCION FUNCIONAL



1. Soporte de contacto de la pieza de trabajo
2. Gatillo
3. Empuñadura
4. Indicador de carga
5. Compartimiento para baterías
6. Cargador

ENSAMBLAJE

⚠️ ADVERTENCIA Recargue la batería sólo con el cargador especificado para ella. Para instrucciones específicas sobre cómo cargar, lea el manual del operador suministrado con su cargador y la batería.

Como se inserta/quita la batería en la herramienta

Para **retirar** la batería, presione los botones de liberación y jale de la batería para sacarla de la herramienta.

⚠️ ADVERTENCIA Bloquee siempre el gatillo o retire la batería cada vez que la herramienta no esté en uso.

Para **introducir** la batería, deslícela en el cuerpo de la herramienta. Asegúrese de que quede bien firme en su posición.

⚠️ ADVERTENCIA Utilice únicamente accesorios específicamente recomendados para esta herramienta. El uso de accesorios no recomendados podría resultar peligroso.

Instalar/retirar los sujetadores

⚠️ ADVERTENCIA Siempre retire la batería antes de cambiar o retirar los sujetadores. Para disminuir el riesgo de lesiones, siempre utilice protección de ojos adecuada que cumpla con la norma ANSI Z87.1.

Para **instalar** los sujetadores:

1. Quite la batería.
2. **⚠️ ADVERTENCIA!** Siempre apunte la herramienta en dirección opuesta de donde está usted y las demás personas al momento de instalar los sujetadores. No hacerlo puede ocasionar lesiones.
3. Agarre el pestillo del cargador y empuje el cargador hasta el fondo para que se fije en su lugar a presión.
4. Inserte los sujetadores en el canal del cargador. Las patas del sujetador deben apuntar hacia afuera, alejadas del cuerpo de la herramienta. **⚠️ ADVERTENCIA!** Utilice únicamente grapas para cables de 25,4 mm (1") MILWAUKEE. Otros sujetadores pueden resultar en fallas de la herramienta, que causen una lesión.
5. Empuje el cargador hacia atrás hasta que cierre a presión.

Para **quitar** los sujetadores:

1. Quite la batería.
2. **⚠️ ADVERTENCIA!** Siempre apunte la herramienta en dirección opuesta de donde está usted y las demás personas al momento de instalar los sujetadores. No hacerlo puede ocasionar lesiones.
3. Agarre el pestillo del cargador y empuje el cargador hasta el fondo para que se fije en su lugar a presión.
4. Retire los sujetadores

OPERACIÓN

▲ ADVERTENCIA Para reducir el riesgo de lesiones, siempre utilice gafas o lentes de seguridad con protectores laterales. El usuario y las demás personas en el área de trabajo deben llevar una protección de ojos que se ajuste a lo establecido en la norma ANSI Z87.1. La protección de ojos no se ajusta de la misma manera a todas las personas. Asegúrese de que la protección de ojos que elija tenga protectores laterales o brinde protección contra residuos proyectados que vengan del frente y los lados. El empleador tiene la responsabilidad de exigir que el usuario y las demás personas en el área de trabajo lleven puesta una protección de ojos. De ser necesario, lleve protección para cabeza de acuerdo con lo indicado en la norma ANSI Z89.1.

Para reducir el riesgo de lesiones en usted y las demás personas, haga pruebas con la herramienta antes de empezar a trabajar todos los días de acuerdo con las indicaciones que figuran en la sección "Pruebas diarias obligatorias".

Quite la batería y los sujetadores antes de dejar el área de trabajo, transportar la herramienta a otro lugar o pasársela a otra persona. No hacerlo podrá provocar lesiones graves.

Cuando se fijen cables eléctricos, asegúrese de que los cables no estén energizados. Sostenga la clavadora únicamente por las superficies de agarre aisladas. Utilice únicamente sujetadores que estén diseñados para instalaciones de cables eléctricos. Revise que el sujetador no dañe el aislamiento de los cables eléctricos. Un sujetador que dañe el aislamiento de los cables eléctricos puede ocasionar riesgos de descarga eléctrica e incendio.

NUNCA bloquee ni retenga el mecanismo de contacto de la pieza mientras la herramienta está en funcionamiento. Nunca intente despejar una pieza de trabajo atascada sujetando el área de descarga de la herramienta. Hacerlo podrá provocar lesiones graves.

Para evitar lesiones graves, no intente evitar el contragolpe sosteniendo la herramienta con mucha firmeza contra la superficie de trabajo. Mantenga la cara y el cuerpo alejados de la herramienta. Durante el uso normal, la herramienta dará un contragolpe inmediatamente después de impulsar un sujetador. Esta es una función normal de la herramienta. Sujete el mango con firmeza, deje que la herramienta haga su trabajo y no coloque una segunda mano encima de la herramienta.

Siempre tenga en cuenta qué hay detrás de su pieza. Un sujetador podría atravesar la pieza, golpear a alguien y ocasionarle lesiones graves.

Operación de accionamiento

1. Ponga la batería
2. Alinee el sujetador a la pieza de trabajo. Presione el soporte de contacto de la pieza de trabajo a la pieza de trabajo y apriete el gatillo con firmeza. Suelte el gatillo.
3. Para controlar la profundidad del accionamiento:
 - Cuando trabaje en madera reconstituida gruesa, como la madera microlaminada, aplique fuerza adicional sobre la pieza para que la grapa entre hasta el fondo.
 - Cuando trabaje con cables de baja tensión, como CAT3, CAT5 o COAX, aplique menos fuerza sobre la pieza para que la grapa entre hasta el fondo.

Indicador de recarga

La manera en que el cargador indicará que ya no tiene sujetadores es cuando el contacto no comprima, lo que evitará que la herramienta funcione con la presión normal. Ponga más sujetadores para seguir trabajando.

Liberar un sujetador atascado

La mayoría de los atascamientos suceden porque un sujetador o parte de él se atora entre la hoja del accionador y la guía de la engrapadora. Las cintas de sujetadores con un calibre de incorrecto pueden causar atascos continuos. Para corregir el atascamiento:

1. Quite la batería.
2. **¡ADVERTENCIA!** Siempre apunte la herramienta en dirección opuesta de donde está usted y las demás personas al momento de instalar o quitar los sujetadores. No hacerlo puede ocasionar lesiones.
3. Retire la cinta de sujetadores del cargador.
4. Jale el pestillo del cargador hacia abajo y saque el cargador de la herramienta.
5. Retire los sujetadores y otros desperdicios (use pinzas de punta fina si es necesario).
6. Siga los pasos de "Pruebas diarias obligatorias" antes de volver reiniciar el trabajo.

Indicador de carga

Para determinar la cantidad de carga que queda en la batería, **encienda** la herramienta. El medidor de combustible se iluminará durante 2-3 segundos. Cuando se deja menos del 10% de carga, 1 luz en el medidor de combustible parpadeará 4 veces.

Para indicar el final de la carga, 1 luz en el medidor de combustible parpadeará 8 veces y la herramienta no funcionará. Cargue el paquete de baterías.

Si la batería se calienta demasiado, las luces del medidor de combustible parpadearán y la herramienta no funcionará. Deje que la batería se enfríe.

PRUEBAS DIARIAS OBLIGATORIAS

⚠️ ADVERTENCIA Para reducir el riesgo de lesiones en usted y en las demás personas, pruebe la herramienta antes de empezar a trabajar cada día o si la herramienta se cayó, recibió un golpe fuerte, se aplastó, etc. Siga los pasos que se mencionan en la lista de verificación **EN EL MISMO ORDEN EN EL QUE SE INDICAN**. Si la herramienta no funciona como debería, comuníquese con un centro de servicio **MILWAUKEE de inmediato**.

Siempre apunte la herramienta en dirección opuesta de donde está usted y las demás personas.

1. Quite la batería.
2. **⚠️ ADVERTENCIA!** Siempre apunte la herramienta en dirección opuesta de donde está usted y las demás personas al momento de instalar los sujetadores. No hacerlo puede ocasionar lesiones.
3. Revise todos los tornillos, pernos, tuercas y pasadores de la herramienta. Debe apretarse cualquier sujetador suelto.
4. Presione el pestillo del cargador y saque el cargador de la herramienta. Presione el contacto de la pieza de trabajo contra una pieza de trabajo. Debe moverse con suavidad.
5. Con el contacto de la pieza de trabajo presionado contra la pieza de trabajo, jale el gatillo. Debe moverse con suavidad.
6. Ponga la batería.
7. Asegúrese de que el cargador siga afuera. Sosteniendo el contacto de la pieza de trabajo alejado de la pieza de trabajo, jale y sostenga el gatillo durante 5 segundos. La herramienta no debe operar. Suelte el gatillo.
8. Si todas las pruebas anteriores dan resultados satisfactorios, prepare la herramienta para empezar a trabajar. Seleccione la operación y cargue las cintas de sujetadores.
9. Si todas las pruebas dan resultados satisfactorios, la herramienta estará lista para usarse. Repita estas pruebas antes de usarse cada día o si la herramienta se cae, recibe un golpe fuerte, le pasa un objeto por encima, se atasca, etc.

MANTENIMIENTO

⚠️ ADVERTENCIA Para reducir el riesgo de una lesión, desconecte siempre la herramienta antes de darle cualquier mantenimiento. Nunca desarme la herramienta ni trate de hacer modificaciones en el sistema eléctrico de la misma. Acuda siempre a un Centro de Servicio **MILWAUKEE** para **TODAS** las reparaciones.

Mantenimiento de las herramientas

Adopte un programa regular de mantenimiento y mantenga su herramienta en buenas condiciones. Inspeccione la herramienta para problemas como ruidos indebidos, desalineadas o agarrotadas de partes móviles, piezas rotas o cualquier otra condición que pueda afectar el funcionamiento de la herramienta. Envíe su herramienta al Centro de Servicio **MILWAUKEE** para reparación. Después de 6 meses a un año, dependiendo del uso dado, envíe su herramienta al Centro de Servicio **MILWAUKEE** más cercano para la inspección.

Si la herramienta no arranca u opera a toda su potencia con una batería completamente cargada, limpie, con una goma o borrador, los contactos de la batería y de la herramienta. Si aun así la herramienta no trabaja correctamente, regrésela, con el cargador y la batería, a un centro de servicio **MILWAUKEE**.

⚠️ ADVERTENCIA Para reducir el riesgo de lesiones, descarga eléctrica o daño a la herramienta, nunca la sumerja en líquidos ni permita que estos fluyan dentro de la misma.

Limpieza

Limpie el polvo y suciedad de las cualquier ventilas. Mantenga los herramienta, limpios, secos y libres de aceite o grasa. Use solo jabón neutro y un trapo húmedo para limpiar, ya que algunos sustancias y solventes limpiadores son dañinos a los plásticos y partes aislantes. Algunos de estos incluyen: gasolina, turpentina, thinner, lacas, thinner para pinturas, solventes para limpieza con cloro, amoníaco y detergentes caseros que tengan amonía. Nunca usa solventes inflamables o combustibles cerca de una herramienta.

Reparaciones

Si su herramienta, batería o cargador están dañados, envíela al centro de servicio autorizado más cercano.

ACCESORIOS

⚠️ ADVERTENCIA Utilice sólo los accesorios específicamente recomendados. Otros accesorios puede ser peligroso.

Para una lista completa de accesorios, visite nuestro sitio en Internet: www.milwaukeetool.com o póngase en contacto con un distribuidor.

SOPORTE DE SERVICIO - MEXICO

CENTRO DE ATENCION A CLIENTES

Techtronic Industries Mexico, S.A. de C.V.

Av. Presidente Masarik 29 Piso 7

11560 Polanco V Seccion

Miguel Hidalgo, Distrito Federal, México

01 (800) 030-7777 o (55) 4160-3540

Lunes a Viernes (9am a 6pm)

O contáctanos en www.milwaukeetool.com.mx

GARANTÍA LIMITADA - E.U.A. Y CANADA

Esta herramienta eléctrica de MILWAUKEE* está garantizada, ante el comprador original únicamente, por parte de un distribuidor autorizado MILWAUKEE, de que no tenga material y mano de obra defectuosos. Sujeto a ciertas excepciones, MILWAUKEE reparará o sustituirá cualquier pieza de esta herramienta eléctrica que tenga defectos de material o mano de obra según lo determine MILWAUKEE mediante una revisión, por un periodo de cinco (5) años después de la fecha de compra a menos que se indique lo contrario. Al devolver la herramienta eléctrica a un centro de servicio de fábrica de MILWAUKEE o a una estación de servicio autorizada de MILWAUKEE, es necesario que la devolución se haga con flete pagado por adelantado y asegurado. Se debe incluir una copia del comprobante de compra con el producto devuelto. Esta garantía no aplica a daños que MILWAUKEE determine que son ocasionados por reparaciones o intentos de reparaciones realizados por una persona que no sea personal autorizado de MILWAUKEE, uso indebido, alteraciones, maltrato, desgaste normal, falta de mantenimiento o accidentes.

Desgaste normal: Muchas herramientas eléctricas necesitan cambios de piezas y mantenimiento periódicos para alcanzar su máximo rendimiento. Esta garantía no cubre la reparación cuando el uso normal ha agotado la vida útil de una pieza, incluyendo, entre otros, mandriles, cepillos, cables, zapatas de la sierra, abrazaderas de la hoja, juntas tóricas, sellos, protectores, hojas de accionamiento, pistones, herrajes, levantes y arandelas de cubierta de los protectores.

*La presente garantía no cubre ni las baterías ni todas las herramientas eléctricas. Consulte las distintas garantías independientes que están disponibles para estos productos.

La vigencia de la garantía de la luz LED en la lámpara LED de trabajo (49-24-0171) y el foco mejorado de LED (49-81-0090) es la misma que la vida útil del producto sujeto a las limitaciones anteriores. Si la luz LED o el foco mejorado LED presentan fallas durante su uso normal, se cambiará la pieza sin costo.

No es necesario realizar el registro de la garantía para recibir la garantía correspondiente a un producto de herramienta eléctrica de MILWAUKEE. La fecha de fabricación del producto servirá para determinar la vigencia de la garantía en caso de que no presente ningún comprobante de compra al solicitar el servicio en garantía.

LA ACEPTACIÓN DE LOS RESARCIMIENTOS EXCLUSIVOS DE REPARACIÓN Y SUSTITUCIÓN AQUÍ DESCRITOS ES UNA CONDICIÓN DEL CONTRATO EN CUANTO A LA COMPRA DE TODO PRODUCTO DE MILWAUKEE. SI USTED NO ACEPTA ESTA CONDICIÓN, NO DEBE COMPRAR EL PRODUCTO. MILWAUKEE NO SERÁ RESPONSABLE EN NINGÚN CASO DE DAÑOS INCIDENTALES, ESPECIALES, EMERGENTES O PUNITIVOS NI DE NINGÚN COSTO, HONORARIOS DE ABOGADOS, GASTOS, PÉRDIDAS O DEMORAS QUE SUPUESTAMENTE SEAN CONSECUENCIA DE ALGÚN DAÑO, FALLA O DEFECTO DE ALGUNO DE LOS PRODUCTOS, INCLUYENDO, ENTRE OTROS, RECLAMACIONES POR PÉRDIDA DE UTILIDADES. ALGUNOS ESTADOS NO PERMITEN LA EXCLUSIÓN O LIMITACIÓN DE RESPONSABILIDAD POR DAÑOS INCIDENTALES O EMERGENTES, POR LO QUE LA ANTERIOR LIMITACIÓN O EXCLUSIÓN PODRÍA NO APLICARSE EN SU CASO. ESTA GARANTÍA ES EXCLUSIVA Y SUSTITUYE TODAS LAS DEMÁS GARANTÍAS EXPRESAS, SEAN ESTAS ESCRITAS U ORALES. HASTA DONDE PERMITA LA LEY, MILWAUKEE DESCONOCE CUALQUIER GARANTÍA IMPLÍCITA, INCLUYENDO, SIN LIMITACIÓN, CUALQUIER GARANTÍA IMPLÍCITA DE COMERCIABILIDAD O IDONEIDAD PARA UN FIN O USO ESPECÍFICO; HASTA EN QUE DICHO DESCONOCIMIENTO NO SEA PERMITIDO POR LA LEY. DICHAS GARANTÍAS IMPLÍCITAS SE LIMITAN A LA DURACIÓN DE LA GARANTÍA EXPRESA CORRESPONDIENTE SEGÚN LO ARRIBA DESCRITO. ALGUNOS ESTADOS NO PERMITEN LIMITACIONES EN LA VIGENCIA DE UNA GARANTÍA IMPLÍCITA, POR LO QUE LA ANTERIOR LIMITACIÓN PUDIERA NO APLICAR A USTED. ESTA GARANTÍA LE CONFIERE DERECHOS JURÍDICOS ESPECÍFICOS Y USTED PODRÍA, ADÉMÁS, TENER OTROS DERECHOS QUE VARIAN SEGÚN EL ESTADO.

Esta garantía aplica únicamente a los productos vendidos en EE. UU. y Canadá.

Consulte la pestaña "Búsqueda de centro de servicio" en la sección de Partes y servicio del sitio web de MILWAUKEE en www.milwaukeeetool.com o llame al 1.800.SAWDUST (1.800.729.3878) para localizar su centro de servicio más cercano para dar servicio, con y sin garantía, a una herramienta de MILWAUKEE.

PÓLIZA DE GARANTÍA - VALIDA SOLO PARA MÉXICO, AMÉRICA CENTRAL Y EL CARIBE

La garantía de TECHTRONIC INDUSTRIES es por 5 años a partir de la fecha original de compra.

Esta tarjeta de garantía cubre cualquier defecto de material y mano de obra en ese Producto.

Para hacer válida esta garantía, presente esta tarjeta de garantía, cerrada/sellada por el distribuidor o la tienda donde compró el producto, al Centro de Servicio Autorizado (ASC). O, si esta tarjeta no se ha cerrado/sellado, presente la prueba original de compra a ASC. Llame 55 4160-3547 para encontrar el ASC más cercano, para servicio, partes, accesorios o componentes.

Procedimiento para hacer válida esta garantía

Lleve el producto a ASC, junto con la tarjeta de garantía cerrada/sellada por el distribuidor o la tienda donde compró el producto, y cualquier pieza o componente defectuoso se reemplazará sin costo para usted. Cubriremos todos los costos de flete con relación a este proceso de garantía.

Excepciones

Esta garantía no tendrá validez en las siguientes situaciones:

- Quando el producto se use de manera distinta a la que indica el manual del usuario final o de instrucciones.
- Quando las condiciones de uso no sean normales.
- Quando otras personas no autorizadas por TECHTRONIC INDUSTRIES modifiquen o reparen el producto.

Nota: si el juego de cables está dañado, tiene que reemplazarse en un Centro de Servicio Autorizado para evitar riesgos eléctricos.

CENTRO DE SERVICIO Y ATENCIÓN

Llame al 55 4160-3547

IMPORTADO Y COMERCIALIZADO POR
TECHTRONIC INDUSTRIES, MÉXICO, S.A. DE C.V.
Miguel de Cervantes Saavedra No.301 Piso 5, Torre Norte
11520 Colonia Ampliación Granada
Miguel Hidalgo, Ciudad de Mexico, Mexico

Modelo: _____

Fecha de Compra: _____

Sello del Distribuidor: _____

MILWAUKEE TOOL
13135 West Lisbon Road
Brookfield, WI 53005 USA

58145001d2
11/22

961014286-02(A)
Printed in China