

Series Spec Sheet

RMS

STEEL RUNNING MAN SIGN

Specification grade sign

The clean lines of the RMS series of commercial steel signs present a fully modern appearance. The high quality steel housing eliminates light leaks and provides superior illumination and uniformity. The RMS series offers a wide variety of options.

FEATURES AND SPECIFICATIONS

• Circuitry - AC & AC/DC

- Nichia LED ultra bright light source
- 120/277/347 V AC Input, field selectable
- Emergency DC wattages as follows:
**6 V DC = 0.9 W, 12 V DC = 0.9 W,
 24 V DC = 0.9 W**

• Circuitry - CEREBRUM

- Emergency DC wattage as follow:
24 V DC = 0.10 A/2.4 W
- This unit can be connected to Cerebrum's smart battery unit. Please view the Cerebrum brochure for more details on this technology.

• Circuitry - Self-powered

- Nichia LED ultra bright light source
- 120/277/347 V AC Input, field selectable
- High-performance, Ni-Cad battery
- 90 or 120 minutes emergency duration
- Solid state transfer and battery charger

• Mechanical

- 18 gauge steel construction
- Universal faces
- Universal mounting : ceiling mount, wall mount, end mount
- White powder coat finish standard, other colors optional

• Approvals

- CSA Certified to C22.2 #141-15, C860

• Compliance

- Meets requirements of ICES-005



OVERVIEW

Light source	LED
Input voltage (V AC)	120/277/347
Input power	1.9 W AC & AC/DC (single or double face) 2W self-powered (single or double face)
DC voltage (V DC)	6, 12, 24
DC power (W)	0.9
DC power/voltage (Cerebrum)	24 V = 2.4 W

POWER CONSUMPTION TABLE

Model	Voltage	Power	Current
RMS-IB	120 V	2 W	0.024 A
	277 V	1.5 W	0.007 A
	347 V	1.9 W	0.008 A
RMS-IB1	120 V	3.35 W	0.034 A
	277 V	2.63 W	0.01 A
	347 V	3.31 W	0.012 A
RMS-UDC	120 V	1.8 W	0.022 A
	277 V	1.4 W	0.006 A
	347 V	1.7 W	0.007 A



cerebrum
compatible



quick
ship



LED
fixture



ICES
005



Energy-Verified
Energie-Vérfiée

TYPICAL SPECIFICATION



TYPICAL SPECIFICATION

Supply and install Stanpro RMS Series, all steel Running Man Exit Signs. The sign shall operate with AC/DC field selectable 120/277/347 V AC Input, field selectable Emergency DC voltage as follows 6 V 0.9 W, 12 V 0.9 W, 24 V DC 0.9 W. The Self powered configuration shall be AC field selectable 120/277/347v and consist of a long lasting Nickel-Cadmium battery and shall stay illuminated for a minimum of 120 minutes upon AC failure. The face shall be illuminated by using Nichia LED ultra-bright light source. The sign shall be suitable for wall, end, or ceiling mount and come complete with 3 Running Man fibers for universal direction. The frame and back plate shall each be of a one-piece steel construction. The Exit Running Man Sign shall be CSA 22.2 No.141-15 certified, ICES 005 compliant and be Stanpro model number RMS_____.

Data is based upon tests performed in a controlled environment. Actual performance can vary depending on operating conditions. All products are subject to change or may be discontinued any time without notice.

QUICK SHIP AND TECHNICAL SPECIFICATION TABLE 🕒¹

Part number	DC Volts	Nbr of faces	Light source	Input Volts	Color
	(V DC)			(V AC)	
RMSOWH-IB	IB	Universal	LED	120/277/347	White
RMSOWH-UDC	UDC	Universal	LED	120/277/347	White

¹ **QUICK SHIP:** Product availability is subject to change without notice. Please contact your Stanpro customer service representative to confirm inventory levels at time of order.

ORDERING GUIDE

Series	Nbr of faces	Color	DC Volts* (V DC)	Options
RMS	0 - Universal faces 1 - Single face 2 - Double face	WH - White (standard) BK - Black GY - Grey SP - Custom color (please specify)	UDC - Universal DC backup voltage from 6 to 24 IB - Self-powered for 90 minutes IB1 - Self-powered for 120 minutes CER - Cerebrum driver	AT ¹ , BO , K5 , PGD , OP , TP , WO , WGD ² 0 - No indicators (double face only) ↓ ↑ ↗ ↘ ↙ ↘ D U UR DR DL UL Note: Indicators option available for single & double option only.

* If AC only is required, select the UDC option and do not connect the DC wires when installing.

¹ AT available with IB and IB1.

² Specify mounting.

EMERGENCY LIGHTING OPTIONS

Option	Description
AT ¹	Automatic test Self-diagnostic
BO	Black Out Option (special wording)
K5	1/2" Knockout for pendant mount
OP	Special Wording
PGD	Lexan Guard (separate order)
TP	Tamper Proof Screws
WGD ²	Wireguard (separate order)
WO	White Out Option (special wording)

WIREGUARD³

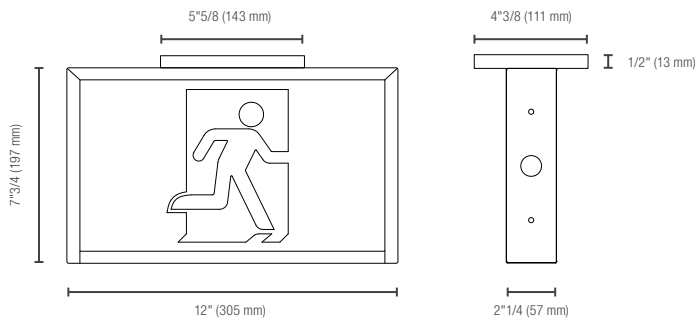
	Part number	Dimensions
Wall Mount	WGD520-V2	15.75 x 11.5 x 4.5
Ceiling Mount	WGD540-V2	18.25 x 9.75 x 10.5
End Mount	WGD650-V2	17.75 x 17.75 x 16.50

³ Please contact your STANPRO customer service representative for more information.

LEXAN GUARD

	Part number	Dimensions
Wall Mount	PGD109	14 x 9.75 x 3.5
Ceiling Mount	PGD110	14 x 5.75 x 10
End Mount	PGD106	5.5 x 9.25 x 18.5

DIMENSIONS



CONFIGURATIONS



Comes standard (single and universal face) with three pictogram legends for direction selection.



Comes standard (double face) with two pictogram legends.



For double face no arrow options, select "No indicators" on the options column.

Data is based upon tests performed in a controlled environment. Actual performance can vary depending on operating conditions. All products are subject to change or may be discontinued any time without notice.