

RMRN

“NOAH”

WET LOCATION ANTI VANDAL RUNNING MAN

120/277/347 VAC Input

The RMRN series of wet location anti vandal running man is designed to operate in extreme environments. The unit, designed using a polycarbonate housing, maintains its sealed interior with a continuous integral gasket. As well, LED pilot light and test switch are sealed type. Available in AC/DC and internally self-powered versions.

FEATURES AND SPECIFICATIONS

• Electrical – AC/DC

- LED ultra bright light source
- 120/277/347 VAC 60 Hz Input, field selectable
- 2 W power consumption single or double face
- 6 V, 12 V and 24 V universal DC
- **6 VDC = 0.8 W, 12 VDC = 0.9 W, 24 VDC = 1.2 W**

• Electrical – self-powered

- LED ultra bright light source
- 120/277/347 VAC Input, field selectable
- 3.34 W power consumption single or double face
- High-performance, sealed Ni-Cad battery
- 90 minutes emergency duration (standard)
120 minutes emergency duration is optional
- Solid state transfer and battery charger
- Auto test feature comes standard

• Mechanical

- Reinforced polycarbonate construction
- Stainless steel tamper proof screws and bits
- One piece, molded and gasketed lens
- Universal spider knockout pattern stamped into backplate for junction box mounting (backplate available with single face unit only)
- Universal models include ceiling or end mount, field installable canopy kit
- UDC Sign: -35°C to +40°C
- Self-Powered Sign: +10°C to +40°C with Cold Weather option added: -20°C to +40 °C (available only with IB)

• Approvals

- CSA Certified to C22.2 #141-15
- CSA Certified to C860-11
- CSA Certified type 2, 3, 3R, 4, 4X, 5,12 or 12K
- CSA Certified to NSF 2
- IP66

• Compliance

- Meets requirements of ICES-005



OVERVIEW

| | |
|---------------------|---|
| Light source | LED |
| Input voltage (VAC) | 120/277/347 |
| Input power | 2 W AC & AC/DC single or double face 3.34 W self-powered single or double face |
| DC voltage/power | 6 VDC = 0.8 W 12 VDC = 0.9 W 24 VDC = 1.2 W |

For complete warranty details, please see our terms and conditions on our website



LED
fixture



ICES
005



Energy Verified
Energie Vérifiée



SANITATION
NSF/ANSI 2

TYPICAL SPECIFICATION



TYPICAL SPECIFICATION

Supply and install Stanpro RMRN Series. The RMRN shall be of a reinforced polycarbonate construction, stainless steel tamper proof screws and bits, one piece, molded and gasketed lens, universal spider knockout pattern stamped into back plate for junction box mounting. Universal models include ceiling or end mount, field installable canopy kit. The sign shall operate with AC/DC field selectable 120/277/347 V AC Input, field selectable Emergency DC voltage as follows 6 V 0.9 W, 12 V 0.9 W, 24 V DC 0.9 W. The Self powered configuration shall be AC field selectable 120/277/347v and consist of a long lasting Nickel-Cadmium battery and shall stay illuminated for a minimum of 120 minutes upon AC failure. The self-powered sign comes standard for +10°C to +40°C environments or with a cold weather option for -20°C to +40°C. The face shall be illuminated by using Nichia LED ultra-bright light source. The sign shall come complete with 3 Running Man fibers for universal direction. The Exit Running Man Sign shall be CSA 22.2 No.141-15 certified, CSA Certified type 2, 3, 3R, 4, 4X, 5, 12 or 12K, CSA Certified to NSF 2, IP66 and ICES 005 compliant and be Stanpro model number RMRN_____.

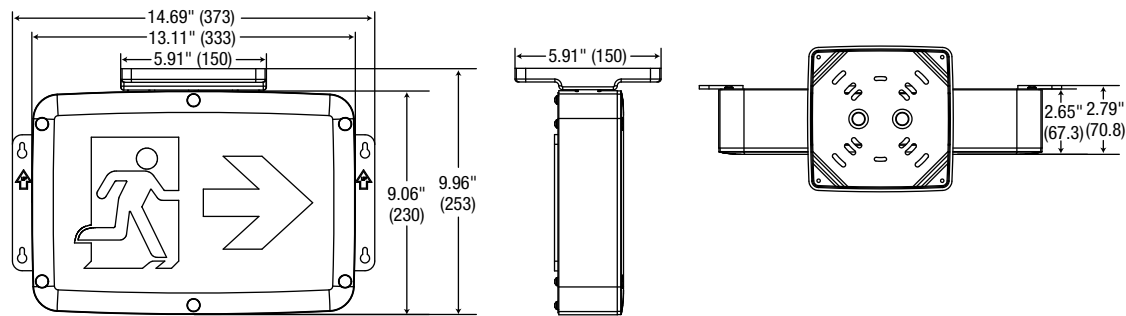
Data is based upon tests performed in a controlled environment. Actual performance can vary depending on operating conditions. All products are subject to change or may be discontinued any time without notice.

ORDERING GUIDE

| Series | Nbr of faces | Mounting | Color | DC Volts (VDC) | Options |
|--------|------------------------------------|-------------------|--------------------------|---|--|
| RMRN | 1 - Single face 2 - Double face | Blank - Universal | BK - Black WH - White | UDC - Universal DC backup voltage from 6 to 24 IB - Self-powered for 90 minutes IB1 - Self-powered for 120 minutes CER - Cerebrum driver | AT ¹ - Auto test standard CW ² - Cold Weather at -20°C to +40°C 0 - No indicators (double face only) ↓ ↑ ↗ ↘ ↙ ↘ D U UR DR DL UL |

¹ Available only with IB & IB1. Mandatory with IB & IB
² Available only with IB.

DIMENSIONS



Comes standard (double face) with two pictogram legends.



For double face no arrow options, select "No indicators" on the options column.



Comes standard (single face) with three pictogram legends for direction selection.

LEXAN GUARD

| | Part number | Dimensions (in) |
|---------------|-------------|------------------|
| Wall Mount | PGD105 | 20 x 10.25 x 3.5 |
| Ceiling Mount | PGD100 | 16 x 10 x 13.5 |

Data is based upon tests performed in a controlled environment. Actual performance can vary depending on operating conditions. All products are subject to change or may be discontinued any time without notice.