

Project: _____ Type: _____

Drawn by: _____ Catalogue #: _____ Date: _____

Individual Spec Sheet

LED HIGH INTENSITY LAMP

CCT and Power Selectable

ORDERING INFORMATION

Order code: 69130
Model number: CRN180/PS40W/3CCT/BYP/120-277/E39/STD
UPC: 069549024793
Case quantity: 12
DLC Unique ID: S-XONWQ7

PHYSICAL DATA

Base: E39
Type: 180° High Intensity

PERFORMANCE DATA

Watts (W): 20/30/40
Traditional equivalent (W) 200
Volts (V AC): 120-277
Color temperature (K)¹: 3 000/4 000/5 000
Lumen output (lm)²: 2 194/2 368/ 2 292
Efficacy (lm/W): 109.7/118.4/114.6
CRI: 80
Life L70 (h)³: 50 000
Beam angle (°): 180
Power factor: >0.9
Frequency (Hz): 50/60
Operating temp. range: - 40 °C / - 40 °F to 45 °C / 113 °F
Installation: Ballast Bypass

¹ Typical color temperature range: +/- 5 %.

² Lumen values are derived from photometric testing. Initial lumens range: +/- 10 %.

³ Life hours are derived from IESNA LM80-08 testing report and projected per IESNA TM-21-11 extrapolations.

LUMEN SPECIFICATION TABLE

Order code	Description	Watts (W)	3 000 K		4 000 K		5 000 K	
			Lumen output (lm)	Efficacy (lm/W)	Lumen output (lm)	Efficacy (lm/W)	Lumen output (lm)	Efficacy (lm/W)
69130	CRN180/PS40W/3CCT/BYP/120-277/E39/STD	20	2 194	109.7	2 368	118.4	2 292	114.6
		30	3 291	109.7	3 552	118.4	3 438	114.6
		40	4 342	109.7	4 669	118.4	4 607	114.6



ICES
005

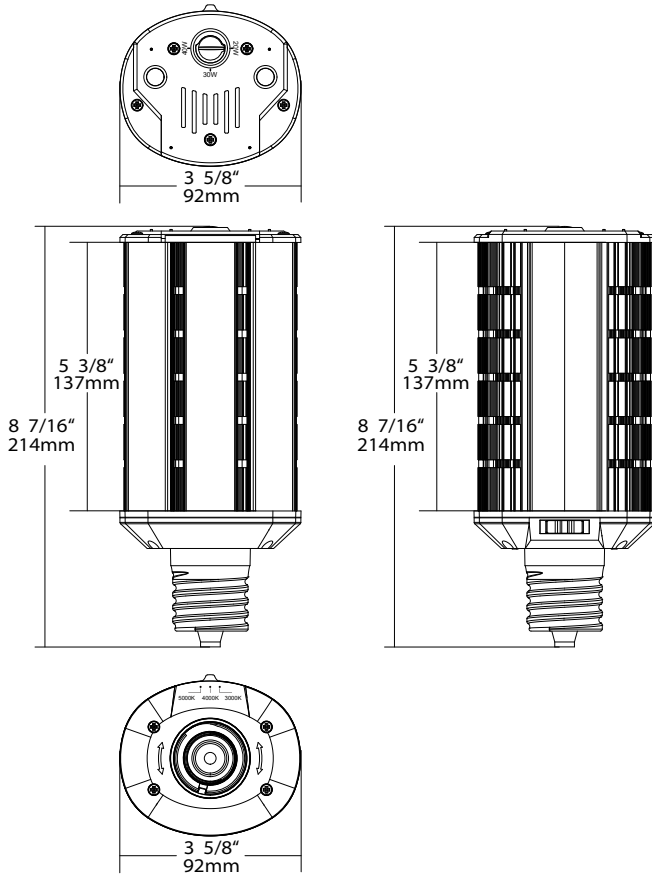


enclosed
fixture



This lighting equipment meets requirements of ICES-005 issue 5 class B for use in residential applications. Data is based upon tests performed in a controlled environment. Actual performance can vary depending on operating conditions. Specifications are subject to change without notice.

DIMENSIONS



Qty	Description	Price

I accept the specifications of the lamp configuration mentioned above.

Name: _____

Company: _____

Signature: _____

Date: _____

Data is based upon tests performed in a controlled environment. Actual performance can vary depending on operating conditions. All products are subject to change or may be discontinued any time without notice. Please contact your Stanpro customer service representative to confirm inventory levels at time of order.