

Project: \_\_\_\_\_ Type: \_\_\_\_\_

Drawn by: \_\_\_\_\_ Catalogue #: \_\_\_\_\_ Date: \_\_\_\_\_

## Individual Spec Sheet

# MULTI-MOUNT EDGELIT

**LED CEILING LUMINAIRE**  
3 CCT SELECTABLE  
SURFACE OR SUSPENDED

### ORDERING INFORMATION

**Order code:** 69183  
**Model number:** CLEG16-R30W-A-3CWH  
**UPC:** 069549025189  
**Case quantity:** 10

### PHYSICAL DATA

**Length in. (cm):** 15 5/8 (39.72)  
**Lens material:** Frosted polystyrene  
**Housing material:** White polycarbonate housing  
**Mounting:** Surface or suspended (see accessories)

### PERFORMANCE DATA

**Watts (W):** 30  
**Volts (V AC):** 120  
**Color temperature (K):** 3 000/3 500/4 000  
**Lumen output (lm):** 2 120  
**Efficacy (lm/W):** 71  
**CRI:** 80+  
**Life L70 (h):** 50 000  
**Dimming:** Phase-Cut (ELV / Triac)  
**Power factor:** ≥0.90  
**Frequency (Hz):** 60  
**Operating temp. range:** -10 °C to 40°C (14 °F to 104 °F)

<sup>1</sup> Typical color temperature range: +/- 5 %.

<sup>2</sup> Lumen values are derived from Energy Star reported data. Initial lumens range: +/- 10 %.

<sup>3</sup> Life hours are derived from IESNA LM80-08 testing report and projected per IESNA TM-21-11 extrapolations.

### LUMEN SPECIFICATION TABLE

Order code	Model number	Watts (W)	3 000 K		3 500 K		4 000 K	
			Lumen output (lm)	Efficacy (lm/W)	Lumen output (lm)	Efficacy (lm/W)	Lumen output (lm)	Efficacy (lm/W)
69183	CLEG16-R30W-A-3CWH	30	2 071	69	2 420	81	2 275	76

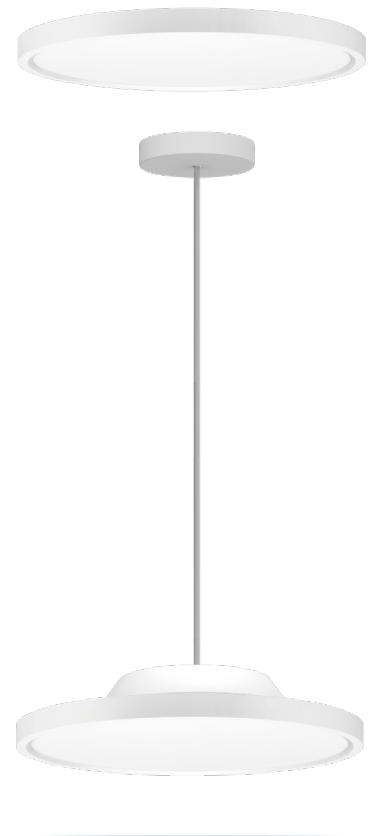
### DEFAULT PROGRAMMING

3 000 K

### ACCESSORIES (order separately)

Order code	Model number	Type	Finish	Length (in)	Compatible with	Master case qty
69185	4.4FT STEM SUSP. KIT FOR CLEG16 WHITE	Stem suspension kit - adjustable length	White	6 - 53 1/8	69183	10

<sup>1</sup> Includes mounting bracket, canopy, stem and wires assembly and, hardware bag.



3 000/3 500/4 000 K



quick ship



LED fixture



dimmable



damp location



ICES 005



This lighting equipment meets requirements of ICES-005 issue 5 class B for use in residential applications. Data is based upon tests performed in a controlled environment. Actual performance can vary depending on operating conditions. Specifications are subject to change without notice.

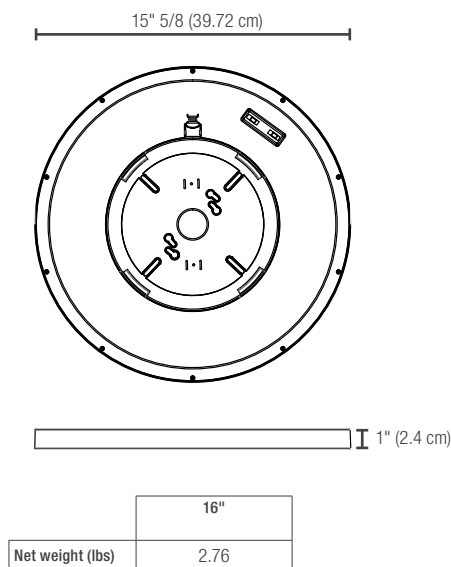
**COMPATIBLE DIMMERS<sup>1</sup>**

Brand	Model
Cooper	SLC03P
Leviton	IPL06, 6674, DSL06-1ZL, DSM10-1LZ, IPE04-1LZ
Lutron	PD-5NE, PD-6WCL, RRD-6NA-WH, AAL06, DVCL-153P, CTCL-153P, DVCL-253P, AYCL-253P, MACL-153P

Dimming range: 5%-100%

<sup>1</sup> This table shows dimmers that have been tested and have demonstrated proper operation under normal conditions. Each installation being unique, various factors such as load, common neutrals or other electrical products on the circuit can, in certain instances, cause variance in system performance. Read and comply to the dimmer installation instructions. Consult dimming system manufacturer for additional support in operation. Some dimmers may require more than one product for stable operation. Stanpro recommends to use dimmers designed to work with LED products. Older dimmers designed for incandescent products may cause erratic operation.

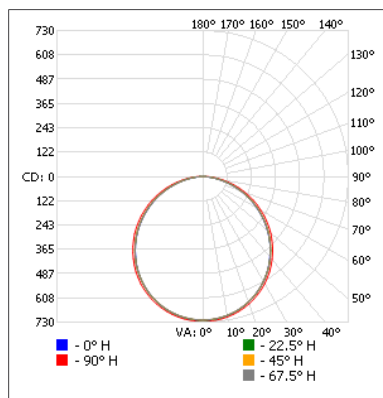
**DIMENSIONS AND WEIGHT**



**PHOTOMETRIC DATA<sup>1</sup>**

69183 • CLEG16-R30W-A-3CWH • 30 W • 3 000 K • 2 071.0 lm

**Polar candela distribution**



**Zonal lumen summary**

Zone	Lumens	% Fixture
0-30	559.3	27
0-40	916.4	44.2
0-60	1 621.3	78.3
60-90	449.7	21.7
0-90	2 071.0	100

**Illuminance at a distance**

Center beam fc		Beam width	
1.7'	249	5.0'	5.4'
3.3'	66.2	9.7'	10.4'
5.0'	28.8	14.7'	15.8'
6.7'	16.1	19.6'	21.2'
8.3'	10.5	24.3'	26.3'
10.0'	7.21	29.3'	31.6'

■ Vert. spread: 111.4°  
■ Horiz. spread: 115.4°

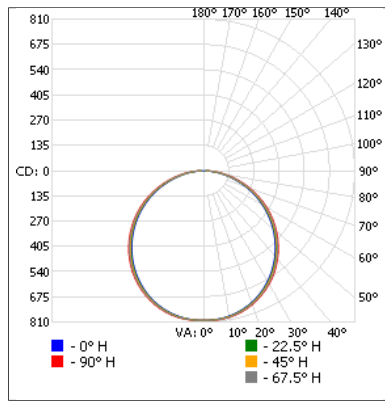
<sup>1</sup> Complete IES files available on our website.

Data is based upon tests performed in a controlled environment. Actual performance can vary depending on operating conditions. All products are subject to change or may be discontinued any time without notice. Please contact your Stanpro customer service representative to confirm inventory levels at time of order.

**PHOTOMETRIC DATA<sup>1</sup>**

**69183 • CLEG16-R30W-A-3CWH • 30 W • 3 500 K • 2 419.6 lm**

**Polar candela distribution**



**Zonal lumen summary**

Zone	Lumens	% Fixture
0-30	631.0	26.1
0-40	1 038.7	42.9
0-60	1 858.0	76.8
60-90	561.6	23.2
0-90	2 419.6	100

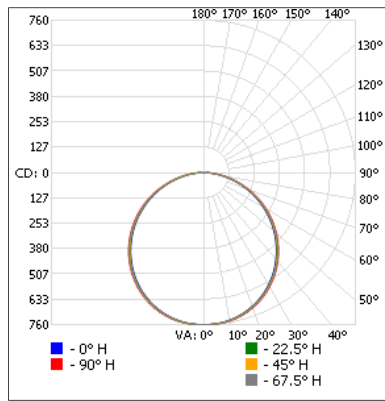
**Illuminance at a distance**

Center beam fc		Beam width	
1.7'	277	5.2'	5.7'
3.3'	73.4	10.2'	11.1'
5.0'	32.0	15.4'	16.7'
6.7'	17.8	20.6'	22.4'
8.3'	11.6	25.5'	27.8'
10.0'	8.00	30.8'	33.5'

■ Vert. spread: 113.9°  
■ Horiz. spread: 118.3°

**69183 • CLEG16-R30W-A-3CWH • 30 W • 4 000 K • 2 274.9 lm**

**Polar candela distribution**



**Zonal lumen summary**

Zone	Lumens	% Fixture
0-30	597.1	26.2
0-40	982.1	43.2
0-60	1 753.4	77.1
60-90	521.6	22.9
0-90	2 274.9	100

**Illuminance at a distance**

Center beam fc		Beam width	
1.7'	262	5.2'	5.6'
3.3'	69.7	10.2'	10.8'
5.0'	30.3	15.4'	16.3'
6.7'	16.9	20.7'	21.9'
8.3'	11.0	25.6'	27.1'
10.0'	7.59	30.9'	32.7'

■ Vert. spread: 114.1°  
■ Horiz. spread: 117.0°

<sup>1</sup> Complete IES files available on our website.

Qty	Description	Price

I accept the specifications of the luminaire configuration mentioned above.

Name: \_\_\_\_\_

Company: \_\_\_\_\_

Signature: \_\_\_\_\_

Date: \_\_\_\_\_

Data is based upon tests performed in a controlled environment. Actual performance can vary depending on operating conditions. All products are subject to change or may be discontinued any time without notice. Please contact your Stanpro customer service representative to confirm inventory levels at time of order.