

Project: _____ Type: _____

Drawn by: _____ Catalogue #: _____ Date: _____

Individual Spec Sheet

PICCOLO CHOICE

LED TRACK HEAD

ORDERING INFORMATION

Order code: 69409
Model number: TLP-13-3090F-AJWH/CHOICE
UPC: 069549027190
Case quantity: 24

PHYSICAL DATA

Size in. (cm) 2 3/8 x 4 (6.1 x 10)
Finish: White
Lens material: Frosted polycarbonate
Housing material: Aluminum
Mounting: Track system

PERFORMANCE DATA

Watts (W): 13
Volts (V AC): 120
Color temperature (K):¹ 3 000
Lumen output (lm):² 1 000
Efficacy (lm/W): 77
CRI: 90+
Life L70 (h):³ 50 000
Beam angle (°): 40
Environment: Damp location
THD (%): <15
Power factor: >0.9
Frequency (Hz): 60
Operating temp. range: -20°C to 40°C (-4°F to 104°F)
Dimming: Phase-Cut (ELV / Triac)

¹ Typical colour temperature range: +/- 5 %.

² Lumen values are derived from Energy Star reported data. Initial lumens range: +/- 10 %.

³ Life hours are derived from IESNA LM80-08 testing report and projected per IESNA TM-21-11 extrapolations.

ACCESSORIES (order separately)

Type
STJ Stanpro tracks
Track accessories



5_{yrs}
warranty


LED
fixture


dimmable

6
damp
location


ICES
005


Intertek


ENERGY STAR

This lighting equipment complies with Canadian standard ICES-005 issue 5 class B for use in residential applications. Data is based upon tests performed in a controlled environment. Actual performance can vary depending on operating conditions. Specifications are subject to change without notice.

COMPATIBLE DIMMERS¹

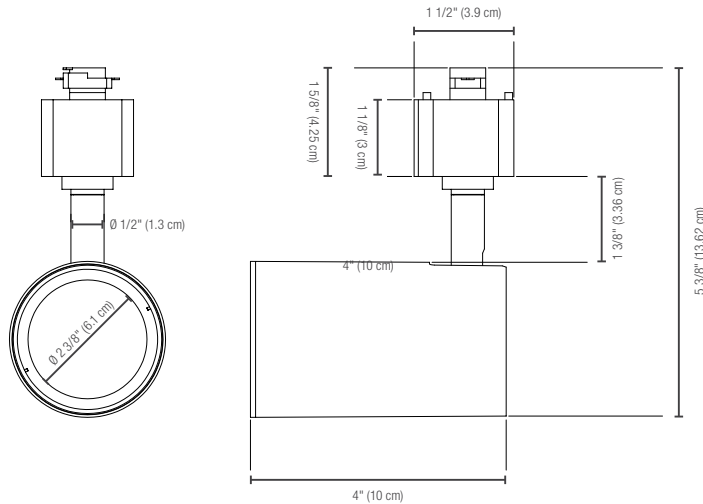
Brand	Model
Cooper	RRD-6NA ² , SLC03P ² , AAL06
Leviton	6674 ² , DSM10-1LZ, DDMX1
Lutron	CTCL-153P ² , DVCL-253P ² , PD-5NE, PD-6WCL, DVRP-253, SELV-300P, MACL-153P

² Dimming range: 5%-100%

Dimming range: 10%-100%

¹ This table shows dimmers that have been tested and have demonstrated proper operation under normal conditions. Each installation being unique, various factors such as load, common neutrals or other electrical products on the circuit can, in certain instances, cause variance in system performance. Read and comply to the dimmer installation instructions. Consult dimming system manufacturer for additional support in operation. Some dimmers may require more than one product for stable operation. Stanpro recommends to use dimmers designed to work with LED products. Older dimmers designed for incandescent products may cause erratic operation.

DIMENSIONS AND WEIGHTS

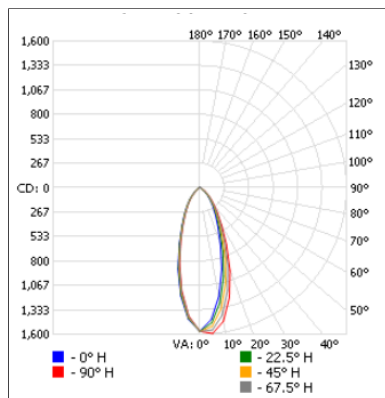


Net weight (lbs)	0.77
------------------	------

PHOTOMETRIC DATA¹

69409 • TLP-13-3090F-AJWH/CHOICE • 1009.3 lm

Polar candela distribution



Zonal lumen summary

Zone	Lumens	% Fixture
0-30	639.7	63.4
0-40	806.6	79.9
0-60	948.4	94
60-90	33.6	3.3
70-100	19.1	1.9
90-120	9.4	0.9
0-90	982.0	97.3
90-180	27.3	2.7
0-180	1 009.3	100

Illuminance at a distance

Center beam fc		Beam width	
1.7'	542	1.1'	1.2'
3.3'	144	2.1'	2.3'
5.0'	62.7	3.2'	3.5'
6.7'	34.9	4.3'	4.8'
8.3'	22.8	5.3'	5.9'
10.0'	15.7	6.4'	7.1'

■ Vert. spread: 35.3°
■ Horiz. spread: 39.1°

¹ Complete IES files available on our website.

Qty	Description	Price

I accept the specifications of the luminaire configuration mentioned above.

Name: _____
 Company: _____
 Signature: _____

Date: _____

Data is based upon tests performed in a controlled environment. Actual performance can vary depending on operating conditions. All products are subject to change or may be discontinued any time without notice.