

## Individual Spec Sheet

# WCY

## 6" LED CYLINDER WALL MOUNT

### UPLIGHT, DOWNLIGHT OR UPLIGHT/DOWNLIGHT

#### ORDERING INFORMATION

**Order code:** 69151  
**Model number:** WCY-6LS1-Q-3C-BK-P  
**UPC:** 069549024922  
**Case quantity:** 4

#### PHYSICAL DATA

**Size in. :** 6  
**Lens material:** Glass Lens  
**Housing material:** Aluminium Die Cast  
**Mounting:** Wall mount, Surface mount

#### PERFORMANCE DATA

**Watts (W):** 36  
**Volts (V AC):** 120-347  
**Color temperature (K)<sup>1</sup>:** 3 000/4 000/5 000 K  
**Lumen output (lm)<sup>2</sup>:** 4 254  
**Efficacy (lm/W):** 118  
**CRI:** 80+  
**Finish:** Black  
**Photocell:** Yes  
**Life L70 (h)<sup>3</sup>:** 50 000  
**Dimming:** Yes  
**Power factor:** ≥0.90  
**THD (%):** ≤20  
**Frequency (Hz):** 50/60  
**Surge protection (kV):** 4  
**Input current (A):** 0.18 - 0.07  
**Operating temp. range:** -40 °C to 40 °C

<sup>1</sup> Typical color temperature range: +/- 5 %.

<sup>2</sup> Lumen values are derived from photometric testing. Initial lumens range: +/- 10 %.

<sup>3</sup> Life hours are derived from IESNA LM80-08 testing report and projected per IESNA TM-21-11 extrapolations.

#### LUMEN SPECIFICATION TABLE<sup>1</sup>

Order code	Model number	Watts (W)	Beam angle (°)	Volts (V)	3 000 K		4 000 K		5 000 K	
					Lumen output (lm)	Efficacy (lm/W)	Lumen output (lm)	Efficacy (lm/W)	Lumen output (lm)	Efficacy (lm/W)
69151	WCY-6LS2-Q-3C-BK-P	36	20	120-347	4 022	112	4 254	118	4 102	114

#### DEFAULT PROGRAMMING

4 000 K

<sup>1</sup> All lumen values are based on total combined delivered lumens for uplight/downlight distribution selection



IK06



quick ship



wet location



ICES 005



LED fixture



This lighting equipment meets requirements of ICES-005 issue 5 class B for use in residential applications. Data is based upon tests performed in a controlled environment. Actual performance can vary depending on operating conditions. Specifications are subject to change without notice.

**INCLUDED IN THE BOX**

Optics (two per box)

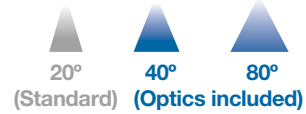
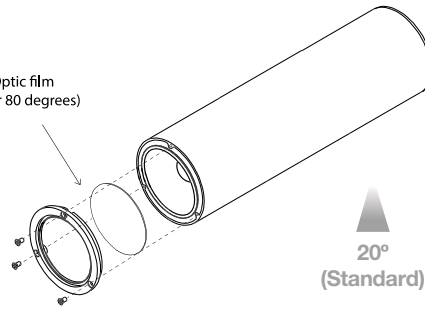


Front side of optic

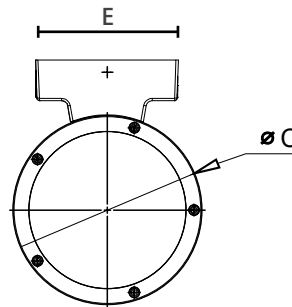
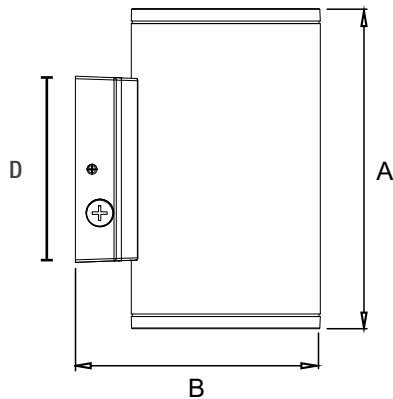


Back side of optic

Optic film  
(40 or 80 degrees)



**DIMENSIONS AND WEIGHT**

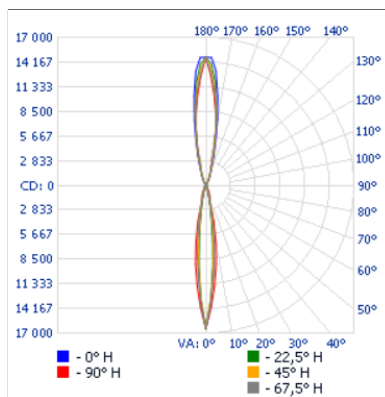


A in. (cm)	10.20 (25)
B in. (cm)	7.80 (19.8)
C in. (cm)	6 (15.3)
D in. (cm)	4 1/2 (11.5)
E in. (cm)	4 1/2 (11.5)
Net weight (lbs)	5.3

**PHOTOMETRIC DATA<sup>1</sup>**

69151 • WCY-6LS1-Q-3C-BK-P • 20 W • 4 000 K • 4 254 lm

**Polar candela distribution**



**Zonal lumen summary**

Zone	Lumens	% Fixture
0-30	1 468.5	34.5
0-40	1 611.6	37.9
0-60	1 784.7	42
60-90	73.1	1.7
70-100	28.5	0.7
90-120	48.0	1.1
0-90	1 857.8	43.7
90-180	2 395.9	56.3
0-180	4 253.7	100

**Illuminance at a distance**

Center beam fc		Beam width	
17.0'	57.1	3.6'	5.0'
34.0'	14.3	7.2'	10.0'
51.0'	6.35	10.8'	15.0'
68.0'	3.57	14.4'	20.1'
85.0'	2.28	18.0'	25.1'
102.0'	1.59	21.6'	30.1'

■ Vert. spread: 12.1°  
■ Horiz. spread: 16.8°

<sup>1</sup> Complete IES files available on our website.

Qty	Description	Price

I accept the specifications of the luminaire configuration mentioned above.

Name: \_\_\_\_\_  
 Company: \_\_\_\_\_  
 Signature: \_\_\_\_\_

Date: \_\_\_\_\_

Data is based upon tests performed in a controlled environment. Actual performance can vary depending on operating conditions. All products are subject to change or may be discontinued any time without notice. Please contact your Stanpro customer service representative to confirm inventory levels at time of order.