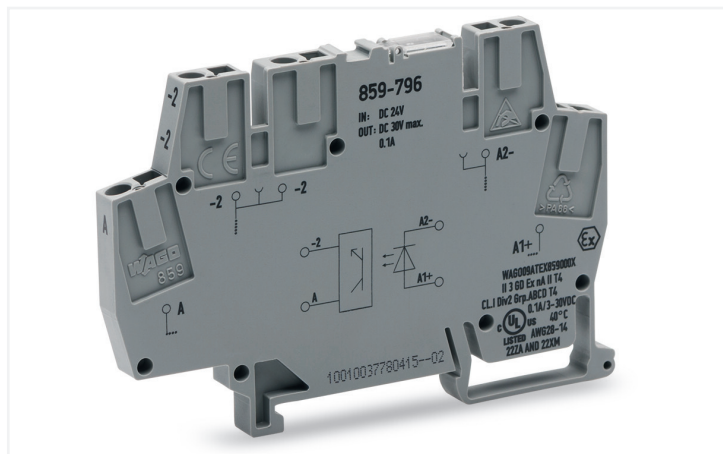


Data Sheet | Item Number: 859-796

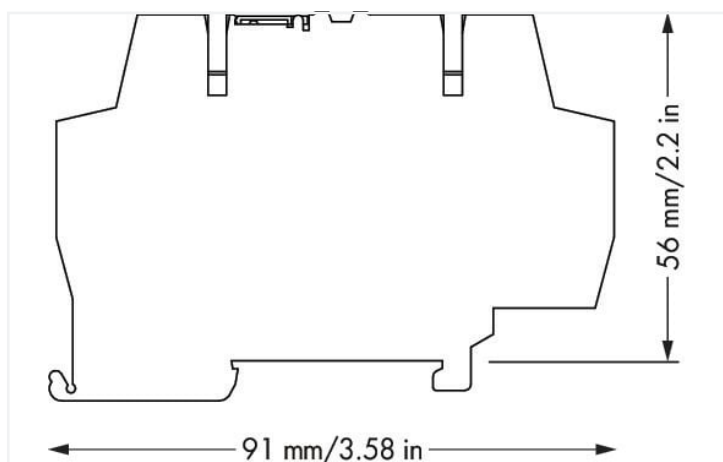
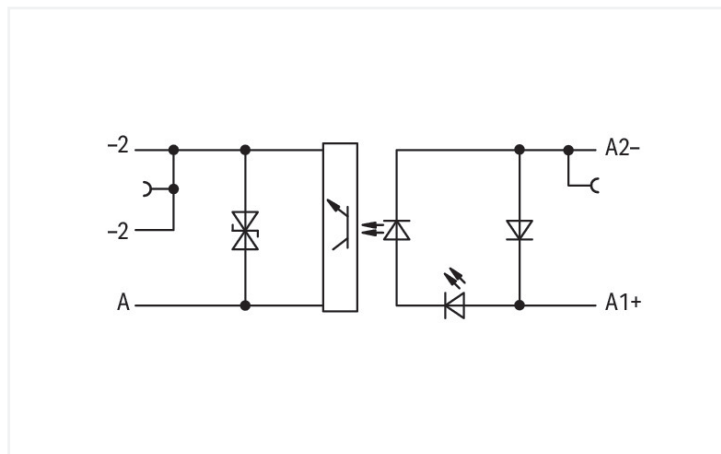
Optocoupler module; Nominal input voltage: 24 VDC; Output voltage range: 3 ... 30 VDC; Limiting continuous current: 0.1 A; 2-wire connection; Railway; Frequency: 10 kHz; Module width: 6 mm; gray



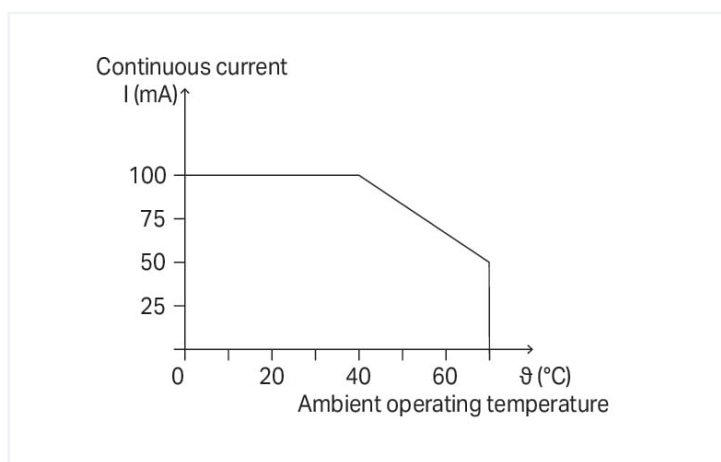
<https://www.wago.com/859-796>



Color: ■ gray



Dimensions in mm



Current-carrying capacity curve

Notes

Note

Optocouplers and solid state relays are designed for use in signal processing networks, which are not supplied by the low-voltage power supply networks.

Technical data

Control circuit

Nominal input voltage U_N	DC 24 V
Input voltage range (low level)	DC 0 ... 5 V
Input voltage range (high level)	DC 16.8 ... 30 V
Nominal input current at U_N	10 mA

Load circuit

Circuit type	2-wire connection
Limiting continuous current	0.1 A
Nominal output voltage	DC 24 V
Output voltage range	DC 3 ... 30 V
Voltage drop	≤ 1 VDC
Leakage current at rated voltage	≤ 25 μ A
Turn-on time	≤ 10 μ s
Turn-off time	≤ 50 μ s
Switching frequency	≤ 10 kHz

Signaling

Status indicator	Red LED
------------------	---------

Safety and protection

Rated voltage	300 V
Overvoltage category	II
Pollution degree	2
Dielectric strength (control/load circuit) (AC, 1 min)	2.5 kVrms
Insulation type (control/load circuit)	Basic insulation
Insulation type (between adjacent devices of the same type)	Reinforced insulation (safe isolation)
Insulation type (to adjacent devices of different types)	Basic insulation
Protection type	IP20; in connected state or when using 859-525 end plate

Connection data

Connection technology	CAGE CLAMP®
Solid conductor	0.08 ... 2.5 mm ² / 28 ... 14 AWG
Fine-stranded conductor	0.08 ... 2.5 mm ² / 28 ... 14 AWG
Fine-stranded conductor; with insulated ferrule	0.08 ... 1.5 mm ² / 28 ... 16 AWG
Strip length	5 ... 6 mm / 0.2 ... 0.24 inches

Physical data

Width	6 mm / 0.236 inches
Height	91 mm / 3.583 inches
Depth from upper-edge of DIN-rail	56 mm / 2.205 inches

Mechanical data

Mounting type	DIN-35 rail
Mounting position	horizontal (standing/lying); vertical

Material data

Color	gray
Fire load	0.338 MJ
Weight	18 g

Environmental requirements

Ambient temperature (operation at U _N)	-40 ... +70 °C
Ambient temperature (storage)	-40 ... +70 °C
Processing temperature	-25 ... +50 °C
Temperature range of connection cable	≥ (T _{ambient} + 20 K)
Relative humidity	5 ... 95 % (no condensation permissible)
Operating altitude (max.)	2000 m

Standards and specifications

Standards/specifications	EN 61010-2-201 EN 61000-6-2 EN 61000-6-3 EN 50121-3-2 EN 61373 UL 508
--------------------------	--

Commercial data

Product Group	6 (INTERFACE ELECTRONIC)
eCl@ss 10.0	27-26-15-03
eCl@ss 9.0	27-26-15-03
ETIM 8.0	EC001504
ETIM 7.0	EC001504
PU (SPU)	10 pcs
Packaging type	Box
Country of origin	CN
GTIN	4055143606479
Customs tariff number	85365005000

Environmental Product Compliance

CAS-No.	7439-92-1 79-94-7
REACH Candidate List Substance	2,2',6,6'-tetrabromo-4,4'-isopropylidenediphenol Lead
RoHS Compliance Status	Compliant,With Exemption
RoHS Exemption	7(a) 7(c)-I
SCIP notification number (Austria)	9951d363-e99a-4033-93e0-af4e9bdbe1b7
SCIP notification number (Belgium)	674d3247-f450-49e0-bda6-e7e731c4af74
SCIP notification number (Bulgaria)	bef9a2d1-7bb8-45ab-9fbf-967ce512246f
SCIP notification number (Czech Republic)	a72fa796-d647-4688-80c6-fade3a82ee13
SCIP notification number (Denmark)	66f0e4a4-6393-40d1-9ea3-557ad7c806e1
SCIP notification number (Finland)	90b586cb-7dd5-426d-aa20-c4f36d08958e
SCIP notification number (France)	e729d87d-b986-4875-be2c-da636908e864
SCIP notification number (Germany)	62f516e1-1fab-42bb-a240-da60e160f73f
SCIP notification number (Hungary)	d7e8983e-967c-40f5-b6d6-325d21aed843
SCIP notification number (Italy)	c56bb9ae-d883-4aad-a7d9-36d113811964
SCIP notification number (Netherlands)	0ae35fb0-23de-4059-8a4a-c85375185dbb
SCIP notification number (Poland)	b0ad811c-58df-46f0-a656-f344c07f37cc
SCIP notification number (Romania)	f1d5b252-e9be-4225-ab1a-7b237560f7a6
SCIP notification number (Sweden)	cb822140-e5ed-4d93-938a-01c9e25b4b27

Subject to changes. Please also observe the further product documentation!

Current addresses can be found at: www.wago.com