

# HWB-DIM-CDC-24V-30W

30W 5-in-1 Dimmable Electronic LED Hardwire Box, 24V  
Cove, Under Cabinet & Millwork

Job Information		
Project Name		Type
Location		
Quantity		Date
Contact/Phone		
Notes		

## Features

### Construction

Black painted aluminum enclosure with mounting tabs. IP20 rated for indoor use. Six 7/8" knockouts to enable easy installation that complies with electrical code requirements.

### AC Input Details

- Voltage range: 100-277V
- Current: 0.5A
- Frequency range: 47 - 63 Hz
- No load power consumption: <5W
- Leakage current: <0.5mA

### DC Output Details

- Voltage: 24V
- Current: 1.25A
- Working efficiency: 79%@120VAC / 80%@277VAC

### Environmental Requirements

-40°C~60°C (-40°F~140°F)

### Circuit Protection

Open and short circuit protection.  
Auto-reset functionality automatically reset once the condition is resolved.

Auto-recover over load protection.  
Over temperature protection with auto recovery after cooling.

### Dimming

Compatible with forward and reverse phase, ELV, TRIAC and 0-10V dimmers. See page 2 for compatible dimmers.

### Connectivity

18AWG input/output leads. Input side equipped with push-in connectors, while output side is equipped with bloc connector.

### Compatibility

Compatible with all 24 volt LED lighting fixtures.

### Approvals

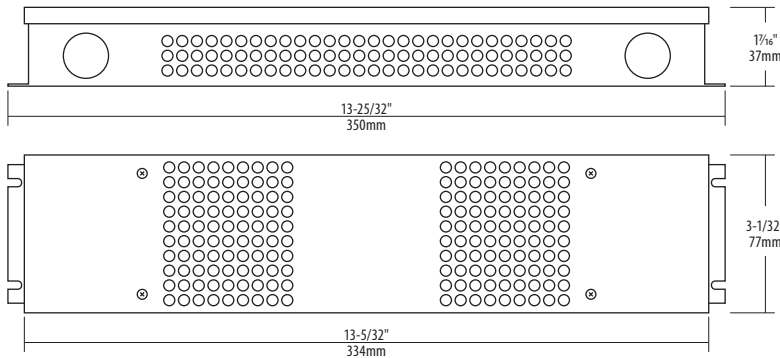
- Class 2
- cULus Listed

SPECIFICATIONS	
Application	Undercabinet
Approved Location	Dry / Damp
Certification	cULus
Classification	Class II
Color	BK
Dimming	Yes
Dimming Tech.	Forward/reverse phase / ELV / TRIAC / 0-10V
Frequency	47 - 63 Hz
Input Current	0.5A
Link Connector	Hard Wire
Max. Op. Temp. °C	60°C (140°F)
Min. Start Temp. °C	-40°C (-40°F)
Output Current	1.25A
Power Factor	0.99@120VAC 0.95@277VAC
Power Supply Type	Constant Voltage
Primary Voltage	100-277V AC
Secondary Voltage	24V DC
Warranty	5 Years
Wattage	30W



## Description

The CDC driver is a full solution supporting forward & reverse phase dimming, ELV, TRIAC as well as 0-10V dimming types. The CDC driver is a 24V dimmable electronic LED hardwire box with 30W, 60W and 96W options for maintaining constant voltage.



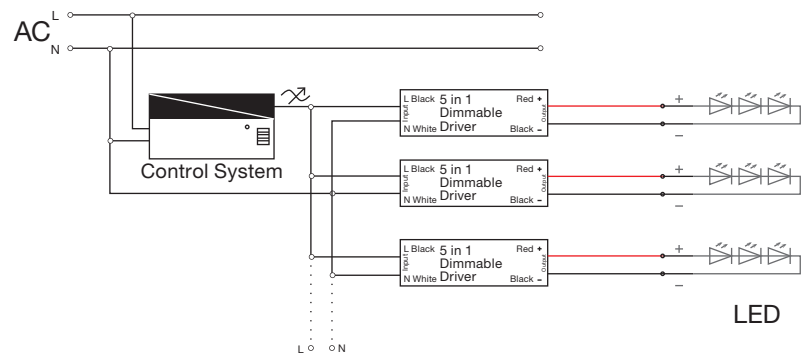
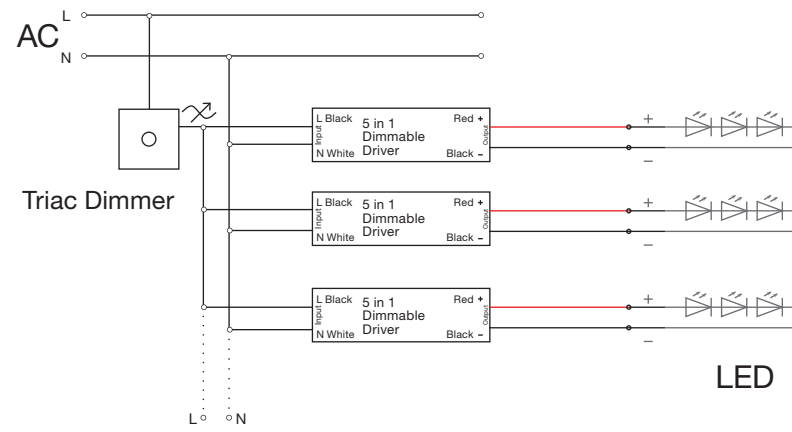
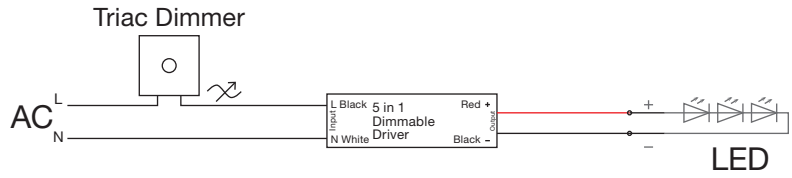
**Notes:** Accessories should be ordered separately. For additional options please consult your Liteline representative. Due to our continued efforts to improve our products, product specifications are subject to change without notice.

## Ordering Guide



**HWB-DIM-CDC-24V-30W**  
30W dimmable class 2 power supply, 24V.

# Wiring Diagrams for Triac Dimmers



# Wiring Diagrams for 0-10V Dimmers

